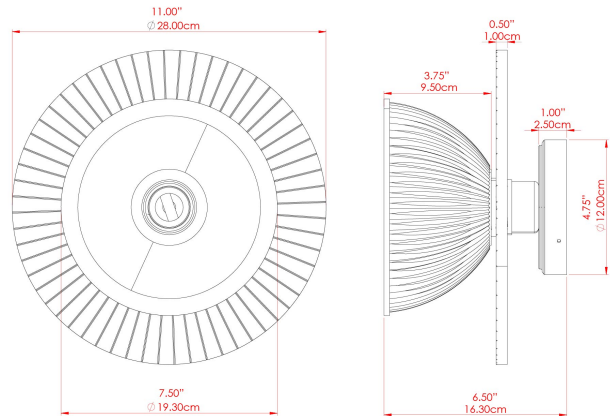


SORAYA Ceramic Wall Light

MLCMWL025ANTBRS Antique Brass



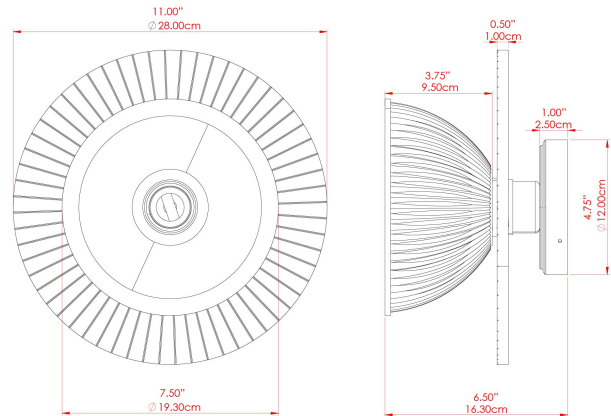
MATERIAL	Brass Ceramic Glass
HEIGHT	n/a
WIDTH DIAMETER	28cm
LENGTH PROJECTION	15.5cm
WEIGHT	2 kg
LAMPHOLDER	E27
MAX WATTAGE	40W
VOLTAGE	220/240v
IP RATING	IP20
CLASS PROTECTION	Class I
SHADE	GL096 MLCS032
FLEX BAR CHAIN LENGTH	n/a
CABLE TYPE	-

FIXING BRACKET: MLWB17



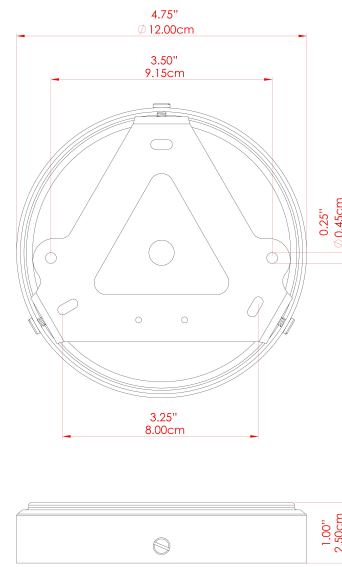
SORAYA Ceramic Wall Light

MLCMWL025ANTSLV Antique Silver



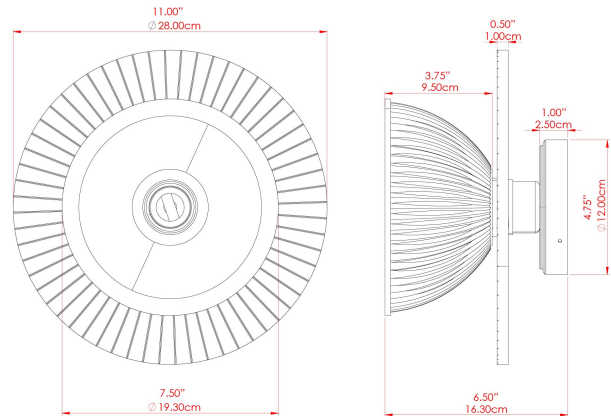
MATERIAL	Brass Ceramic Glass
HEIGHT	n/a
WIDTH DIAMETER	28cm
LENGTH PROJECTION	15.5cm
WEIGHT	2 kg
LAMPHOLDER	E27
MAX WATTAGE	40W
VOLTAGE	220/240v
IP RATING	IP20
CLASS PROTECTION	Class I
SHADE	GL096 MLCS032
FLEX BAR CHAIN LENGTH	n/a
CABLE TYPE	-

FIXING BRACKET: MLWB17



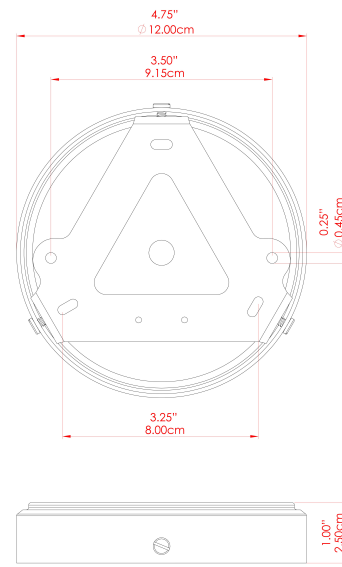
SORAYA Ceramic Wall Light

MLCMWL025PCMBK Matt Black



MATERIAL	Brass Ceramic Glass
HEIGHT	n/a
WIDTH DIAMETER	28cm
LENGTH PROJECTION	15.5cm
WEIGHT	2 kg
LAMPHOLDER	E27
MAX WATTAGE	40W
VOLTAGE	220/240v
IP RATING	IP20
CLASS PROTECTION	Class I
SHADE	GL096 MLCS032
FLEX BAR CHAIN LENGTH	n/a
CABLE TYPE	-

FIXING BRACKET: MLWB17



WWW.MULLANLIGHTING.COM

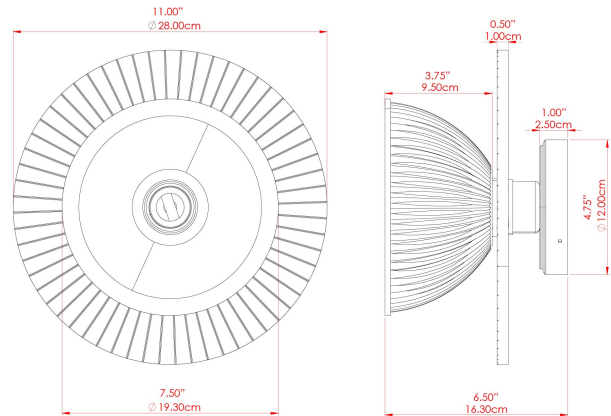
Product Notes:

1) Bulbs not included. 2) Dimensions do not include bulbs. 3) All products are individually made-to-order and therefore may differ slightly within manufacturing tolerances. 4) Cable / chain can be shortened during installation. Longer cable / chain lengths available on request. 5) Additional colour finishes may be available on request. 6) Refer to our website for a full list of terms and conditions.



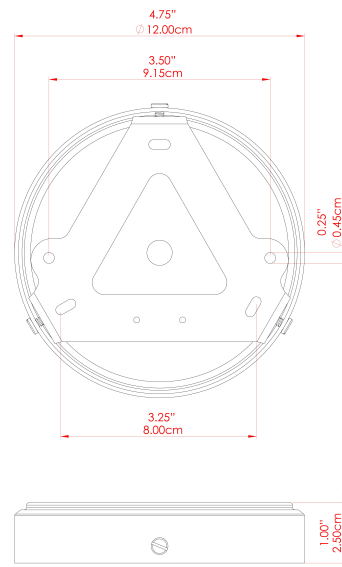
SORAYA Ceramic Wall Light

MLCMWL025POLBRS Polished Brass



MATERIAL	Brass Ceramic Glass
HEIGHT	n/a
WIDTH DIAMETER	28cm
LENGTH PROJECTION	15.5cm
WEIGHT	2 kg
LAMPHOLDER	E27
MAX WATTAGE	40W
VOLTAGE	220/240v
IP RATING	IP20
CLASS PROTECTION	Class I
SHADE	GL096 MLCS032
FLEX BAR CHAIN LENGTH	n/a
CABLE TYPE	-

FIXING BRACKET: MLWB17

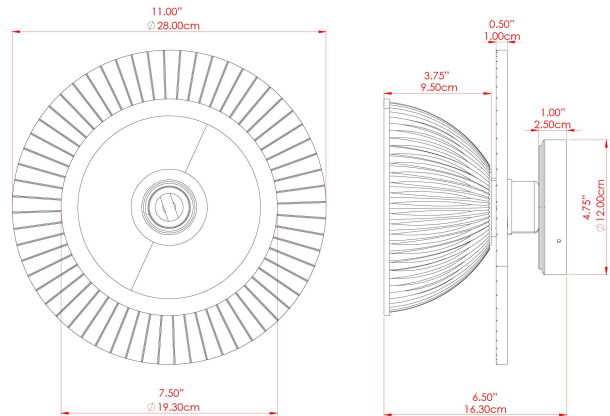


SORAYA Ceramic Wall Light

MLCMWL025SATBRS Satin Brass



SATIN BRASS



MATERIAL	Brass Ceramic Glass
HEIGHT	n/a
WIDTH DIAMETER	28cm
LENGTH PROJECTION	15.5cm
WEIGHT	2 kg
LAMPHOLDER	E27
MAX WATTAGE	40W
VOLTAGE	220/240v
IP RATING	IP20
CLASS PROTECTION	Class I
SHADE	GL096 MLCS032
FLEX BAR CHAIN LENGTH	n/a
CABLE TYPE	-

FIXING BRACKET: MLWB17

