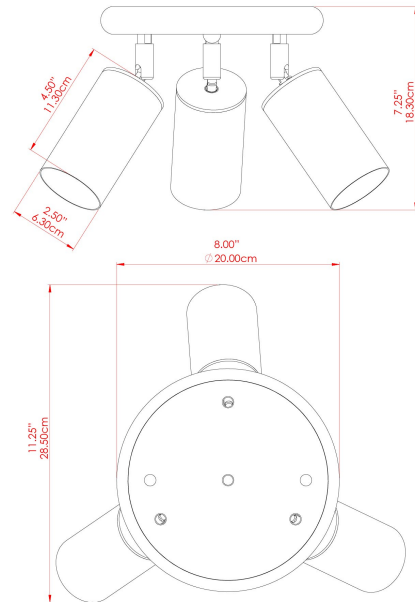


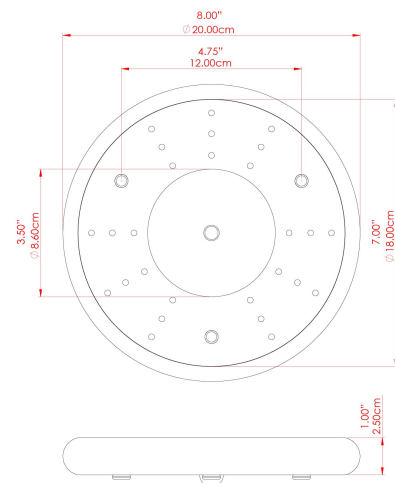
EVANSTON Ceiling Light

MLCF133ANTBRS Antique Brass



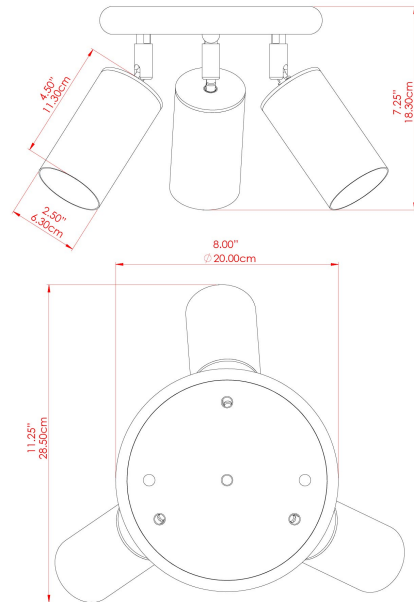
MATERIAL	Brass
HEIGHT	19cm
WIDTH DIAMETER	20cm
LENGTH PROJECTION	n/a
WEIGHT	2.3 kg
LAMPHOLDER	GU10
MAX WATTAGE	5W
VOLTAGE	220/240v
IP RATING	IP20
CLASS PROTECTION	Class I
SHADE	-
FLEX BAR CHAIN LENGTH	n/a
CABLE TYPE	MLCA009 Black PVC Flexible Cable 2 Core

FIXING BRACKET: MLWB28ANTBRS



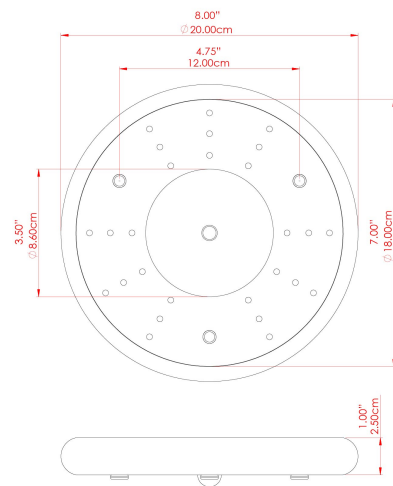
EVANSTON Ceiling Light

MLCF133ANTSLV Antique Silver



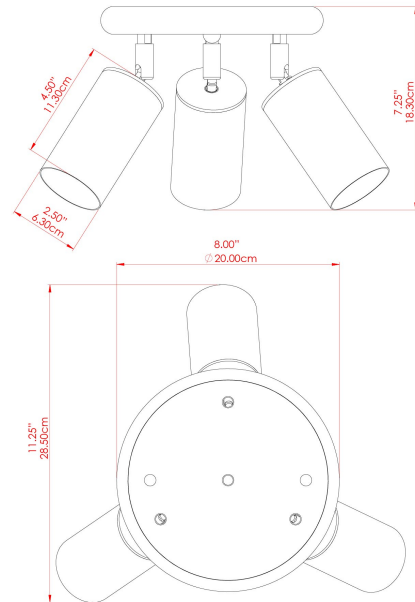
MATERIAL	Brass
HEIGHT	19cm
WIDTH DIAMETER	20cm
LENGTH PROJECTION	n/a
WEIGHT	2.3 kg
LAMPHOLDER	GU10
MAX WATTAGE	5W
VOLTAGE	220/240v
IP RATING	IP20
CLASS PROTECTION	Class I
SHADE	-
FLEX BAR CHAIN LENGTH	n/a
CABLE TYPE	MLCA009 Black PVC Flexible Cable 2 Core

FIXING BRACKET: MLWB28ANTSLV



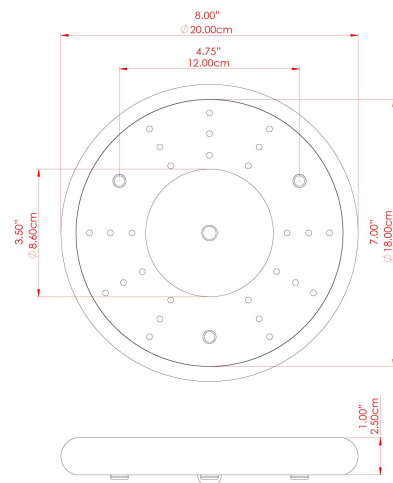
EVANSTON Ceiling Light

MLCF133NATBRS Natural Brass



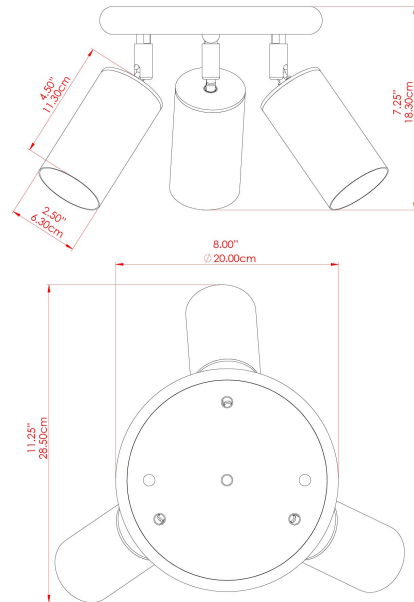
MATERIAL	Brass
HEIGHT	19cm
WIDTH DIAMETER	20cm
LENGTH PROJECTION	n/a
WEIGHT	2.3 kg
LAMPHOLDER	GU10
MAX WATTAGE	5W
VOLTAGE	220/240v
IP RATING	IP20
CLASS PROTECTION	Class I
SHADE	-
FLEX BAR CHAIN LENGTH	n/a
CABLE TYPE	MLCA009 Black PVC Flexible Cable 2 Core

FIXING BRACKET: MLWB28NATBRS



EVANSTON Ceiling Light

MLCF133POLBRS Polished Brass

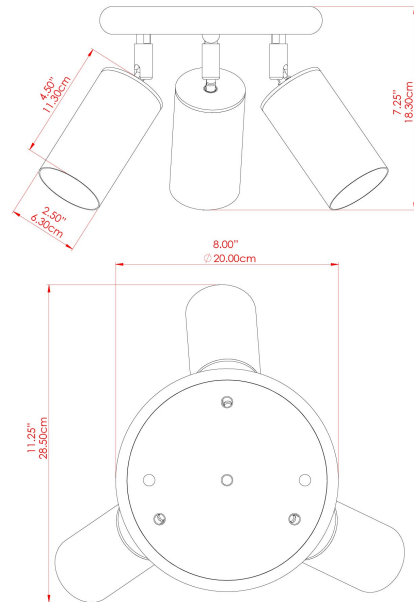


MATERIAL	Brass
HEIGHT	19cm
WIDTH DIAMETER	20cm
LENGTH PROJECTION	n/a
WEIGHT	2.3 kg
LAMPHOLDER	GU10
MAX WATTAGE	5W
VOLTAGE	220/240v
IP RATING	IP20
CLASS PROTECTION	Class I
SHADE	-
FLEX BAR CHAIN LENGTH	n/a
CABLE TYPE	MLCA009 Black PVC Flexible Cable 2 Core

FIXING BRACKET: MLWL28POLBRS

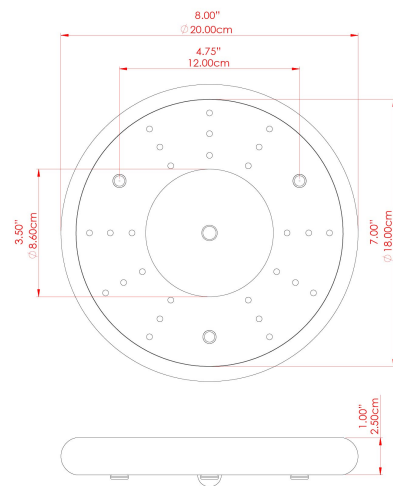
EVANSTON Ceiling Light

MLCF133PCMBK Matt Black



MATERIAL	Brass
HEIGHT	19cm
WIDTH DIAMETER	20cm
LENGTH PROJECTION	n/a
WEIGHT	2.3 kg
LAMPHOLDER	GU10
MAX WATTAGE	5W
VOLTAGE	220/240v
IP RATING	IP20
CLASS PROTECTION	Class I
SHADE	-
FLEX BAR CHAIN LENGTH	n/a
CABLE TYPE	MLCA009 Black PVC Flexible Cable 2 Core

FIXING BRACKET: MLWB28PCMBK



WWW.MULLANLIGHTING.COM

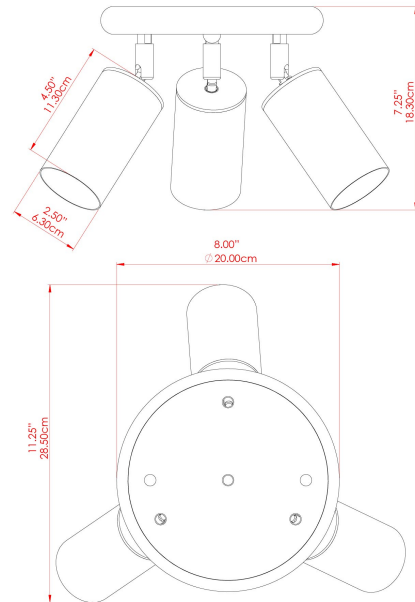
Product Notes:

1) Bulbs not included. 2) Dimensions do not include bulbs. 3) All products are individually made-to-order and therefore may differ slightly within manufacturing tolerances. 4) Cable / chain can be shortened during installation. Longer cable / chain lengths available on request. 5) Additional colour finishes may be available on request. 6) Refer to our website for a full list of terms and conditions.



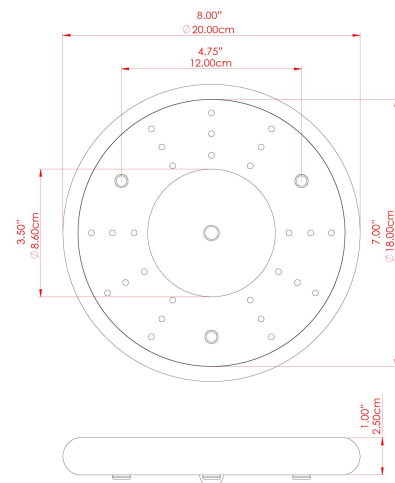
EVANSTON Ceiling Light

MLCF133PCWTE White



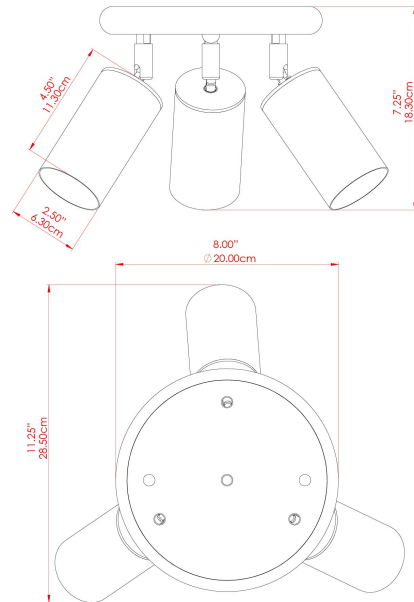
MATERIAL	Brass
HEIGHT	19cm
WIDTH DIAMETER	20cm
LENGTH PROJECTION	n/a
WEIGHT	2.3 kg
LAMPHOLDER	GU10
MAX WATTAGE	5W
VOLTAGE	220/240v
IP RATING	IP20
CLASS PROTECTION	Class I
SHADE	-
FLEX BAR CHAIN LENGTH	n/a
CABLE TYPE	MLCA009 Black PVC Flexible Cable 2 Core

FIXING BRACKET: MLWB28PCWTE



EVANSTON Ceiling Light

MLCF133SATBRS Satin Brass



MATERIAL	Brass
HEIGHT	19cm
WIDTH DIAMETER	20cm
LENGTH PROJECTION	n/a
WEIGHT	2.3 kg
LAMPHOLDER	GU10
MAX WATTAGE	5W
VOLTAGE	220/240v
IP RATING	IP20
CLASS PROTECTION	Class I
SHADE	-
FLEX BAR CHAIN LENGTH	n/a
CABLE TYPE	MLCA009 Black PVC Flexible Cable 2 Core

FIXING BRACKET: MLWB28SATBRS

