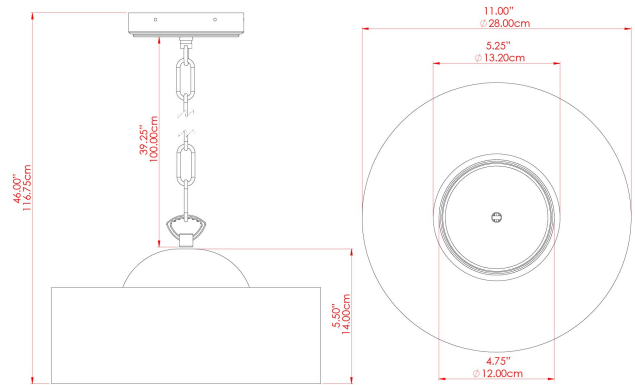


SEVILLE Ceramic Pendant

MLCMP083ANTBRS Antique Brass



MATERIAL	Brass Ceramic
HEIGHT	15.5cm
WIDTH DIAMETER	28cm
LENGTH PROJECTION	n/a
WEIGHT	3.5 kg
LAMPHOLDER	E27
MAX WATTAGE	40W
VOLTAGE	220/240v
IP RATING	IP20
CLASS PROTECTION	Class I
SHADE	MLL037 MLCS085
FLEX BAR CHAIN LENGTH	100cm
CABLE TYPE	MLCA010 Brown PVC Flexible Cable 2 Core

FIXING BRACKET: MLWB17

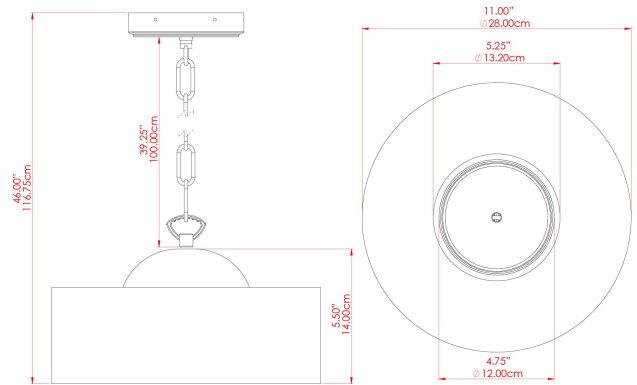


Product Notes:
 1) Bulbs not included. 2) Dimensions do not include bulbs. 3) All products are individually made-to-order and therefore may differ slightly within manufacturing tolerances. 4) Cable / chain can be shortened during installation. Longer cable / chain lengths available on request. 5) Additional colour finishes may be available on request. 6) Refer to our website for a full list of terms and conditions.



SEVILLE Ceramic Pendant

MLCMP083ANTSLV Antique Silver



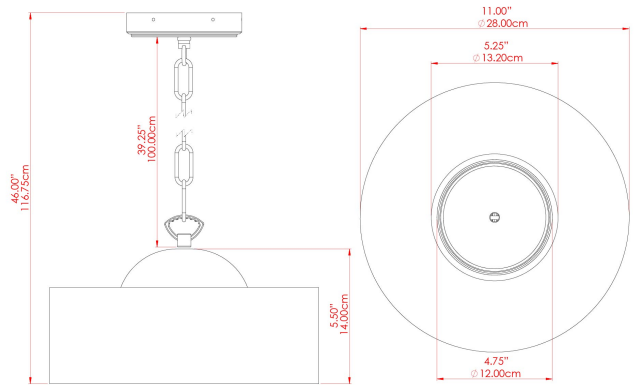
MATERIAL	Brass Ceramic
HEIGHT	15.5cm
WIDTH DIAMETER	28cm
LENGTH PROJECTION	n/a
WEIGHT	3.5 kg
LAMPHOLDER	E27
MAX WATTAGE	40W
VOLTAGE	220/240v
IP RATING	IP20
CLASS PROTECTION	Class I
SHADE	MLL037 MLCS085
FLEX BAR CHAIN LENGTH	100cm
CABLE TYPE	MLCA014 Clear PVC Flexible Cable 2 Core

FIXING BRACKET: MLWB17



SEVILLE Ceramic Pendant

MLCMP083PCMBK Matt Black



MATERIAL	Brass Ceramic
HEIGHT	15.5cm
WIDTH DIAMETER	28cm
LENGTH PROJECTION	n/a
WEIGHT	3.5 kg
LAMPHOLDER	E27
MAX WATTAGE	40W
VOLTAGE	220/240v
IP RATING	IP20
CLASS PROTECTION	Class I
SHADE	MLL037 MLCS085
FLEX BAR CHAIN LENGTH	100cm
CABLE TYPE	MLCA009 Black PVC Flexible Cable 2 Core

FIXING BRACKET: MLWB17

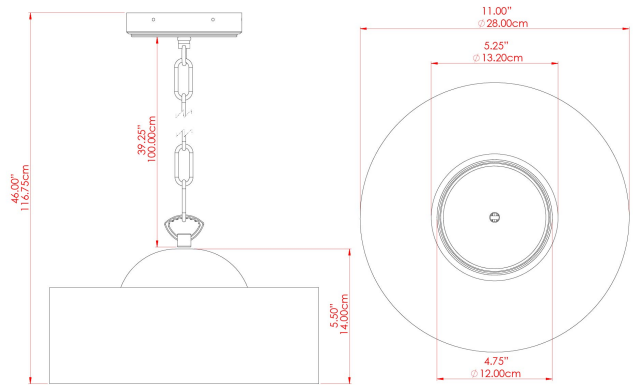


Product Notes:
 1) Bulbs not included. 2) Dimensions do not include bulbs. 3) All products are individually made-to-order and therefore may differ slightly within manufacturing tolerances. 4) Cable / chain can be shortened during installation. Longer cable / chain lengths available on request. 5) Additional colour finishes may be available on request. 6) Refer to our website for a full list of terms and conditions.



SEVILLE Ceramic Pendant

MLCMP083POLBRS Polished Brass



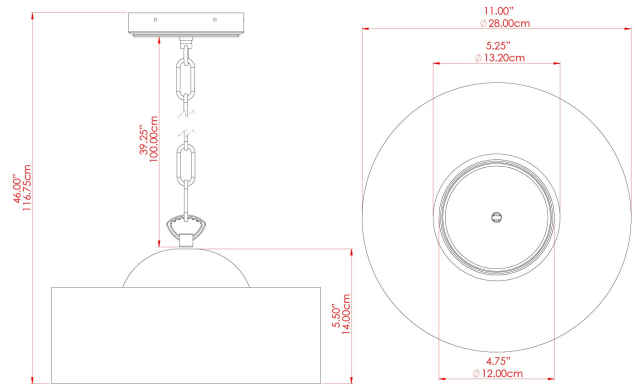
MATERIAL	Brass Ceramic
HEIGHT	15.5cm
WIDTH DIAMETER	28cm
LENGTH PROJECTION	n/a
WEIGHT	3.5 kg
LAMPHOLDER	E27
MAX WATTAGE	40W
VOLTAGE	220/240v
IP RATING	IP20
CLASS PROTECTION	Class I
SHADE	MLL037 MLCS085
FLEX BAR CHAIN LENGTH	100cm
CABLE TYPE	MLCA038 Gold PVC Flexible Cable 2 Core

FIXING BRACKET: MLWB17



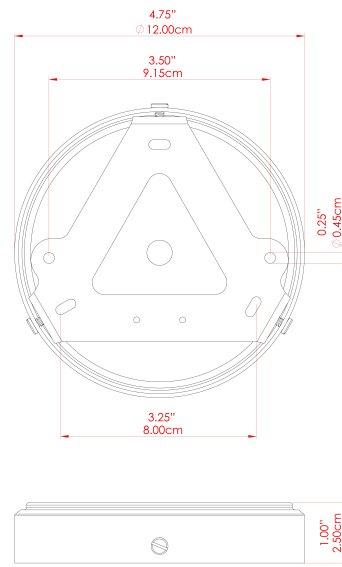
SEVILLE Ceramic Pendant

MLCMP083SATBRS Satin Brass



MATERIAL	Brass Ceramic
HEIGHT	15.5cm
WIDTH DIAMETER	28cm
LENGTH PROJECTION	n/a
WEIGHT	3.5 kg
LAMPHOLDER	E27
MAX WATTAGE	40W
VOLTAGE	220/240v
IP RATING	IP20
CLASS PROTECTION	Class I
SHADE	MLL037 MLCS085
FLEX BAR CHAIN LENGTH	100cm
CABLE TYPE	MLCA038 Gold PVC Flexible Cable 2 Core

FIXING BRACKET: MLWB17



Product Notes:
 1) Bulbs not included. 2) Dimensions do not include bulbs. 3) All products are individually made-to-order and therefore may differ slightly within manufacturing tolerances. 4) Cable / chain can be shortened during installation. Longer cable / chain lengths available on request. 5) Additional colour finishes may be available on request. 6) Refer to our website for a full list of terms and conditions.

