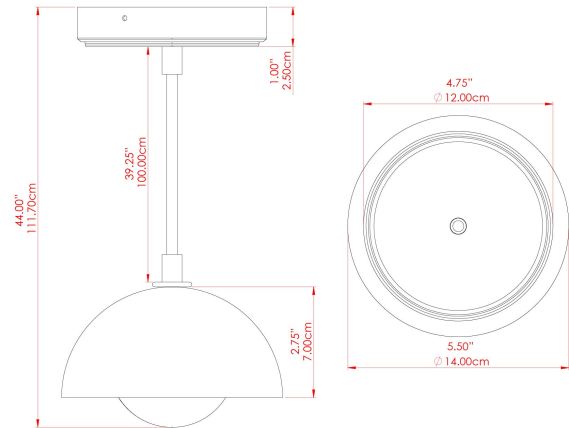


# PANDO Ceramic Pendant

# MLCMP076ANTBRS Antique Brass



MATERIAL	Brass   Ceramic
HEIGHT	30cm
WIDTH   DIAMETER	14cm
LENGTH   PROJECTION	n/a
WEIGHT	1.1 kg
LAMPHOLDER	E27
MAX WATTAGE	40W
VOLTAGE	220/240v
IP RATING	IP20
CLASS PROTECTION	Class I
SHADE	MLCS075
FLEX   BAR   CHAIN LENGTH	100cm
CABLE TYPE	MLCA047   Brown Fabric Braided Cable   2 Core Round

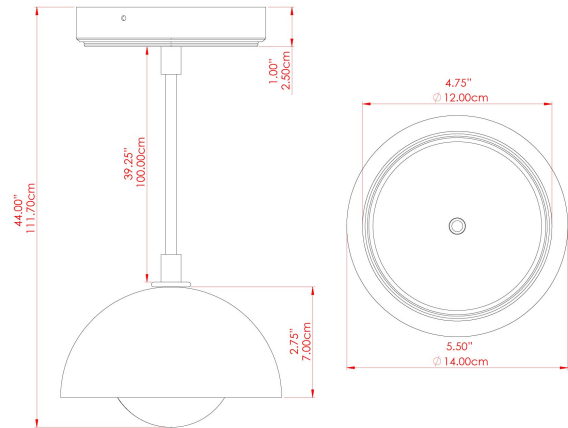
### FIXING BRACKET: MLWB17



Product Notes:  
 1) Bulbs not included. 2) Dimensions do not include bulbs. 3) All products are individually made-to-order and therefore may differ slightly within manufacturing tolerances. 4) Cable / chain can be shortened during installation. Longer cable / chain lengths available on request. 5) Additional colour finishes may be available on request. 6) Refer to our website for a full list of terms and conditions.

# PANDO Ceramic Pendant

MLCMP076ANTSLV Antique Silver



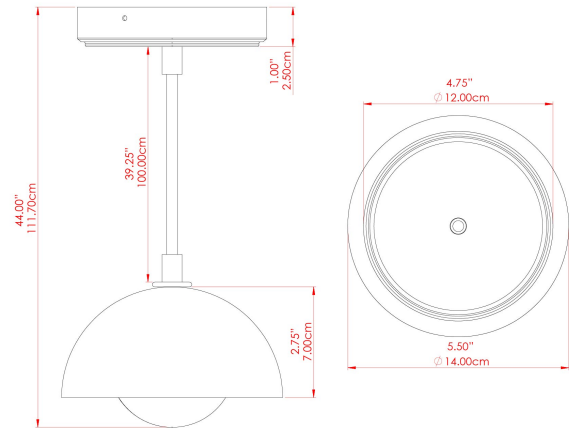
MATERIAL	Brass   Ceramic
HEIGHT	30cm
WIDTH   DIAMETER	14cm
LENGTH   PROJECTION	n/a
WEIGHT	1.1 kg
LAMPHOLDER	E27
MAX WATTAGE	40W
VOLTAGE	220/240v
IP RATING	IP20
CLASS PROTECTION	Class I
SHADE	MLCS075
FLEX   BAR   CHAIN LENGTH	100cm
CABLE TYPE	MLCA028   Black Fabric Braided Cable   2 Core Round

### FIXING BRACKET: MLWB17



# PANDO Ceramic Pendant

MLCMP076PCMBK Matt Black



MATERIAL	Brass   Ceramic
HEIGHT	30cm
WIDTH   DIAMETER	14cm
LENGTH   PROJECTION	n/a
WEIGHT	1.1 kg
LAMPHOLDER	E27
MAX WATTAGE	40W
VOLTAGE	220/240v
IP RATING	IP20
CLASS PROTECTION	Class I
SHADE	MLCS075
FLEX   BAR   CHAIN LENGTH	100cm
CABLE TYPE	MLCA028   Black Fabric Braided Cable   2 Core Round

## FIXING BRACKET: MLWB17

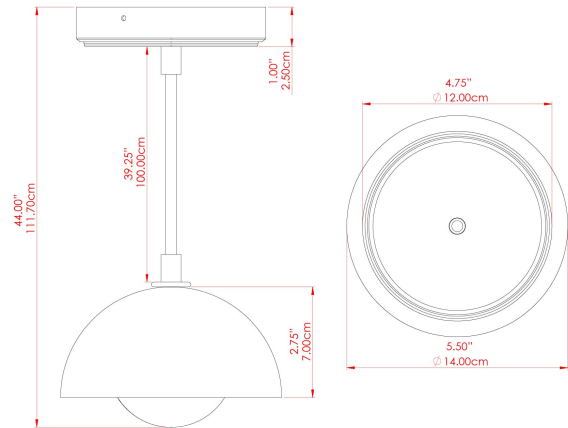


Product Notes:  
 1) Bulbs not included. 2) Dimensions do not include bulbs. 3) All products are individually made-to-order and therefore may differ slightly within manufacturing tolerances. 4) Cable / chain can be shortened during installation. Longer cable / chain lengths available on request. 5) Additional colour finishes may be available on request. 6) Refer to our website for a full list of terms and conditions.



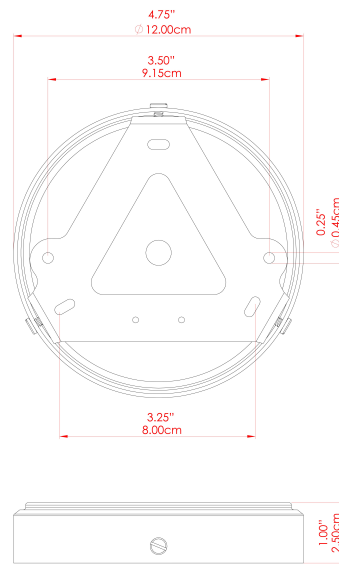
# PANDO Ceramic Pendant

# MLCMP076POLBRS Polished Brass



MATERIAL	Brass   Ceramic
HEIGHT	30cm
WIDTH   DIAMETER	14cm
LENGTH   PROJECTION	n/a
WEIGHT	1.1 kg
LAMPHOLDER	E27
MAX WATTAGE	40W
VOLTAGE	220/240v
IP RATING	IP20
CLASS PROTECTION	Class I
SHADE	MLCS075
FLEX   BAR   CHAIN LENGTH	100cm
CABLE TYPE	MLCA028   Black Fabric Braided Cable   2 Core Round

### FIXING BRACKET: MLWB17

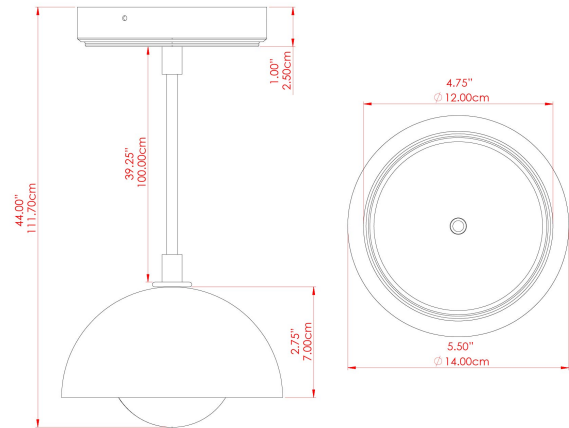


Product Notes:  
 1) Bulbs not included. 2) Dimensions do not include bulbs. 3) All products are individually made-to-order and therefore may differ slightly within manufacturing tolerances. 4) Cable / chain can be shortened during installation. Longer cable / chain lengths available on request. 5) Additional colour finishes may be available on request. 6) Refer to our website for a full list of terms and conditions.



# PANDO Ceramic Pendant

MLCMP076SATBRS Satin Brass



MATERIAL	Brass   Ceramic
HEIGHT	30cm
WIDTH   DIAMETER	14cm
LENGTH   PROJECTION	n/a
WEIGHT	1.1 kg
LAMPHOLDER	E27
MAX WATTAGE	40W
VOLTAGE	220/240v
IP RATING	IP20
CLASS PROTECTION	Class I
SHADE	MLCS075
FLEX   BAR   CHAIN LENGTH	100cm
CABLE TYPE	MLCA028   Black Fabric Braided Cable   2 Core Round

## FIXING BRACKET: MLWB17

