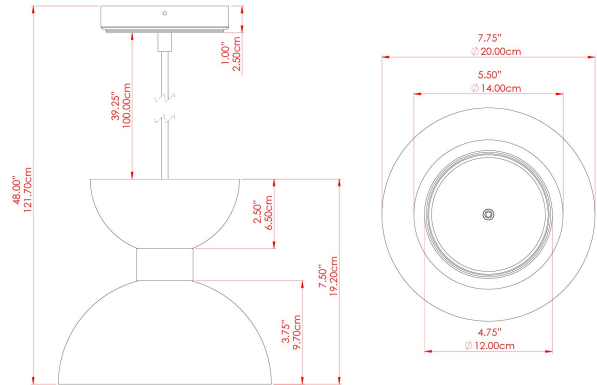


NAKAI Ceramic Pendant

MLCMP069ANTBRSL Antique Brass



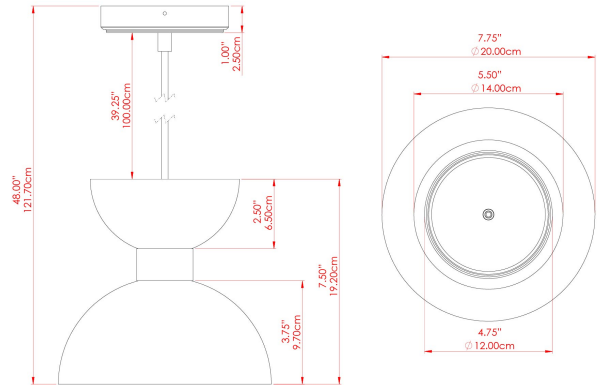
MATERIAL	Brass Ceramic
HEIGHT	20cm
WIDTH DIAMETER	20cm
LENGTH PROJECTION	n/a
WEIGHT	2 kg
LAMPHOLDER	G9
MAX WATTAGE	6.5W
VOLTAGE	220/240v
IP RATING	IP20
CLASS PROTECTION	Class I
SHADE	GL196 MLCS087 MLCS088
FLEX BAR CHAIN LENGTH	100cm
CABLE TYPE	MLCA047 Brown Fabric Braided Cable 2 Core Round

FIXING BRACKET: MLWB17



NAKAI Ceramic Pendant

MLCMP069ANTBRSFR Antique Brass



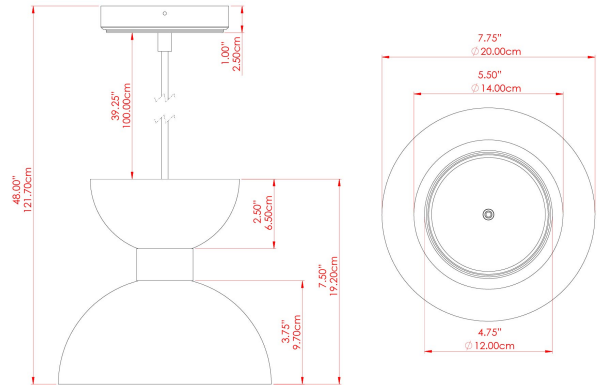
MATERIAL	Brass Ceramic
HEIGHT	20cm
WIDTH DIAMETER	20cm
LENGTH PROJECTION	n/a
WEIGHT	2 kg
LAMPHOLDER	G9
MAX WATTAGE	6.5W
VOLTAGE	220/240v
IP RATING	IP20
CLASS PROTECTION	Class I
SHADE	GL208 MLCS087 MLCS088
FLEX BAR CHAIN LENGTH	100cm
CABLE TYPE	MLCA047 Brown Fabric Braided Cable 2 Core Round

FIXING BRACKET: MLWB17



NAKAI Ceramic Pendant

MLCMP069ANTBRSOP Antique Brass



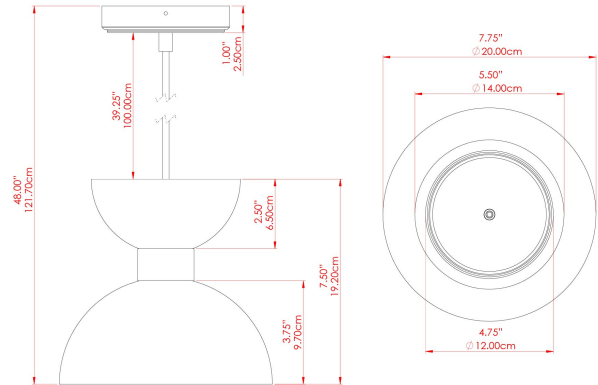
MATERIAL	Brass Ceramic
HEIGHT	20cm
WIDTH DIAMETER	20cm
LENGTH PROJECTION	n/a
WEIGHT	2 kg
LAMPHOLDER	G9
MAX WATTAGE	6.5W
VOLTAGE	220/240v
IP RATING	IP20
CLASS PROTECTION	Class I
SHADE	GL192 MLCS087 MLCS088
FLEX BAR CHAIN LENGTH	100cm
CABLE TYPE	MLCA047 Brown Fabric Braided Cable 2 Core Round

FIXING BRACKET: MLWB17



NAKAI Ceramic Pendant

MLCMP069ANTSLVCL Antique Silver



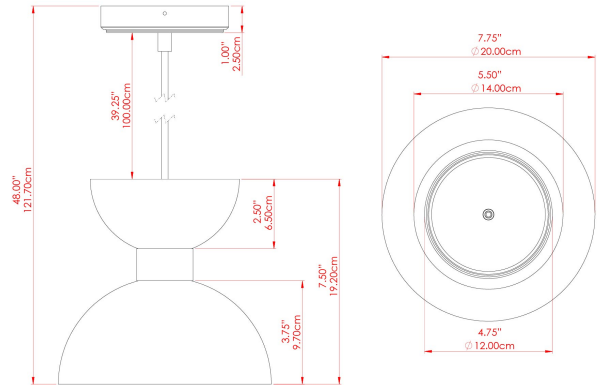
MATERIAL	Brass Ceramic
HEIGHT	20cm
WIDTH DIAMETER	20cm
LENGTH PROJECTION	n/a
WEIGHT	2 kg
LAMPHOLDER	G9
MAX WATTAGE	6.5W
VOLTAGE	220/240v
IP RATING	IP20
CLASS PROTECTION	Class I
SHADE	GL196 MLCS087 MLCS088
FLEX BAR CHAIN LENGTH	100cm
CABLE TYPE	MLCA028 Black Fabric Braided Cable 2 Core Round

FIXING BRACKET: MLWB17



NAKAI Ceramic Pendant

MLCMP069ANTSLVFR Antique Silver



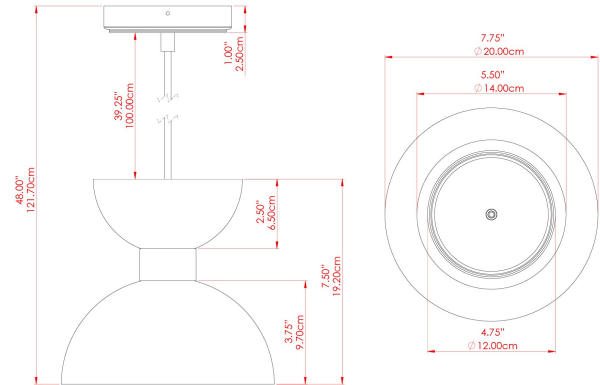
MATERIAL	Brass Ceramic
HEIGHT	20cm
WIDTH DIAMETER	20cm
LENGTH PROJECTION	n/a
WEIGHT	2 kg
LAMPHOLDER	G9
MAX WATTAGE	6.5W
VOLTAGE	220/240v
IP RATING	IP20
CLASS PROTECTION	Class I
SHADE	GL208 MLCS087 MLCS088
FLEX BAR CHAIN LENGTH	100cm
CABLE TYPE	MLCA028 Black Fabric Braided Cable 2 Core Round

FIXING BRACKET: MLWB17



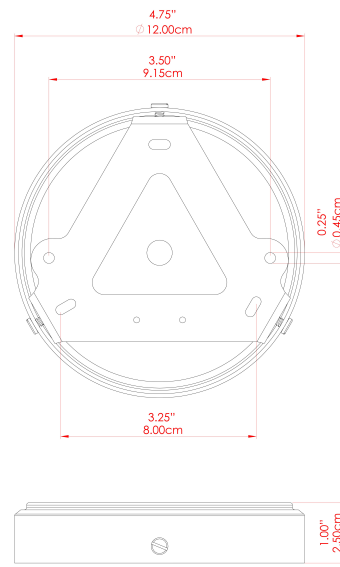
NAKAI Ceramic Pendant

MLCMP069ANTSLVOP Antique Silver



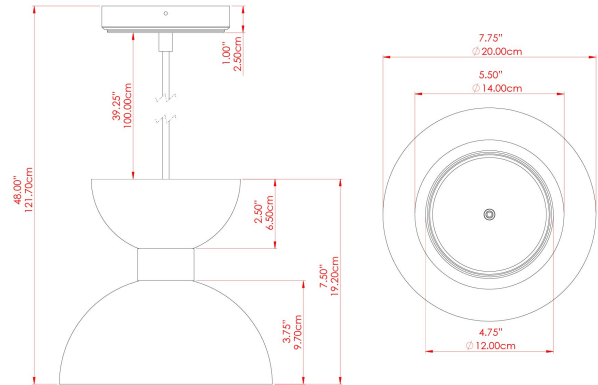
MATERIAL	Brass Ceramic
HEIGHT	20cm
WIDTH DIAMETER	20cm
LENGTH PROJECTION	n/a
WEIGHT	2 kg
LAMPHOLDER	G9
MAX WATTAGE	6.5W
VOLTAGE	220/240v
IP RATING	IP20
CLASS PROTECTION	Class I
SHADE	GL192 MLCS087 MLCS088
FLEX BAR CHAIN LENGTH	100cm
CABLE TYPE	MLCA028 Black Fabric Braided Cable 2 Core Round

FIXING BRACKET: MLWB17



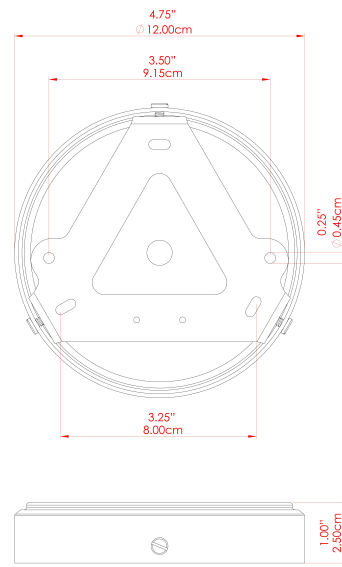
NAKAI Ceramic Pendant

MLCMP069PCMBKCL Matt Black



MATERIAL	Brass Ceramic
HEIGHT	20cm
WIDTH DIAMETER	20cm
LENGTH PROJECTION	n/a
WEIGHT	2 kg
LAMPHOLDER	G9
MAX WATTAGE	6.5W
VOLTAGE	220/240v
IP RATING	IP20
CLASS PROTECTION	Class I
SHADE	GL196 MLCS087 MLCS088
FLEX BAR CHAIN LENGTH	100cm
CABLE TYPE	MLCA028 Black Fabric Braided Cable 2 Core Round

FIXING BRACKET: MLWB17



WWW.MULLANLIGHTING.COM

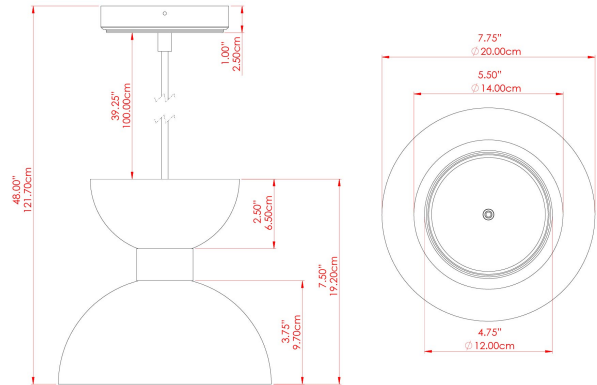
Product Notes:

1) Bulbs not included. 2) Dimensions do not include bulbs. 3) All products are individually made-to-order and therefore may differ slightly within manufacturing tolerances. 4) Cable / chain can be shortened during installation. Longer cable / chain lengths available on request. 5) Additional colour finishes may be available on request. 6) Refer to our website for a full list of terms and conditions.



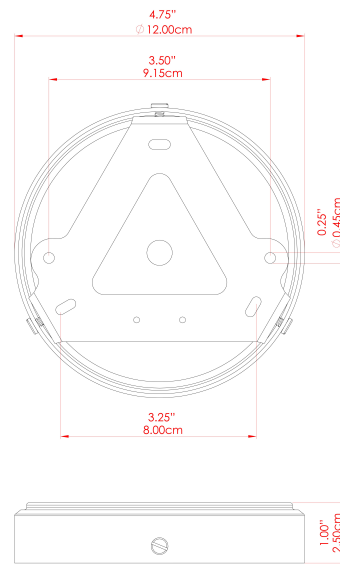
NAKAI Ceramic Pendant

MLCMP069PCMBKFR Matt Black



MATERIAL	Brass Ceramic
HEIGHT	20cm
WIDTH DIAMETER	20cm
LENGTH PROJECTION	n/a
WEIGHT	2 kg
LAMPHOLDER	G9
MAX WATTAGE	6.5W
VOLTAGE	220/240v
IP RATING	IP20
CLASS PROTECTION	Class I
SHADE	GL208 MLCS087 MLCS088
FLEX BAR CHAIN LENGTH	100cm
CABLE TYPE	MLCA028 Black Fabric Braided Cable 2 Core Round

FIXING BRACKET: MLWB17



WWW.MULLANLIGHTING.COM

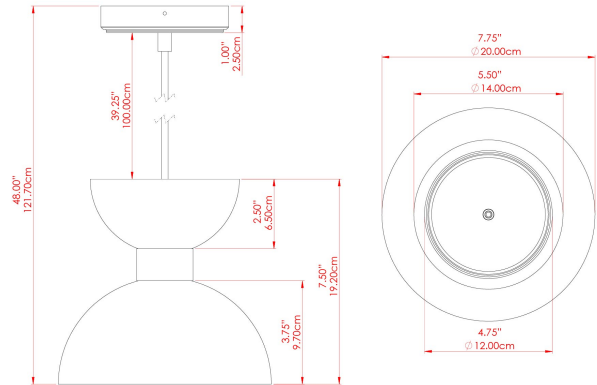
Product Notes:

1) Bulbs not included. 2) Dimensions do not include bulbs. 3) All products are individually made-to-order and therefore may differ slightly within manufacturing tolerances. 4) Cable / chain can be shortened during installation. Longer cable / chain lengths available on request. 5) Additional colour finishes may be available on request. 6) Refer to our website for a full list of terms and conditions.



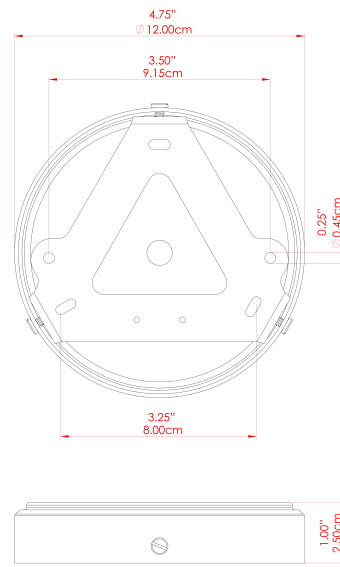
NAKAI Ceramic Pendant

MLCMP069PCMBKOP Matt Black



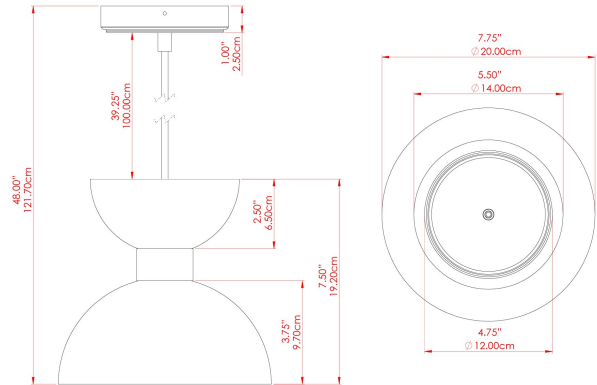
MATERIAL	Brass Ceramic
HEIGHT	20cm
WIDTH DIAMETER	20cm
LENGTH PROJECTION	n/a
WEIGHT	2 kg
LAMPHOLDER	G9
MAX WATTAGE	6.5W
VOLTAGE	220/240v
IP RATING	IP20
CLASS PROTECTION	Class I
SHADE	GL192 MLCS087 MLCS088
FLEX BAR CHAIN LENGTH	100cm
CABLE TYPE	MLCA028 Black Fabric Braided Cable 2 Core Round

FIXING BRACKET: MLWB17



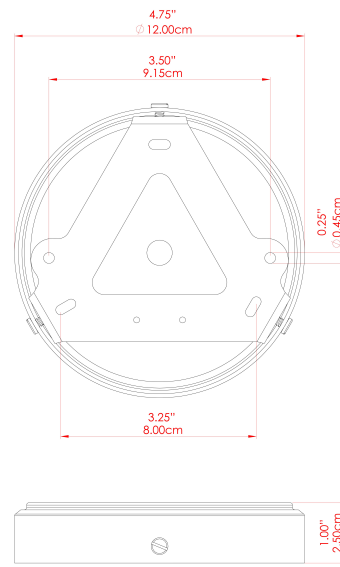
NAKAI Ceramic Pendant

MLCMP069POLBRSC Polished Brass



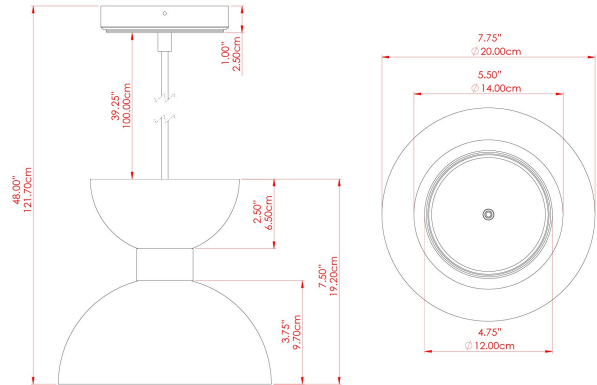
MATERIAL	Brass Ceramic
HEIGHT	20cm
WIDTH DIAMETER	20cm
LENGTH PROJECTION	n/a
WEIGHT	2 kg
LAMPHOLDER	G9
MAX WATTAGE	6.5W
VOLTAGE	220/240v
IP RATING	IP20
CLASS PROTECTION	Class I
SHADE	GL196 MLCS087 MLCS088
FLEX BAR CHAIN LENGTH	100cm
CABLE TYPE	MLCA028 Black Fabric Braided Cable 2 Core Round

FIXING BRACKET: MLWB17



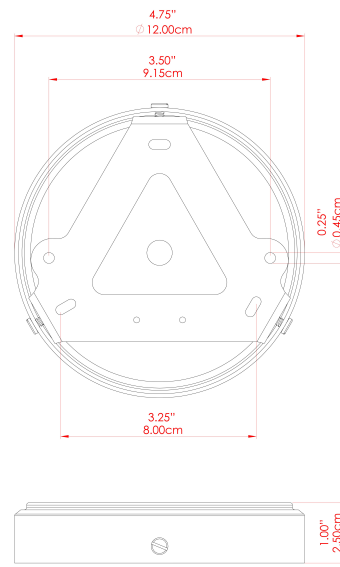
NAKAI Ceramic Pendant

MLCMP069POLBRSFR Polished Brass



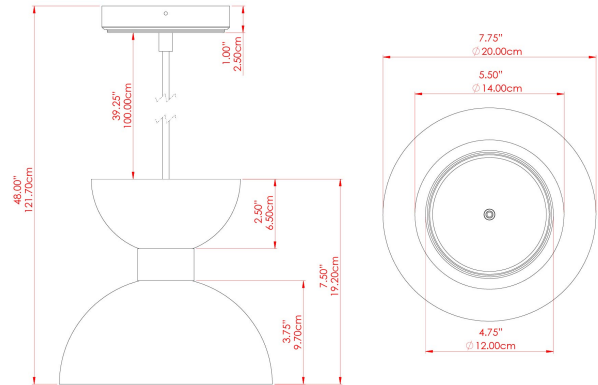
MATERIAL	Brass Ceramic
HEIGHT	20cm
WIDTH DIAMETER	20cm
LENGTH PROJECTION	n/a
WEIGHT	2 kg
LAMPHOLDER	G9
MAX WATTAGE	6.5W
VOLTAGE	220/240v
IP RATING	IP20
CLASS PROTECTION	Class I
SHADE	GL208 MLCS087 MLCS088
FLEX BAR CHAIN LENGTH	100cm
CABLE TYPE	MLCA028 Black Fabric Braided Cable 2 Core Round

FIXING BRACKET: MLWB17



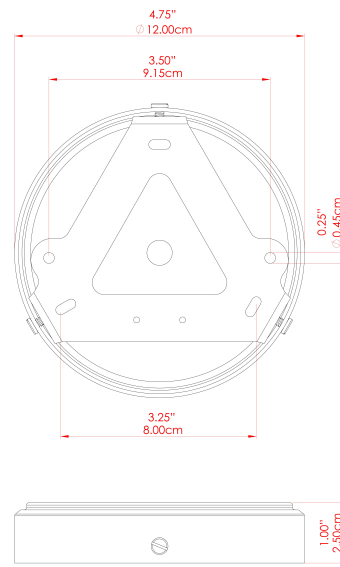
NAKAI Ceramic Pendant

MLCMP069POLBRSOP Polished Brass



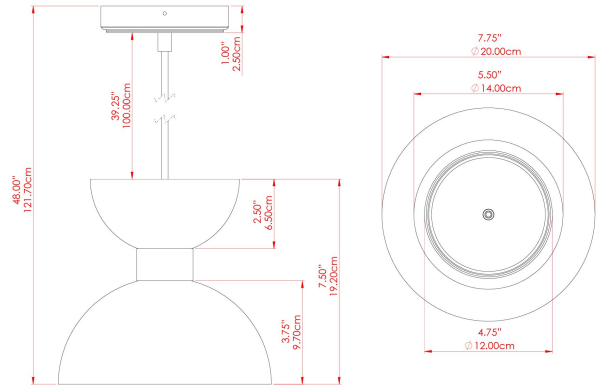
MATERIAL	Brass Ceramic
HEIGHT	20cm
WIDTH DIAMETER	20cm
LENGTH PROJECTION	n/a
WEIGHT	2 kg
LAMPHOLDER	G9
MAX WATTAGE	6.5W
VOLTAGE	220/240v
IP RATING	IP20
CLASS PROTECTION	Class I
SHADE	GL192 MLCS087 MLCS088
FLEX BAR CHAIN LENGTH	100cm
CABLE TYPE	MLCA028 Black Fabric Braided Cable 2 Core Round

FIXING BRACKET: MLWB17



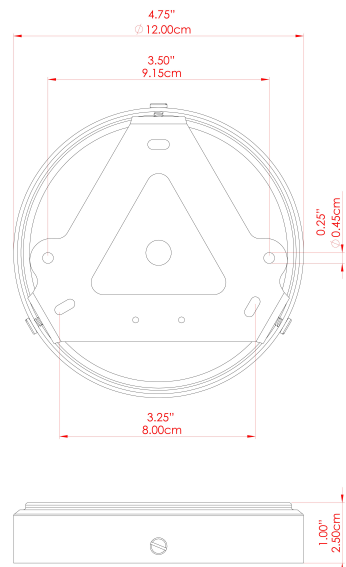
NAKAI Ceramic Pendant

MLCMP069SATBRSL Satin Brass



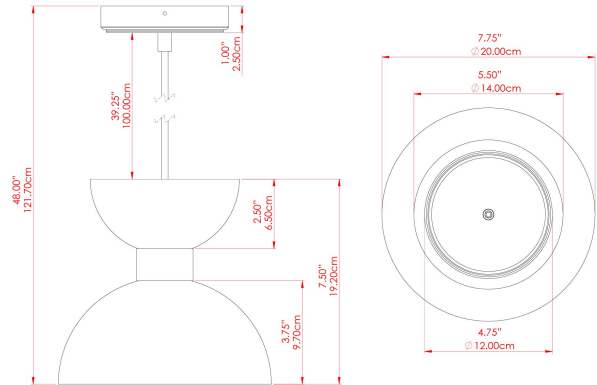
MATERIAL	Brass Ceramic
HEIGHT	20cm
WIDTH DIAMETER	20cm
LENGTH PROJECTION	n/a
WEIGHT	2 kg
LAMPHOLDER	G9
MAX WATTAGE	6.5W
VOLTAGE	220/240v
IP RATING	IP20
CLASS PROTECTION	Class I
SHADE	GL196 MLCS087 MLCS088
FLEX BAR CHAIN LENGTH	100cm
CABLE TYPE	MLCA028 Black Fabric Braided Cable 2 Core Round

FIXING BRACKET: MLWB17



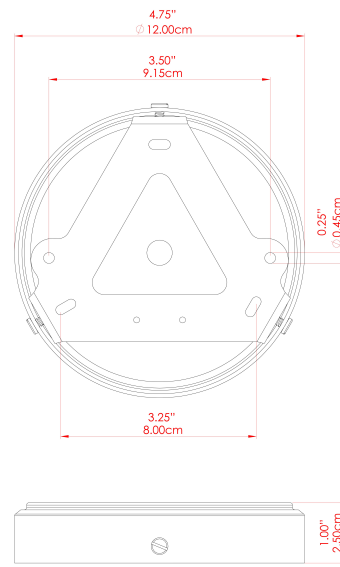
NAKAI Ceramic Pendant

MLCMP069SATBRSFR Satin Brass



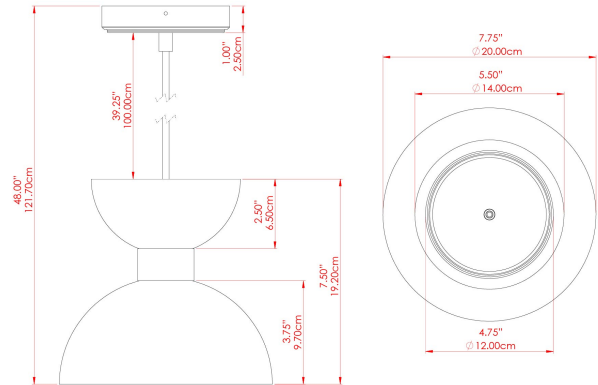
MATERIAL	Brass Ceramic
HEIGHT	20cm
WIDTH DIAMETER	20cm
LENGTH PROJECTION	n/a
WEIGHT	2 kg
LAMPHOLDER	G9
MAX WATTAGE	6.5W
VOLTAGE	220/240v
IP RATING	IP20
CLASS PROTECTION	Class I
SHADE	GL208 MLCS087 MLCS088
FLEX BAR CHAIN LENGTH	100cm
CABLE TYPE	MLCA028 Black Fabric Braided Cable 2 Core Round

FIXING BRACKET: MLWB17



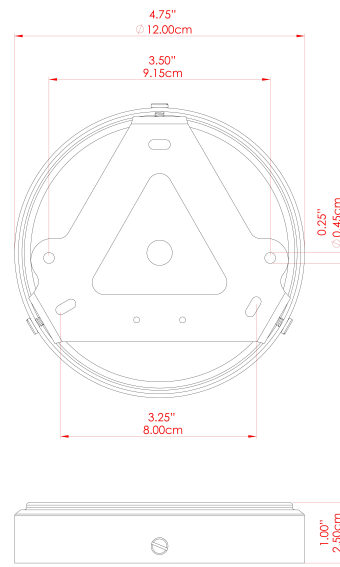
NAKAI Ceramic Pendant

MLCMP069SATBRSOP Satin Brass



MATERIAL	Brass Ceramic
HEIGHT	20cm
WIDTH DIAMETER	20cm
LENGTH PROJECTION	n/a
WEIGHT	2 kg
LAMPHOLDER	G9
MAX WATTAGE	6.5W
VOLTAGE	220/240v
IP RATING	IP20
CLASS PROTECTION	Class I
SHADE	GL192 MLCS087 MLCS088
FLEX BAR CHAIN LENGTH	100cm
CABLE TYPE	MLCA028 Black Fabric Braided Cable 2 Core Round

FIXING BRACKET: MLWB17



Product Notes:
 1) Bulbs not included. 2) Dimensions do not include bulbs. 3) All products are individually made-to-order and therefore may differ slightly within manufacturing tolerances. 4) Cable / chain can be shortened during installation. Longer cable / chain lengths available on request. 5) Additional colour finishes may be available on request. 6) Refer to our website for a full list of terms and conditions.

