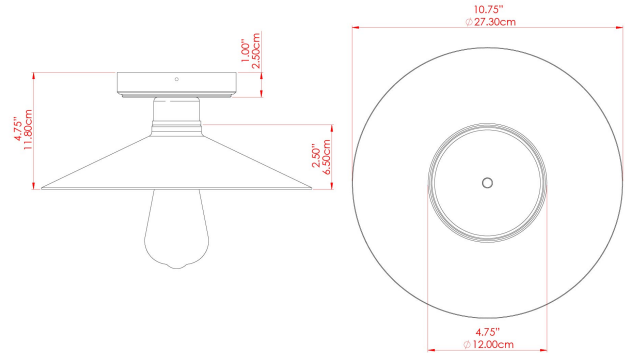


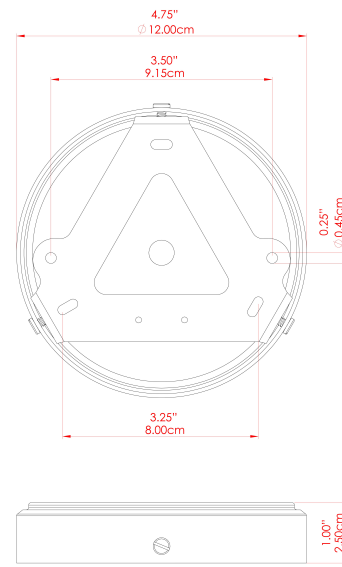
PYRUS Ceramic Ceiling Fitting

MLCMCF028ANTBRS Antique Brass



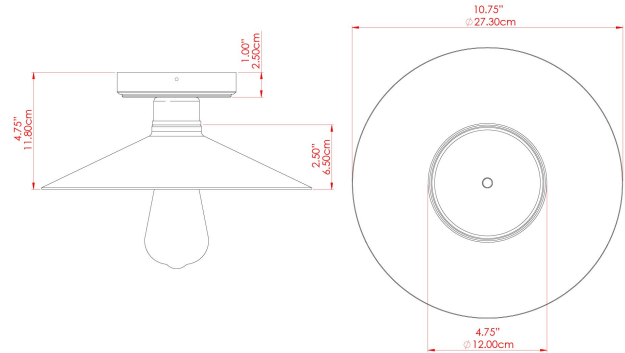
MATERIAL	Brass Ceramic
HEIGHT	10cm
WIDTH DIAMETER	27cm
LENGTH PROJECTION	n/a
WEIGHT	0.9 kg
LAMPHOLDER	E27
MAX WATTAGE	40W
VOLTAGE	220/240v
IP RATING	IP20
CLASS PROTECTION	Class I
SHADE	MLCS078
FLEX BAR CHAIN LENGTH	n/a
CABLE TYPE	-

FIXING BRACKET: MLWB17



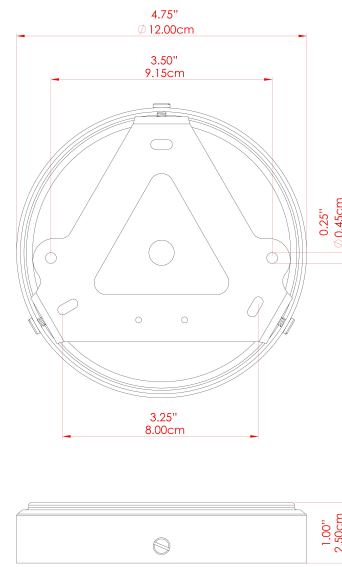
PYRUS Ceramic Ceiling Fitting

MLCMCF028ANTSLV Antique Silver



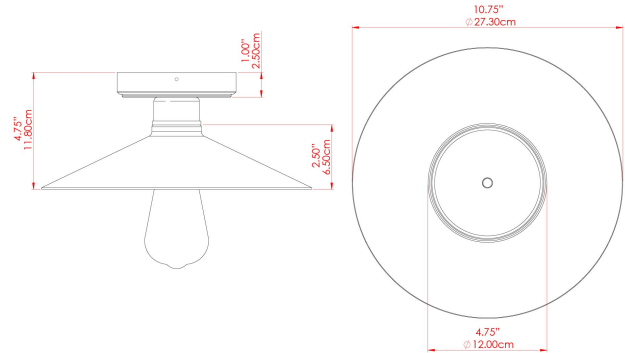
MATERIAL	Brass Ceramic
HEIGHT	10cm
WIDTH DIAMETER	27cm
LENGTH PROJECTION	n/a
WEIGHT	0.9 kg
LAMPHOLDER	E27
MAX WATTAGE	40W
VOLTAGE	220/240v
IP RATING	IP20
CLASS PROTECTION	Class I
SHADE	MLCS078
FLEX BAR CHAIN LENGTH	n/a
CABLE TYPE	-

FIXING BRACKET: MLWB17



PYRUS Ceramic Ceiling Fitting

MLCMCF028PCMBK Matt Black



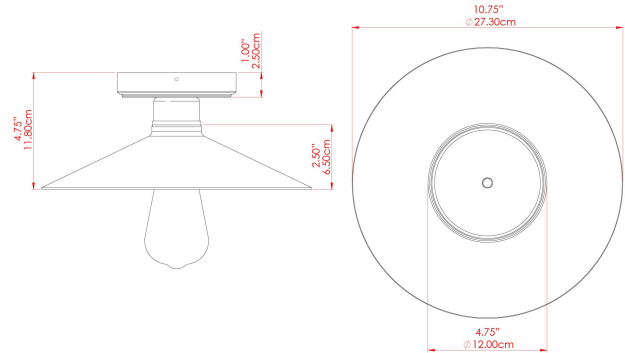
MATERIAL	Brass Ceramic
HEIGHT	10cm
WIDTH DIAMETER	27cm
LENGTH PROJECTION	n/a
WEIGHT	0.9 kg
LAMPHOLDER	E27
MAX WATTAGE	40W
VOLTAGE	220/240v
IP RATING	IP20
CLASS PROTECTION	Class I
SHADE	MLCS078
FLEX BAR CHAIN LENGTH	n/a
CABLE TYPE	-

FIXING BRACKET: MLWB17



PYRUS Ceramic Ceiling Fitting

MLCMCF028POLBRS Polished Brass



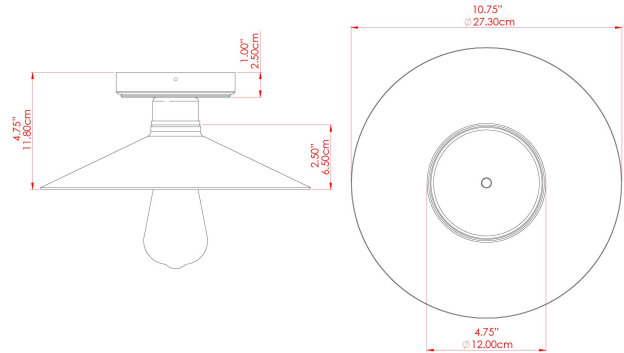
MATERIAL	Brass Ceramic
HEIGHT	10cm
WIDTH DIAMETER	27cm
LENGTH PROJECTION	n/a
WEIGHT	0.9 kg
LAMPHOLDER	E27
MAX WATTAGE	40W
VOLTAGE	220/240v
IP RATING	IP20
CLASS PROTECTION	Class I
SHADE	MLCS078
FLEX BAR CHAIN LENGTH	n/a
CABLE TYPE	-

FIXING BRACKET: MLWB17



PYRUS Ceramic Ceiling Fitting

MLCMCF028POLCOP Polished Copper



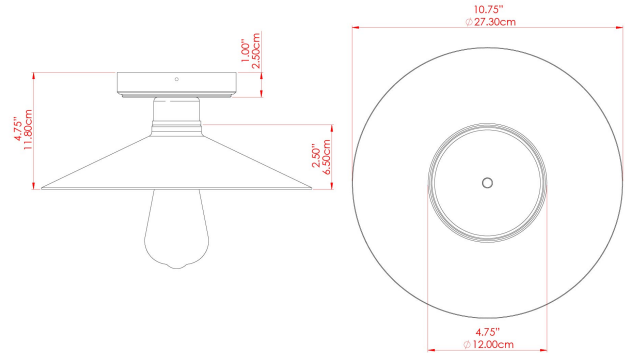
MATERIAL	Copper Ceramic
HEIGHT	10cm
WIDTH DIAMETER	27cm
LENGTH PROJECTION	n/a
WEIGHT	0.9 kg
LAMPHOLDER	E27
MAX WATTAGE	40W
VOLTAGE	220/240v
IP RATING	IP20
CLASS PROTECTION	Class I
SHADE	MLCS078
FLEX BAR CHAIN LENGTH	n/a
CABLE TYPE	-

FIXING BRACKET: MLWB17



PYRUS Ceramic Ceiling Fitting

MLCMCF028SATBRS Satin Brass



MATERIAL	Brass Ceramic
HEIGHT	10cm
WIDTH DIAMETER	27cm
LENGTH PROJECTION	n/a
WEIGHT	0.9 kg
LAMPHOLDER	E27
MAX WATTAGE	40W
VOLTAGE	220/240v
IP RATING	IP20
CLASS PROTECTION	Class I
SHADE	MLCS078
FLEX BAR CHAIN LENGTH	n/a
CABLE TYPE	-

FIXING BRACKET: MLWB17

