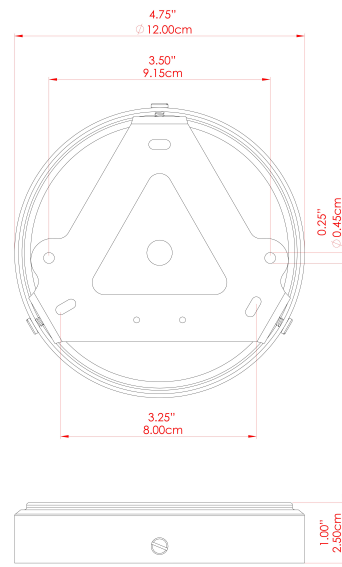


MATERIAL	Brass Glass
HEIGHT	71cm
WIDTH DIAMETER	12cm
LENGTH PROJECTION	15cm
WEIGHT	1.8 kg
LAMPHOLDER	G9
MAX WATTAGE	6.5W
VOLTAGE	220/240v
IP RATING	IP44
CLASS PROTECTION	Class I
SHADE	GL192
FLEX BAR CHAIN LENGTH	n/a
CABLE TYPE	-

FIXING BRACKET: MLWB17

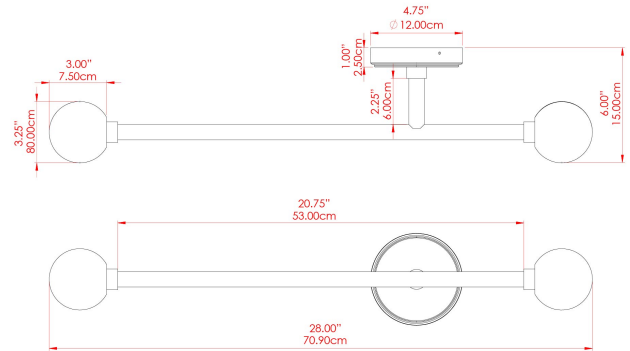


WWW.MULLANLIGHTING.COM

Product Notes:

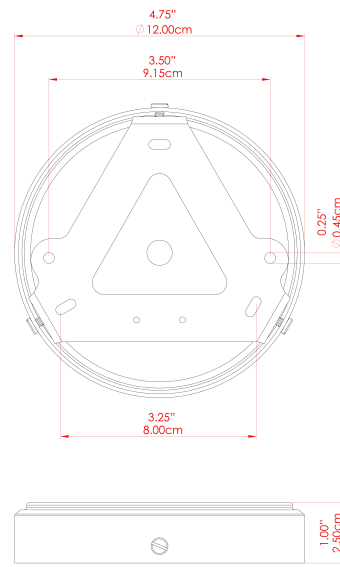
1) Bulbs not included. 2) Dimensions do not include bulbs. 3) All products are individually made-to-order and therefore may differ slightly within manufacturing tolerances. 4) Cable / chain can be shortened during installation. Longer cable / chain lengths available on request. 5) Additional colour finishes may be available on request. 6) Refer to our website for a full list of terms and conditions.

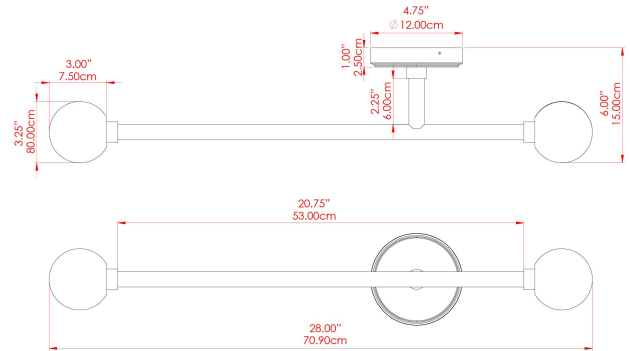




MATERIAL	Brass Glass
HEIGHT	71cm
WIDTH DIAMETER	12cm
LENGTH PROJECTION	15cm
WEIGHT	1.8 kg
LAMPHOLDER	G9
MAX WATTAGE	6.5W
VOLTAGE	220/240v
IP RATING	IP44
CLASS PROTECTION	Class I
SHADE	GL196
FLEX BAR CHAIN LENGTH	n/a
CABLE TYPE	-

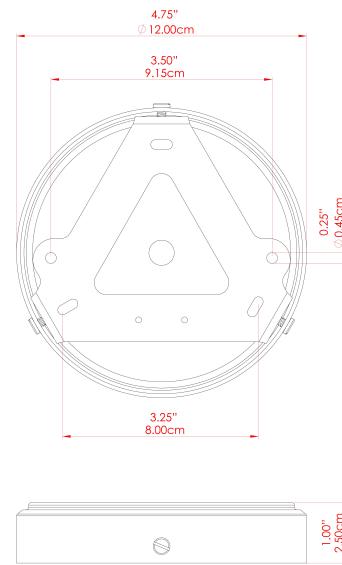
FIXING BRACKET: MLWB17

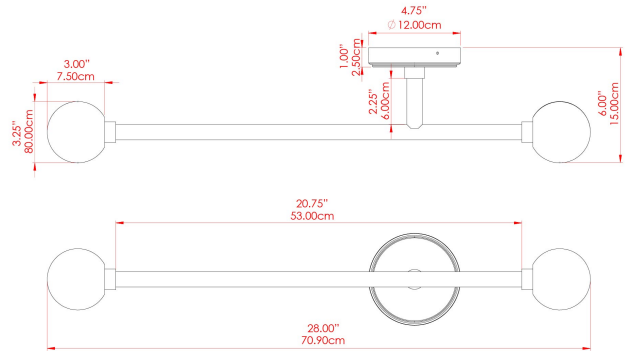




MATERIAL	Brass Glass
HEIGHT	71cm
WIDTH DIAMETER	12cm
LENGTH PROJECTION	15cm
WEIGHT	1.8 kg
LAMPHOLDER	G9
MAX WATTAGE	6.5W
VOLTAGE	220/240v
IP RATING	IP44
CLASS PROTECTION	Class I
SHADE	GL208
FLEX BAR CHAIN LENGTH	n/a
CABLE TYPE	-

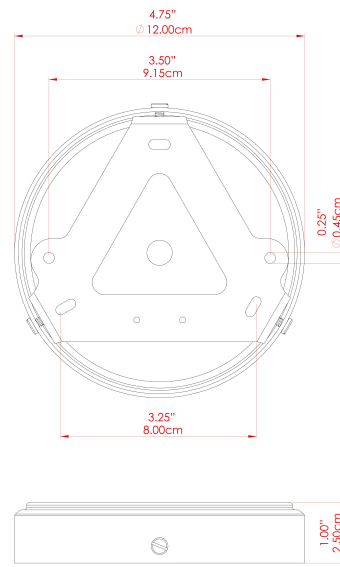
FIXING BRACKET: MLWB17





MATERIAL	Brass Glass
HEIGHT	71cm
WIDTH DIAMETER	12cm
LENGTH PROJECTION	15cm
WEIGHT	1.8 kg
LAMPHOLDER	G9
MAX WATTAGE	6.5W
VOLTAGE	220/240v
IP RATING	IP44
CLASS PROTECTION	Class I
SHADE	GL192
FLEX BAR CHAIN LENGTH	n/a
CABLE TYPE	-

FIXING BRACKET: MLWB17



WWW.MULLANLIGHTING.COM

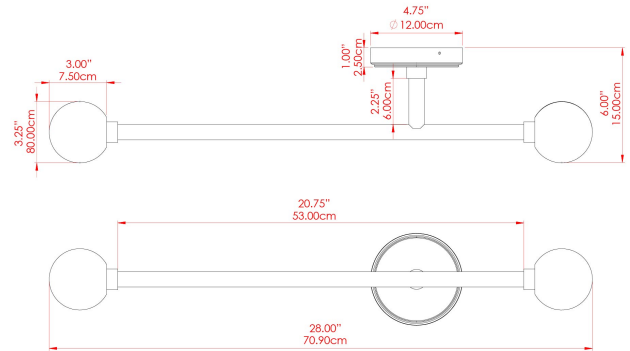
Product Notes:

1) Bulbs not included. 2) Dimensions do not include bulbs. 3) All products are individually made-to-order and therefore may differ slightly within manufacturing tolerances. 4) Cable / chain can be shortened during installation. Longer cable / chain lengths available on request. 5) Additional colour finishes may be available on request. 6) Refer to our website for a full list of terms and conditions.



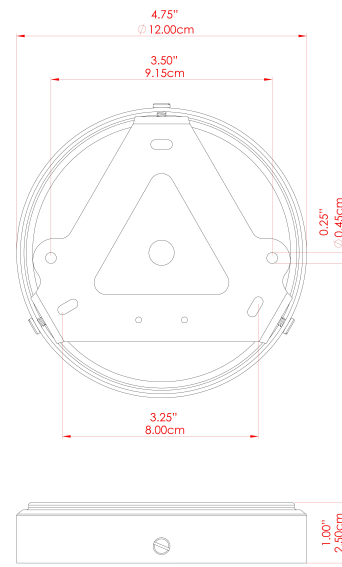


ANTIQUE SILVER



MATERIAL	Brass Glass
HEIGHT	71cm
WIDTH DIAMETER	12cm
LENGTH PROJECTION	15cm
WEIGHT	1.8 kg
LAMPHOLDER	G9
MAX WATTAGE	6.5W
VOLTAGE	220/240v
IP RATING	IP44
CLASS PROTECTION	Class I
SHADE	GL196
FLEX BAR CHAIN LENGTH	n/a
CABLE TYPE	-

FIXING BRACKET: MLWB17

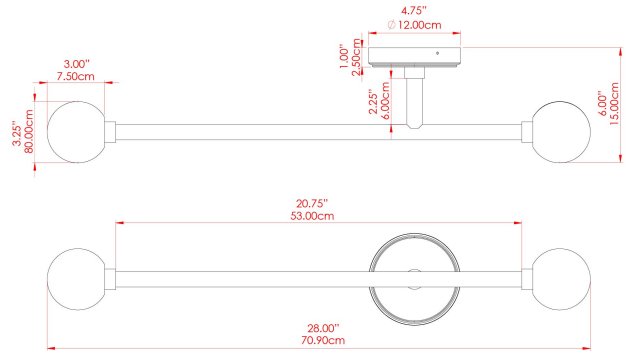


WWW.MULLANLIGHTING.COM

Product Notes:

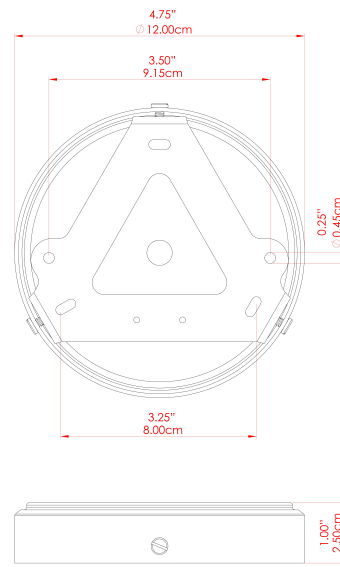
1) Bulbs not included. 2) Dimensions do not include bulbs. 3) All products are individually made-to-order and therefore may differ slightly within manufacturing tolerances. 4) Cable / chain can be shortened during installation. Longer cable / chain lengths available on request. 5) Additional colour finishes may be available on request. 6) Refer to our website for a full list of terms and conditions.





MATERIAL	Brass Glass
HEIGHT	71cm
WIDTH DIAMETER	12cm
LENGTH PROJECTION	15cm
WEIGHT	1.8 kg
LAMPHOLDER	G9
MAX WATTAGE	6.5W
VOLTAGE	220/240v
IP RATING	IP44
CLASS PROTECTION	Class I
SHADE	GL208
FLEX BAR CHAIN LENGTH	n/a
CABLE TYPE	-

FIXING BRACKET: MLWB17

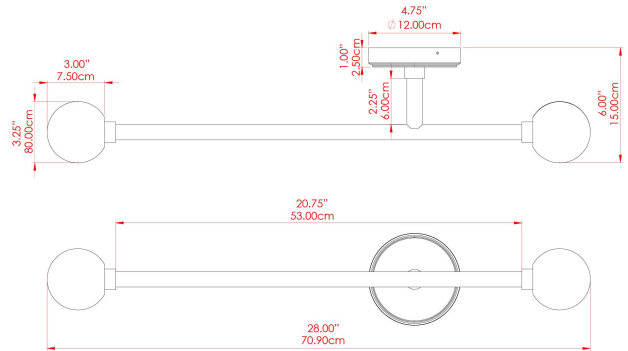


WWW.MULLANLIGHTING.COM

Product Notes:

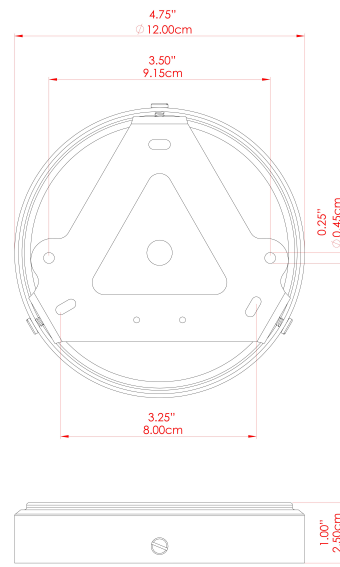
1) Bulbs not included. 2) Dimensions do not include bulbs. 3) All products are individually made-to-order and therefore may differ slightly within manufacturing tolerances. 4) Cable / chain can be shortened during installation. Longer cable / chain lengths available on request. 5) Additional colour finishes may be available on request. 6) Refer to our website for a full list of terms and conditions.





MATERIAL	Brass Glass
HEIGHT	71cm
WIDTH DIAMETER	12cm
LENGTH PROJECTION	15cm
WEIGHT	1.8 kg
LAMPHOLDER	G9
MAX WATTAGE	6.5W
VOLTAGE	220/240v
IP RATING	IP44
CLASS PROTECTION	Class I
SHADE	GL192
FLEX BAR CHAIN LENGTH	n/a
CABLE TYPE	-

FIXING BRACKET: MLWB17

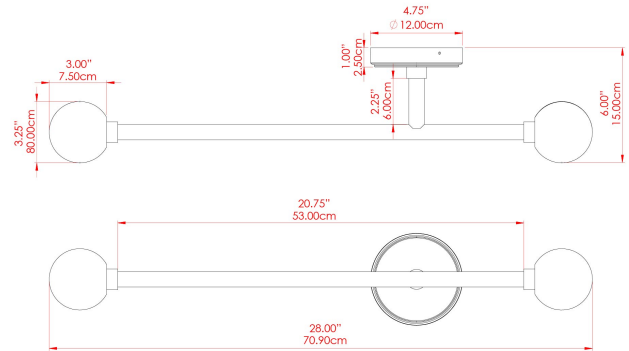


WWW.MULLANLIGHTING.COM

Product Notes:

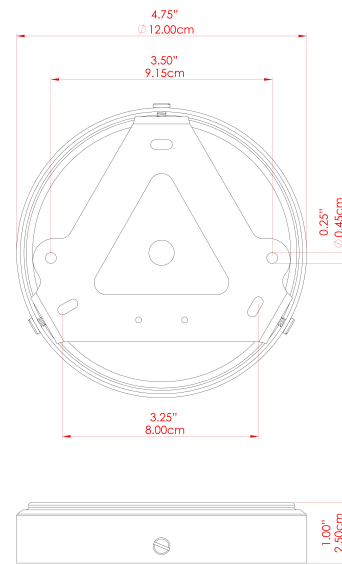
1) Bulbs not included. 2) Dimensions do not include bulbs. 3) All products are individually made-to-order and therefore may differ slightly within manufacturing tolerances. 4) Cable / chain can be shortened during installation. Longer cable / chain lengths available on request. 5) Additional colour finishes may be available on request. 6) Refer to our website for a full list of terms and conditions.





MATERIAL	Brass Glass
HEIGHT	71cm
WIDTH DIAMETER	12cm
LENGTH PROJECTION	15cm
WEIGHT	1.8 kg
LAMPHOLDER	G9
MAX WATTAGE	6.5W
VOLTAGE	220/240v
IP RATING	IP44
CLASS PROTECTION	Class I
SHADE	GL196
FLEX BAR CHAIN LENGTH	n/a
CABLE TYPE	-

FIXING BRACKET: MLWB17

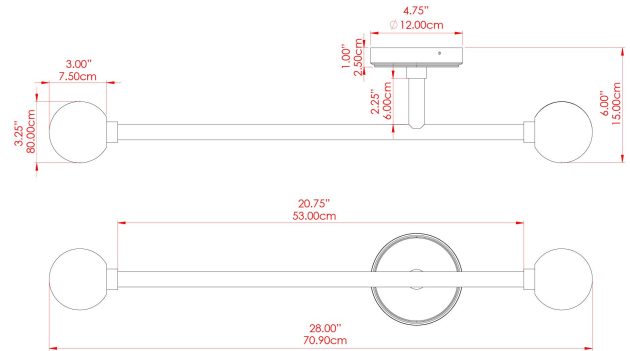


WWW.MULLANLIGHTING.COM

Product Notes:

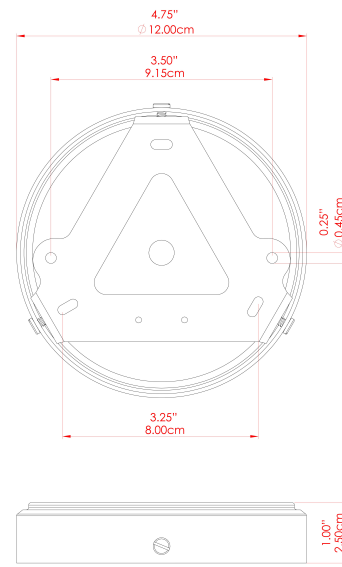
1) Bulbs not included. 2) Dimensions do not include bulbs. 3) All products are individually made-to-order and therefore may differ slightly within manufacturing tolerances. 4) Cable / chain can be shortened during installation. Longer cable / chain lengths available on request. 5) Additional colour finishes may be available on request. 6) Refer to our website for a full list of terms and conditions.





MATERIAL	Brass Glass
HEIGHT	71cm
WIDTH DIAMETER	12cm
LENGTH PROJECTION	15cm
WEIGHT	1.8 kg
LAMPHOLDER	G9
MAX WATTAGE	6.5W
VOLTAGE	220/240v
IP RATING	IP44
CLASS PROTECTION	Class I
SHADE	GL208
FLEX BAR CHAIN LENGTH	n/a
CABLE TYPE	-

FIXING BRACKET: MLWB17

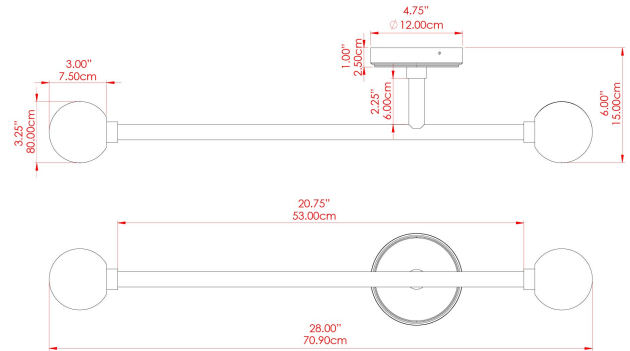


WWW.MULLANLIGHTING.COM

Product Notes:

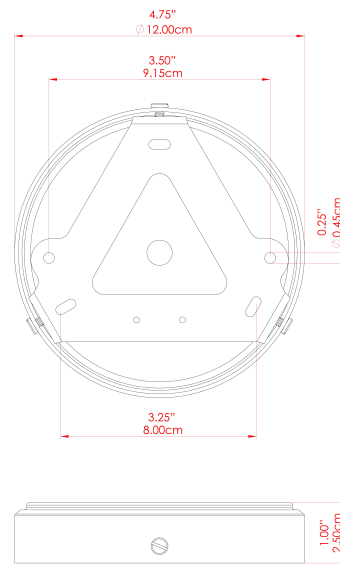
1) Bulbs not included. 2) Dimensions do not include bulbs. 3) All products are individually made-to-order and therefore may differ slightly within manufacturing tolerances. 4) Cable / chain can be shortened during installation. Longer cable / chain lengths available on request. 5) Additional colour finishes may be available on request. 6) Refer to our website for a full list of terms and conditions.

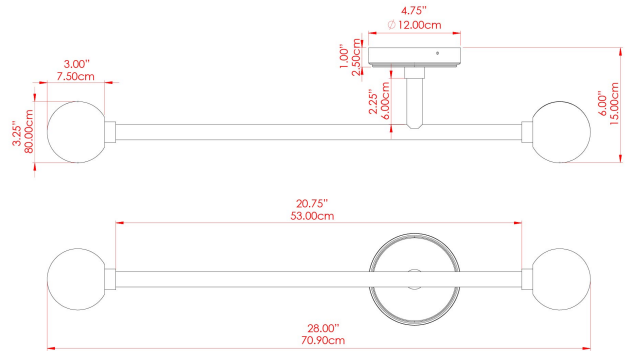




MATERIAL	Brass Glass
HEIGHT	71cm
WIDTH DIAMETER	12cm
LENGTH PROJECTION	15cm
WEIGHT	1.8 kg
LAMPHOLDER	G9
MAX WATTAGE	6.5W
VOLTAGE	220/240v
IP RATING	IP44
CLASS PROTECTION	Class I
SHADE	GL192
FLEX BAR CHAIN LENGTH	n/a
CABLE TYPE	-

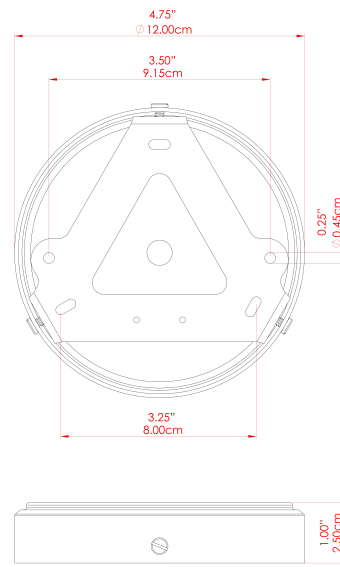
FIXING BRACKET: MLWB17

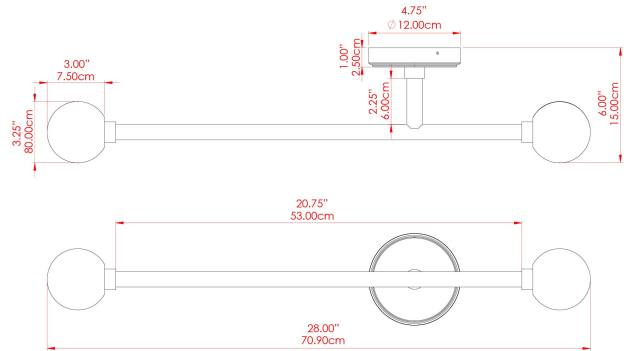




MATERIAL	Brass Glass
HEIGHT	71cm
WIDTH DIAMETER	12cm
LENGTH PROJECTION	15cm
WEIGHT	1.8 kg
LAMPHOLDER	G9
MAX WATTAGE	6.5W
VOLTAGE	220/240v
IP RATING	IP44
CLASS PROTECTION	Class I
SHADE	GL196
FLEX BAR CHAIN LENGTH	n/a
CABLE TYPE	-

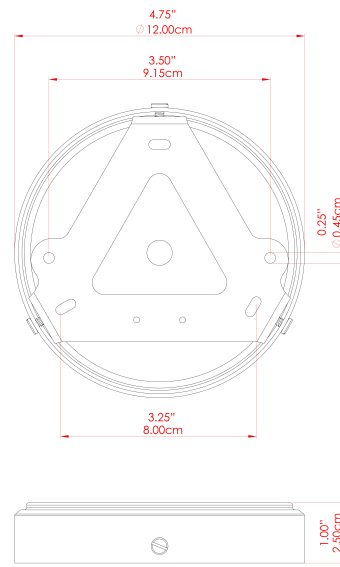
FIXING BRACKET: MLWB17

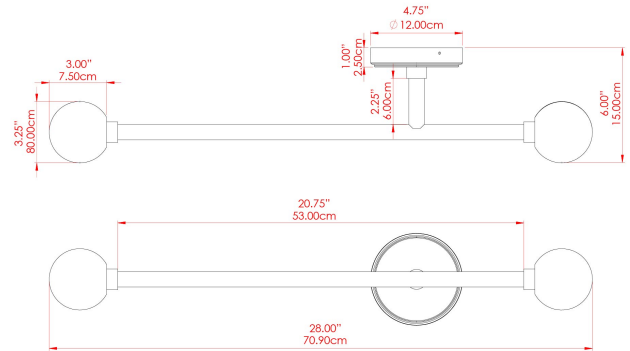




MATERIAL	Brass Glass
HEIGHT	71cm
WIDTH DIAMETER	12cm
LENGTH PROJECTION	15cm
WEIGHT	1.8 kg
LAMPHOLDER	G9
MAX WATTAGE	6.5W
VOLTAGE	220/240v
IP RATING	IP44
CLASS PROTECTION	Class I
SHADE	GL208
FLEX BAR CHAIN LENGTH	n/a
CABLE TYPE	-

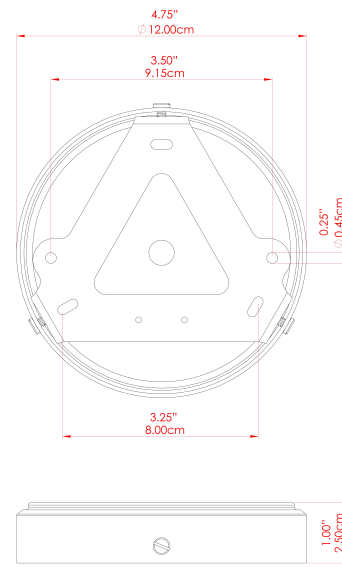
FIXING BRACKET: MLWB17





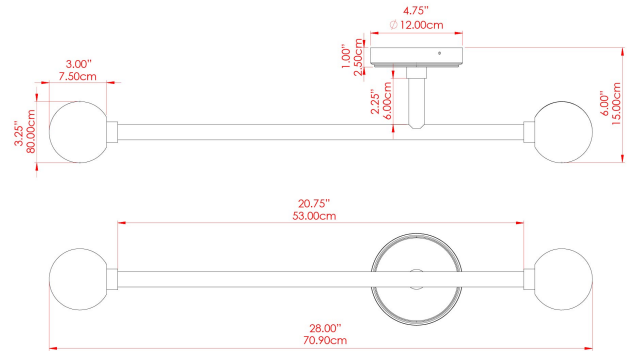
MATERIAL	Brass Glass
HEIGHT	71cm
WIDTH DIAMETER	12cm
LENGTH PROJECTION	15cm
WEIGHT	1.8 kg
LAMPHOLDER	G9
MAX WATTAGE	6.5W
VOLTAGE	220/240v
IP RATING	IP44
CLASS PROTECTION	Class I
SHADE	GL192
FLEX BAR CHAIN LENGTH	n/a
CABLE TYPE	-

FIXING BRACKET: MLWB17



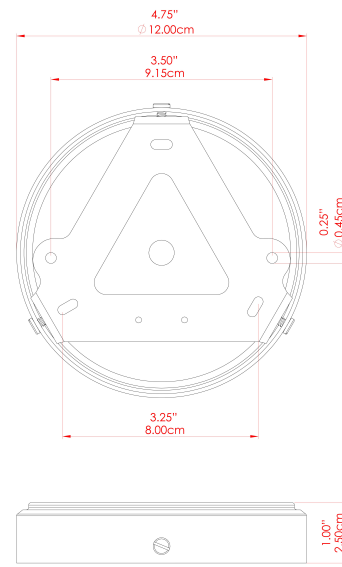
Product Notes:
 1) Bulbs not included. 2) Dimensions do not include bulbs. 3) All products are individually made-to-order and therefore may differ slightly within manufacturing tolerances. 4) Cable / chain can be shortened during installation. Longer cable / chain lengths available on request. 5) Additional colour finishes may be available on request. 6) Refer to our website for a full list of terms and conditions.





MATERIAL	Brass Glass
HEIGHT	71cm
WIDTH DIAMETER	12cm
LENGTH PROJECTION	15cm
WEIGHT	1.8 kg
LAMPHOLDER	G9
MAX WATTAGE	6.5W
VOLTAGE	220/240v
IP RATING	IP44
CLASS PROTECTION	Class I
SHADE	GL196
FLEX BAR CHAIN LENGTH	n/a
CABLE TYPE	-

FIXING BRACKET: MLWB17

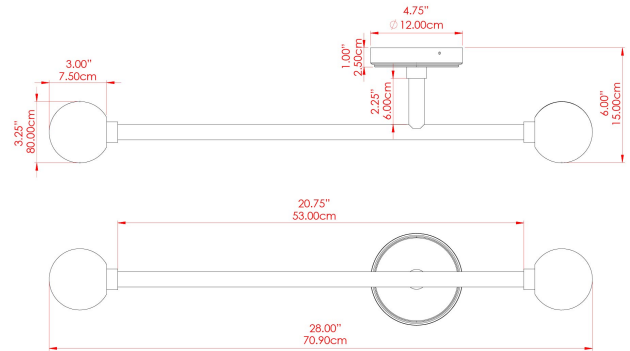


WWW.MULLANLIGHTING.COM

Product Notes:

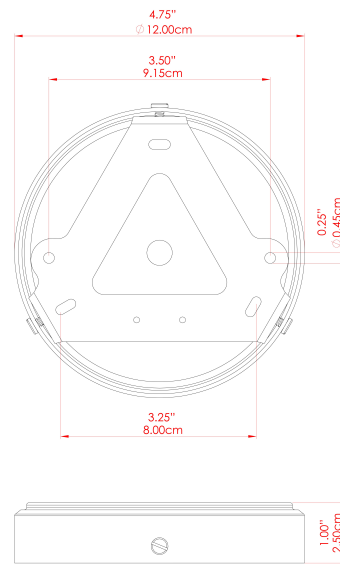
1) Bulbs not included. 2) Dimensions do not include bulbs. 3) All products are individually made-to-order and therefore may differ slightly within manufacturing tolerances. 4) Cable / chain can be shortened during installation. Longer cable / chain lengths available on request. 5) Additional colour finishes may be available on request. 6) Refer to our website for a full list of terms and conditions.





MATERIAL	Brass Glass
HEIGHT	71cm
WIDTH DIAMETER	12cm
LENGTH PROJECTION	15cm
WEIGHT	1.8 kg
LAMPHOLDER	G9
MAX WATTAGE	6.5W
VOLTAGE	220/240v
IP RATING	IP44
CLASS PROTECTION	Class I
SHADE	GL208
FLEX BAR CHAIN LENGTH	n/a
CABLE TYPE	-

FIXING BRACKET: MLWB17



WWW.MULLANLIGHTING.COM

Product Notes:

1) Bulbs not included. 2) Dimensions do not include bulbs. 3) All products are individually made-to-order and therefore may differ slightly within manufacturing tolerances. 4) Cable / chain can be shortened during installation. Longer cable / chain lengths available on request. 5) Additional colour finishes may be available on request. 6) Refer to our website for a full list of terms and conditions.

