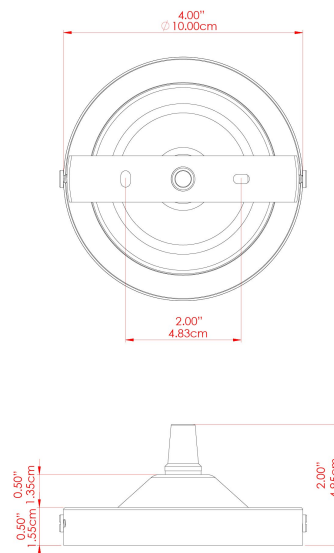


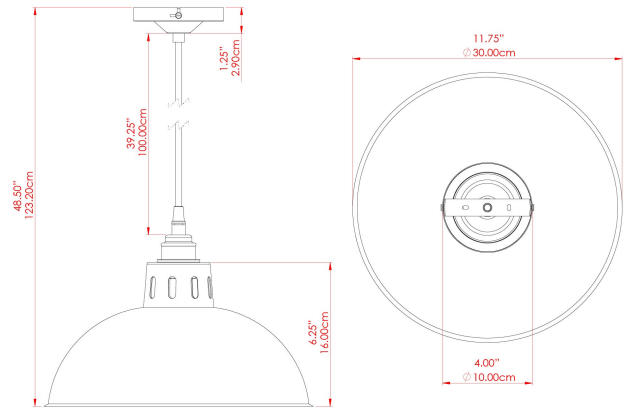
MATERIAL	Brass Aluminium
HEIGHT	22cm
WIDTH DIAMETER	30cm
LENGTH PROJECTION	n/a
WEIGHT	0.46 kg
LAMPHOLDER	E27
MAX WATTAGE	60W
VOLTAGE	220/240v
IP RATING	IP20
CLASS PROTECTION	Class I
SHADE	-
FLEX BAR CHAIN LENGTH	100cm
CABLE TYPE	MLCA020 Black Fabric Braided Cable 3 Core Twisted

FIXING BRACKET: MLROSE05GRIP | Polished Chrome



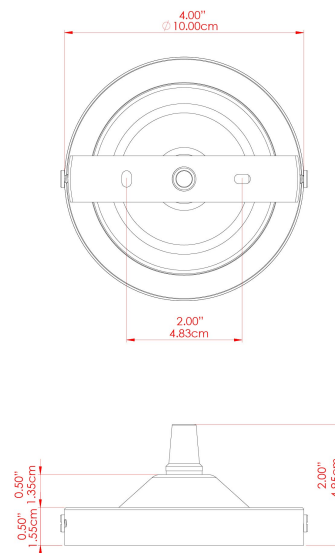
OSSON Pendant

MLP262PCBRZ Bronze



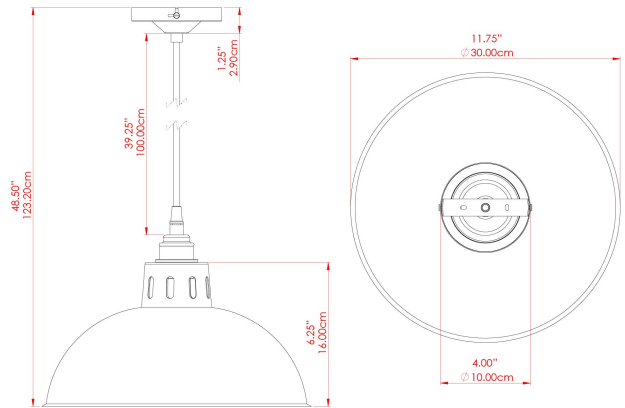
MATERIAL	Brass Aluminium
HEIGHT	22cm
WIDTH DIAMETER	30cm
LENGTH PROJECTION	n/a
WEIGHT	0.46 kg
LAMPHOLDER	E27
MAX WATTAGE	60W
VOLTAGE	220/240v
IP RATING	IP20
CLASS PROTECTION	Class I
SHADE	-
FLEX BAR CHAIN LENGTH	100cm
CABLE TYPE	MLCA007 Brown Fabric Braided Cable 3 Core Twisted

FIXING BRACKET: MLROSE05GRIP | Antique Brass



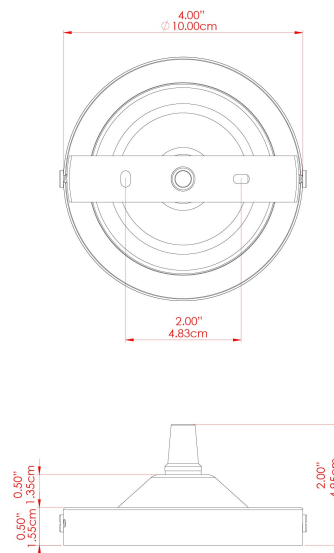
Product Notes:
 1) Bulbs not included. 2) Dimensions do not include bulbs. 3) All products are individually made-to-order and therefore may differ slightly within manufacturing tolerances. 4) Cable / chain can be shortened during installation. Longer cable / chain lengths available on request. 5) Additional colour finishes may be available on request. 6) Refer to our website for a full list of terms and conditions.





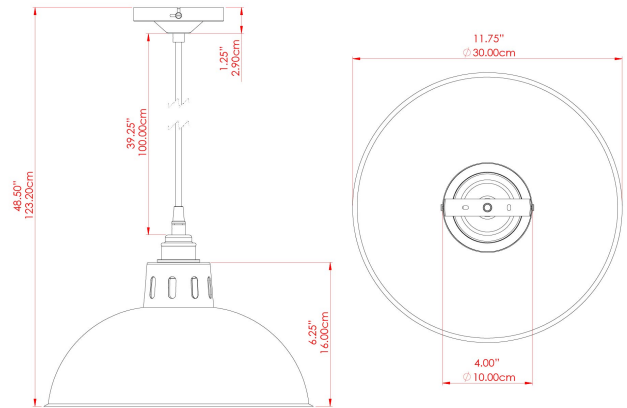
MATERIAL	Brass Aluminium
HEIGHT	22cm
WIDTH DIAMETER	30cm
LENGTH PROJECTION	n/a
WEIGHT	0.46 kg
LAMPHOLDER	E27
MAX WATTAGE	60W
VOLTAGE	220/240v
IP RATING	IP20
CLASS PROTECTION	Class I
SHADE	-
FLEX BAR CHAIN LENGTH	100cm
CABLE TYPE	MLCA020 Black Fabric Braided Cable 3 Core Twisted

FIXING BRACKET: MLROSE05GRIP | Polished Chrome



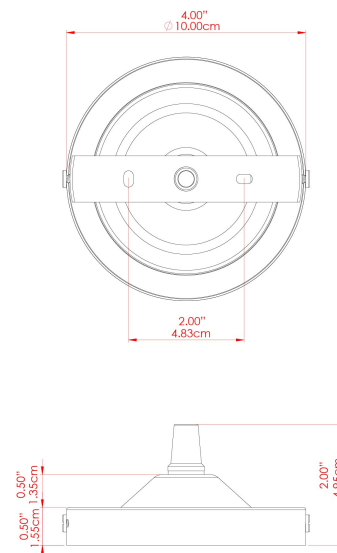
OSSON Pendant

MLP262PCGRY Grey



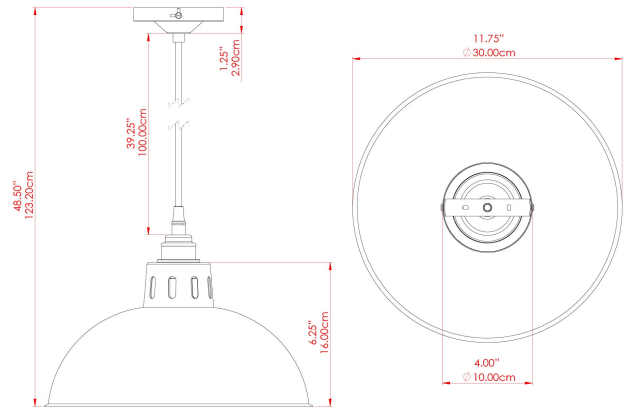
MATERIAL	Brass Aluminium
HEIGHT	22cm
WIDTH DIAMETER	30cm
LENGTH PROJECTION	n/a
WEIGHT	0.46 kg
LAMPHOLDER	E27
MAX WATTAGE	60W
VOLTAGE	220/240v
IP RATING	IP20
CLASS PROTECTION	Class I
SHADE	-
FLEX BAR CHAIN LENGTH	100cm
CABLE TYPE	MLCA020 Black Fabric Braided Cable 3 Core Twisted

FIXING BRACKET: MLROSE05GRIP | Polished Chrome



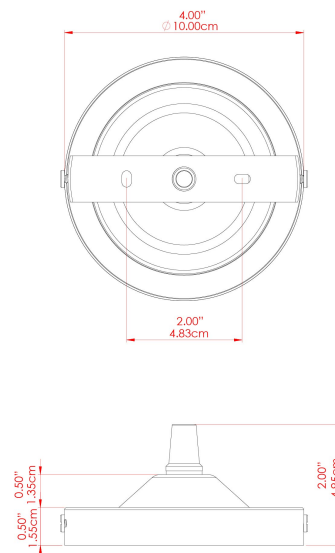
Product Notes:
 1) Bulbs not included. 2) Dimensions do not include bulbs. 3) All products are individually made-to-order and therefore may differ slightly within manufacturing tolerances. 4) Cable / chain can be shortened during installation. Longer cable / chain lengths available on request. 5) Additional colour finishes may be available on request. 6) Refer to our website for a full list of terms and conditions.





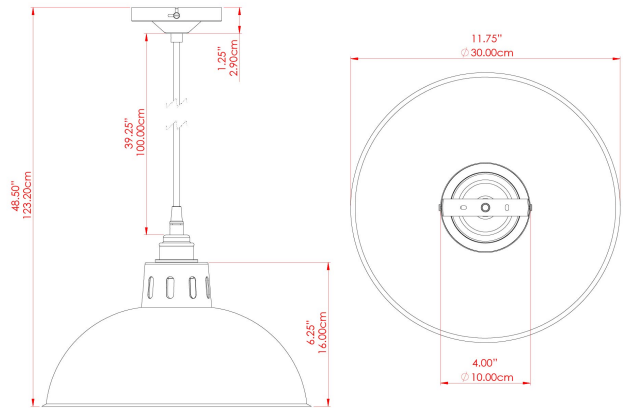
MATERIAL	Brass Aluminium
HEIGHT	22cm
WIDTH DIAMETER	30cm
LENGTH PROJECTION	n/a
WEIGHT	0.46 kg
LAMPHOLDER	E27
MAX WATTAGE	60W
VOLTAGE	220/240v
IP RATING	IP20
CLASS PROTECTION	Class I
SHADE	-
FLEX BAR CHAIN LENGTH	100cm
CABLE TYPE	MLCA020 Black Fabric Braided Cable 3 Core Twisted

FIXING BRACKET: MLROSE05GRIP | Polished Chrome



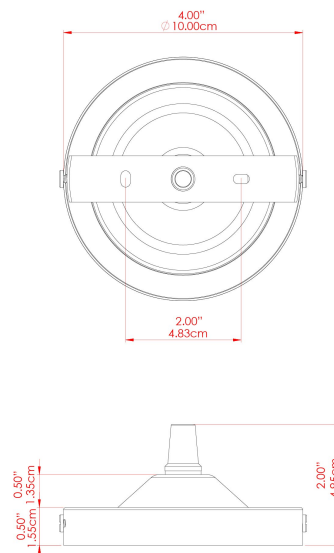
Product Notes:
 1) Bulbs not included. 2) Dimensions do not include bulbs. 3) All products are individually made-to-order and therefore may differ slightly within manufacturing tolerances. 4) Cable / chain can be shortened during installation. Longer cable / chain lengths available on request. 5) Additional colour finishes may be available on request. 6) Refer to our website for a full list of terms and conditions.





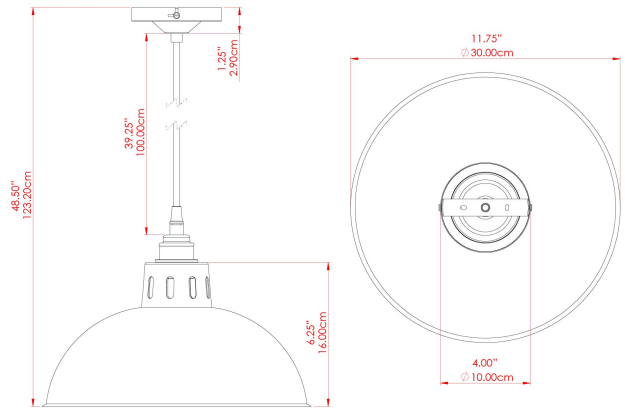
MATERIAL	Brass Aluminium
HEIGHT	22cm
WIDTH DIAMETER	30cm
LENGTH PROJECTION	n/a
WEIGHT	0.46 kg
LAMPHOLDER	E27
MAX WATTAGE	60W
VOLTAGE	220/240v
IP RATING	IP20
CLASS PROTECTION	Class I
SHADE	-
FLEX BAR CHAIN LENGTH	100cm
CABLE TYPE	MLCA020 Black Fabric Braided Cable 3 Core Twisted

FIXING BRACKET: MLROSE05GRIP | Polished Chrome



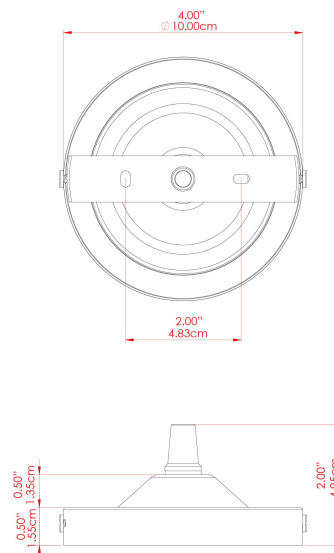
Product Notes:
 1) Bulbs not included. 2) Dimensions do not include bulbs. 3) All products are individually made-to-order and therefore may differ slightly within manufacturing tolerances. 4) Cable / chain can be shortened during installation. Longer cable / chain lengths available on request. 5) Additional colour finishes may be available on request. 6) Refer to our website for a full list of terms and conditions.





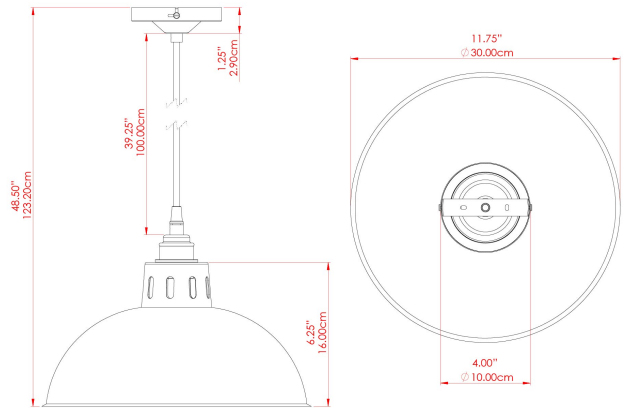
MATERIAL	Brass Aluminium
HEIGHT	22cm
WIDTH DIAMETER	30cm
LENGTH PROJECTION	n/a
WEIGHT	0.46 kg
LAMPHOLDER	E27
MAX WATTAGE	60W
VOLTAGE	220/240v
IP RATING	IP20
CLASS PROTECTION	Class I
SHADE	-
FLEX BAR CHAIN LENGTH	100cm
CABLE TYPE	MLCA020 Black Fabric Braided Cable 3 Core Twisted

FIXING BRACKET: MLROSE05GRIP | Polished Chrome



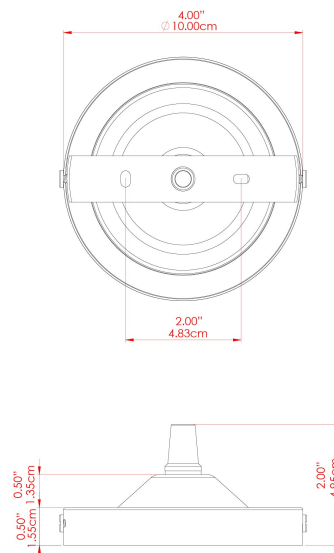
Product Notes:
 1) Bulbs not included. 2) Dimensions do not include bulbs. 3) All products are individually made-to-order and therefore may differ slightly within manufacturing tolerances. 4) Cable / chain can be shortened during installation. Longer cable / chain lengths available on request. 5) Additional colour finishes may be available on request. 6) Refer to our website for a full list of terms and conditions.





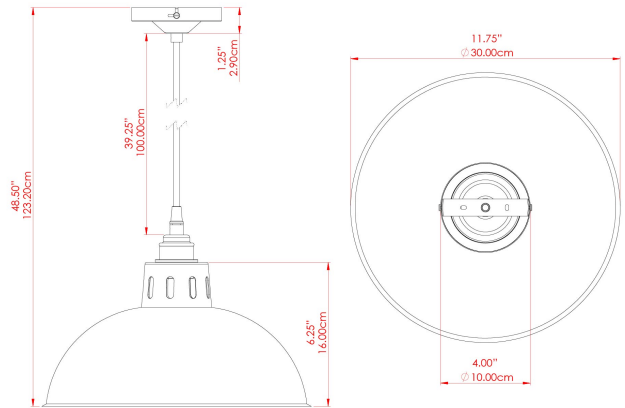
MATERIAL	Brass Aluminium
HEIGHT	22cm
WIDTH DIAMETER	30cm
LENGTH PROJECTION	n/a
WEIGHT	0.46 kg
LAMPHOLDER	E27
MAX WATTAGE	60W
VOLTAGE	220/240v
IP RATING	IP20
CLASS PROTECTION	Class I
SHADE	-
FLEX BAR CHAIN LENGTH	100cm
CABLE TYPE	MLCA020 Black Fabric Braided Cable 3 Core Twisted

FIXING BRACKET: MLROSE05GRIP | Polished Chrome



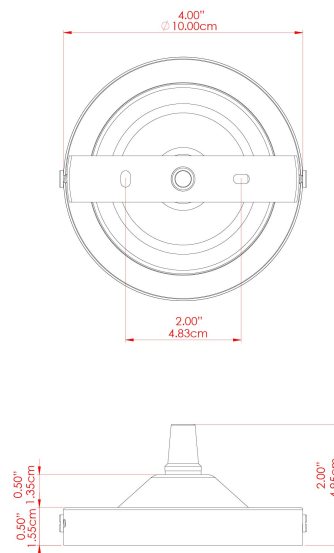
Product Notes:
 1) Bulbs not included. 2) Dimensions do not include bulbs. 3) All products are individually made-to-order and therefore may differ slightly within manufacturing tolerances. 4) Cable / chain can be shortened during installation. Longer cable / chain lengths available on request. 5) Additional colour finishes may be available on request. 6) Refer to our website for a full list of terms and conditions.





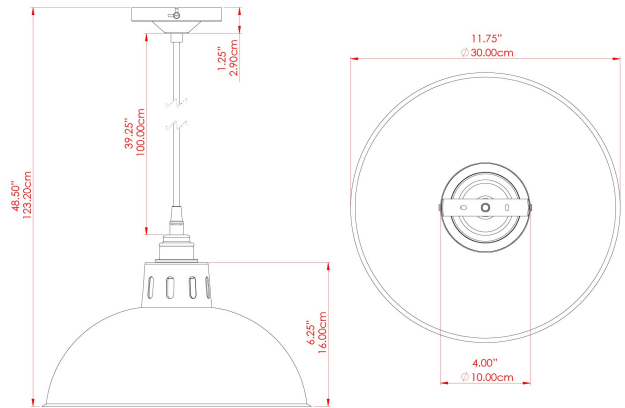
MATERIAL	Brass Aluminium
HEIGHT	22cm
WIDTH DIAMETER	30cm
LENGTH PROJECTION	n/a
WEIGHT	0.46 kg
LAMPHOLDER	E27
MAX WATTAGE	60W
VOLTAGE	220/240v
IP RATING	IP20
CLASS PROTECTION	Class I
SHADE	-
FLEX BAR CHAIN LENGTH	100cm
CABLE TYPE	MLCA020 Black Fabric Braided Cable 3 Core Twisted

FIXING BRACKET: MLROSE05GRIP | Polished Chrome



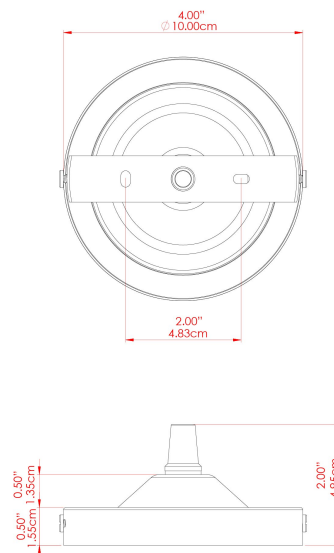
Product Notes:
 1) Bulbs not included. 2) Dimensions do not include bulbs. 3) All products are individually made-to-order and therefore may differ slightly within manufacturing tolerances. 4) Cable / chain can be shortened during installation. Longer cable / chain lengths available on request. 5) Additional colour finishes may be available on request. 6) Refer to our website for a full list of terms and conditions.





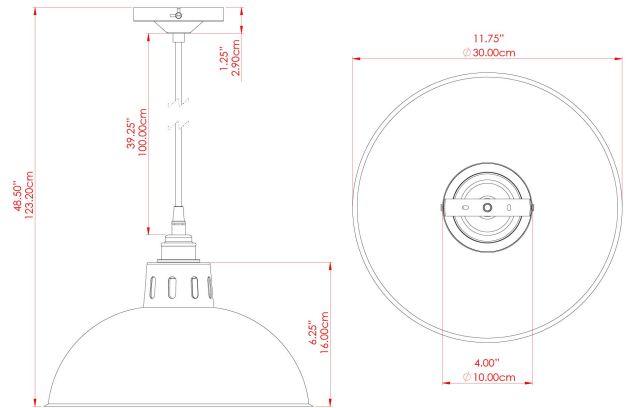
MATERIAL	Brass Aluminium
HEIGHT	22cm
WIDTH DIAMETER	30cm
LENGTH PROJECTION	n/a
WEIGHT	0.46 kg
LAMPHOLDER	E27
MAX WATTAGE	60W
VOLTAGE	220/240v
IP RATING	IP20
CLASS PROTECTION	Class I
SHADE	-
FLEX BAR CHAIN LENGTH	100cm
CABLE TYPE	MLCA020 Black Fabric Braided Cable 3 Core Twisted

FIXING BRACKET: MLROSE05GRIP | Polished Chrome



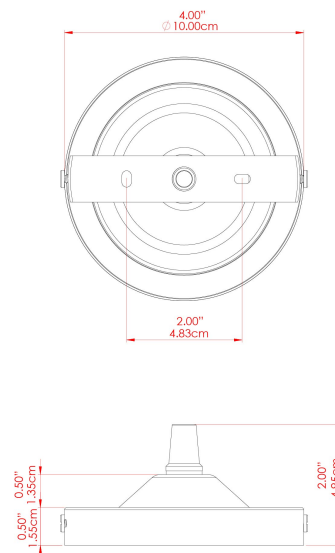
Product Notes:
 1) Bulbs not included. 2) Dimensions do not include bulbs. 3) All products are individually made-to-order and therefore may differ slightly within manufacturing tolerances. 4) Cable / chain can be shortened during installation. Longer cable / chain lengths available on request. 5) Additional colour finishes may be available on request. 6) Refer to our website for a full list of terms and conditions.

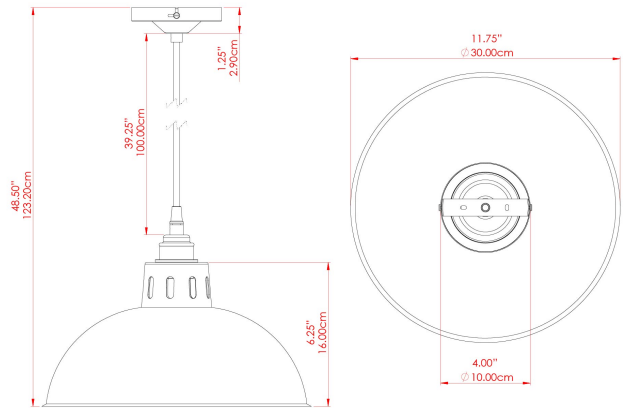




MATERIAL	Brass Aluminium
HEIGHT	22cm
WIDTH DIAMETER	30cm
LENGTH PROJECTION	n/a
WEIGHT	0.46 kg
LAMPHOLDER	E27
MAX WATTAGE	60W
VOLTAGE	220/240v
IP RATING	IP20
CLASS PROTECTION	Class I
SHADE	-
FLEX BAR CHAIN LENGTH	100cm
CABLE TYPE	MLCA020 Black Fabric Braided Cable 3 Core Twisted

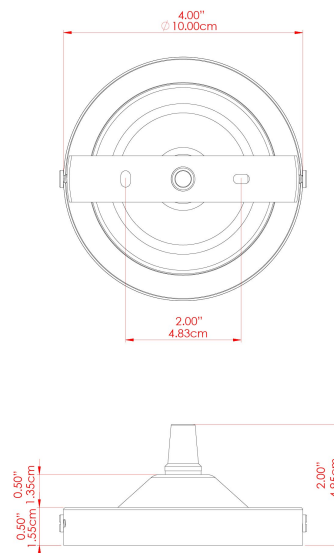
FIXING BRACKET: MLROSE05GRIP | Polished Chrome





MATERIAL	Brass Aluminium
HEIGHT	22cm
WIDTH DIAMETER	30cm
LENGTH PROJECTION	n/a
WEIGHT	0.46 kg
LAMPHOLDER	E27
MAX WATTAGE	60W
VOLTAGE	220/240v
IP RATING	IP20
CLASS PROTECTION	Class I
SHADE	-
FLEX BAR CHAIN LENGTH	100cm
CABLE TYPE	MLCA020 Black Fabric Braided Cable 3 Core Twisted

FIXING BRACKET: MLROSE05GRIP | Polished Chrome

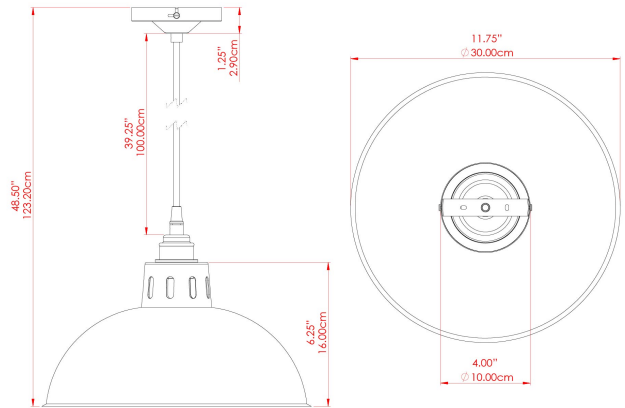


Product Notes:
 1) Bulbs not included. 2) Dimensions do not include bulbs. 3) All products are individually made-to-order and therefore may differ slightly within manufacturing tolerances. 4) Cable / chain can be shortened during installation. Longer cable / chain lengths available on request. 5) Additional colour finishes may be available on request. 6) Refer to our website for a full list of terms and conditions.



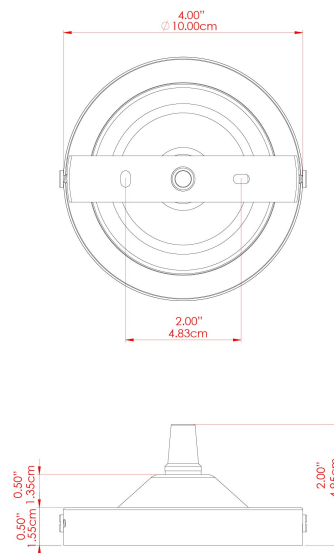
OSSON Pendant

MLP262PCORG Orange



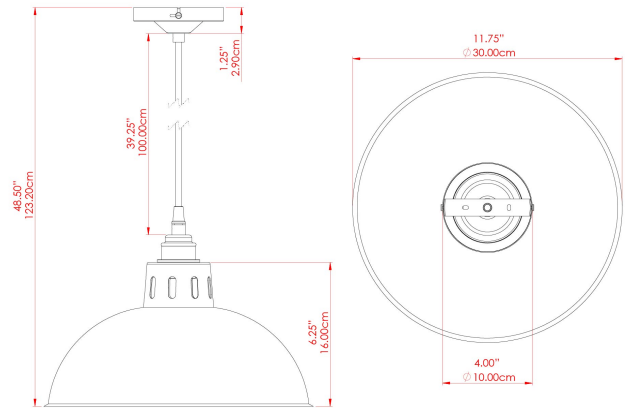
MATERIAL	Brass Aluminium
HEIGHT	22cm
WIDTH DIAMETER	30cm
LENGTH PROJECTION	n/a
WEIGHT	0.46 kg
LAMPHOLDER	E27
MAX WATTAGE	60W
VOLTAGE	220/240v
IP RATING	IP20
CLASS PROTECTION	Class I
SHADE	-
FLEX BAR CHAIN LENGTH	100cm
CABLE TYPE	MLCA020 Black Fabric Braided Cable 3 Core Twisted

FIXING BRACKET: MLROSE05GRIP | Polished Chrome



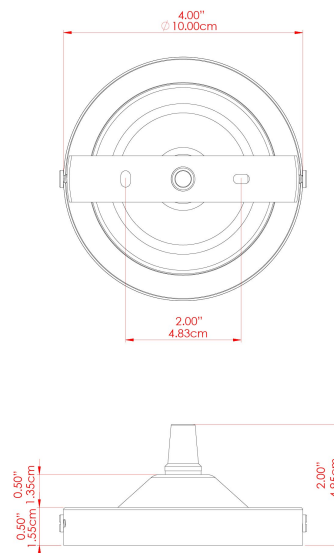
OSSON Pendant

MLP262PCRGR Racing Green



MATERIAL	Brass Aluminium
HEIGHT	22cm
WIDTH DIAMETER	30cm
LENGTH PROJECTION	n/a
WEIGHT	0.46 kg
LAMPHOLDER	E27
MAX WATTAGE	60W
VOLTAGE	220/240v
IP RATING	IP20
CLASS PROTECTION	Class I
SHADE	-
FLEX BAR CHAIN LENGTH	100cm
CABLE TYPE	MLCA020 Black Fabric Braided Cable 3 Core Twisted

FIXING BRACKET: MLROSE05GRIP | Polished Chrome

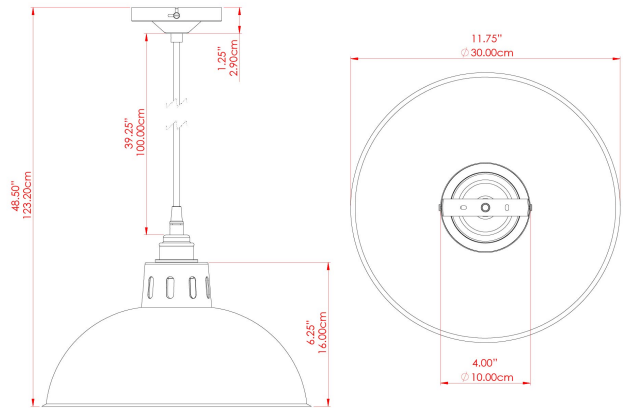


Product Notes:
 1) Bulbs not included. 2) Dimensions do not include bulbs. 3) All products are individually made-to-order and therefore may differ slightly within manufacturing tolerances. 4) Cable / chain can be shortened during installation. Longer cable / chain lengths available on request. 5) Additional colour finishes may be available on request. 6) Refer to our website for a full list of terms and conditions.



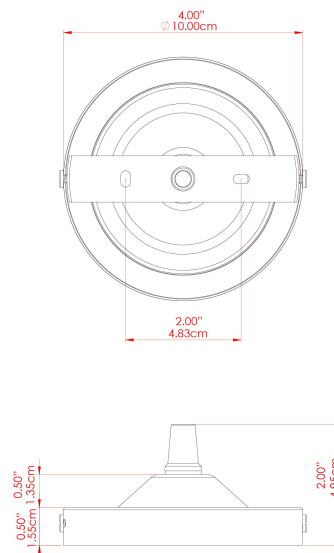
OSSON Pendant

MLP262PCRED Red



MATERIAL	Brass Aluminium
HEIGHT	22cm
WIDTH DIAMETER	30cm
LENGTH PROJECTION	n/a
WEIGHT	0.46 kg
LAMPHOLDER	E27
MAX WATTAGE	60W
VOLTAGE	220/240v
IP RATING	IP20
CLASS PROTECTION	Class I
SHADE	-
FLEX BAR CHAIN LENGTH	100cm
CABLE TYPE	MLCA020 Black Fabric Braided Cable 3 Core Twisted

FIXING BRACKET: MLROSE05GRIP | Polished Chrome

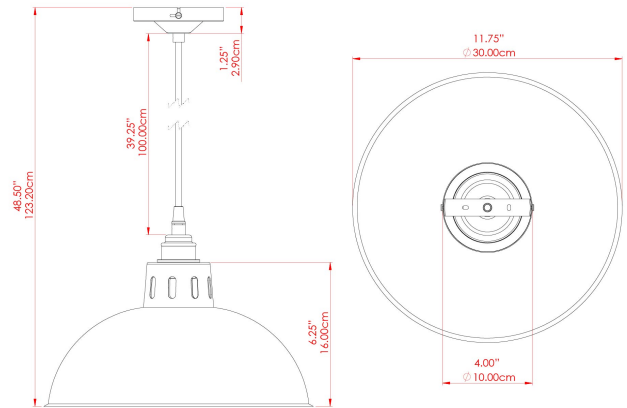


Product Notes:
 1) Bulbs not included. 2) Dimensions do not include bulbs. 3) All products are individually made-to-order and therefore may differ slightly within manufacturing tolerances. 4) Cable / chain can be shortened during installation. Longer cable / chain lengths available on request. 5) Additional colour finishes may be available on request. 6) Refer to our website for a full list of terms and conditions.



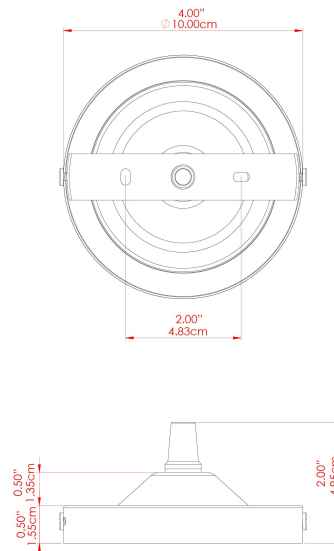
OSSON Pendant

MLP262PCGRN Sage Green



MATERIAL	Brass Aluminium
HEIGHT	22cm
WIDTH DIAMETER	30cm
LENGTH PROJECTION	n/a
WEIGHT	0.46 kg
LAMPHOLDER	E27
MAX WATTAGE	60W
VOLTAGE	220/240v
IP RATING	IP20
CLASS PROTECTION	Class I
SHADE	-
FLEX BAR CHAIN LENGTH	100cm
CABLE TYPE	MLCA020 Black Fabric Braided Cable 3 Core Twisted

FIXING BRACKET: MLROSE05GRIP | Polished Chrome

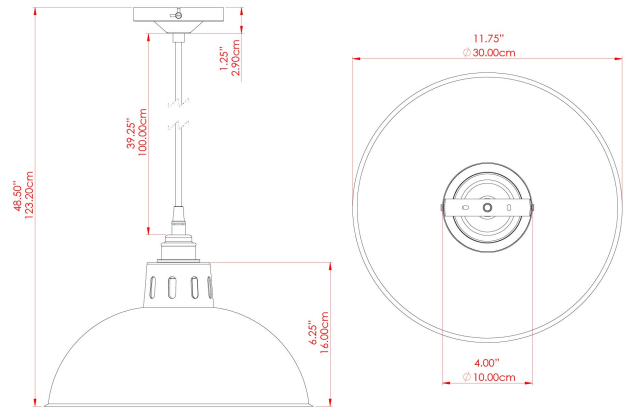


Product Notes:
 1) Bulbs not included. 2) Dimensions do not include bulbs. 3) All products are individually made-to-order and therefore may differ slightly within manufacturing tolerances. 4) Cable / chain can be shortened during installation. Longer cable / chain lengths available on request. 5) Additional colour finishes may be available on request. 6) Refer to our website for a full list of terms and conditions.



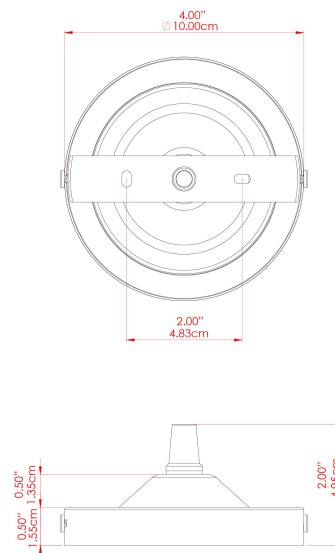
OSSON Pendant

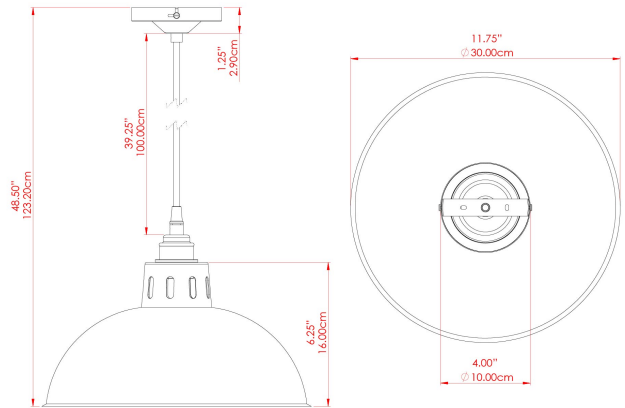
MLP262PCWTE White



MATERIAL	Brass Aluminium
HEIGHT	22cm
WIDTH DIAMETER	30cm
LENGTH PROJECTION	n/a
WEIGHT	0.46 kg
LAMPHOLDER	E27
MAX WATTAGE	60W
VOLTAGE	220/240v
IP RATING	IP20
CLASS PROTECTION	Class I
SHADE	-
FLEX BAR CHAIN LENGTH	100cm
CABLE TYPE	MLCA020 Black Fabric Braided Cable 3 Core Twisted

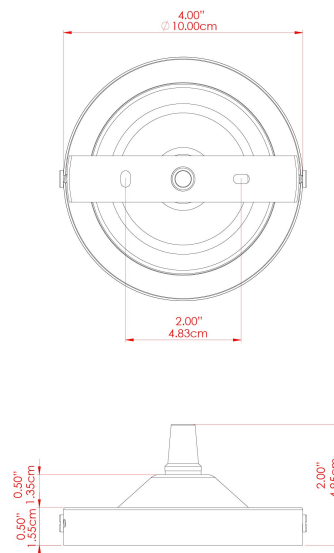
FIXING BRACKET: MLROSE05GRIP | Polished Chrome





MATERIAL	Brass Aluminium
HEIGHT	22cm
WIDTH DIAMETER	30cm
LENGTH PROJECTION	n/a
WEIGHT	0.46 kg
LAMPHOLDER	E27
MAX WATTAGE	60W
VOLTAGE	220/240v
IP RATING	IP20
CLASS PROTECTION	Class I
SHADE	-
FLEX BAR CHAIN LENGTH	100cm
CABLE TYPE	MLCA020 Black Fabric Braided Cable 3 Core Twisted

FIXING BRACKET: MLROSE05GRIP | Polished Chrome



Product Notes:
 1) Bulbs not included. 2) Dimensions do not include bulbs. 3) All products are individually made-to-order and therefore may differ slightly within manufacturing tolerances. 4) Cable / chain can be shortened during installation. Longer cable / chain lengths available on request. 5) Additional colour finishes may be available on request. 6) Refer to our website for a full list of terms and conditions.

