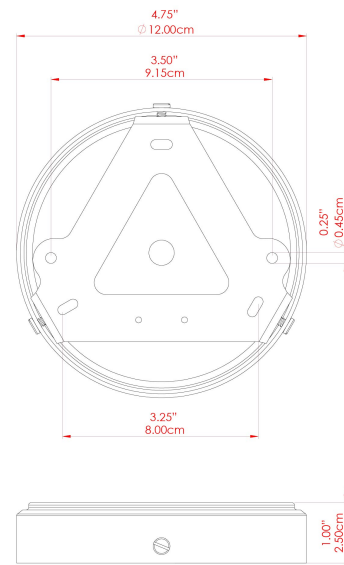
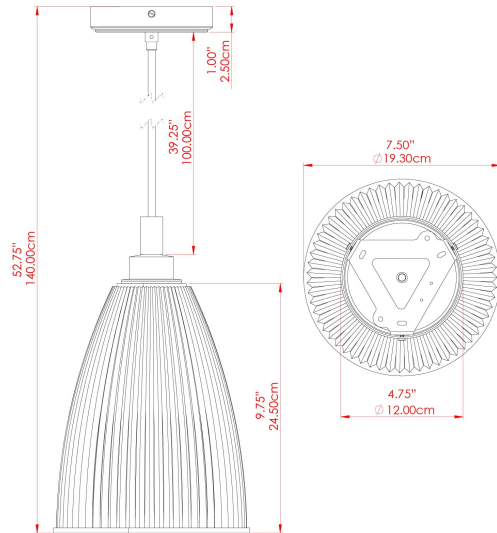


| | |
|---------------------------|---|
| MATERIAL | Brass Glass |
| HEIGHT | 28cm |
| WIDTH DIAMETER | 20cm |
| LENGTH PROJECTION | n/a |
| WEIGHT | 2.5 kg |
| LAMPHOLDER | E27 |
| MAX WATTAGE | 6.5W |
| VOLTAGE | 220/240v |
| IP RATING | IP65 |
| CLASS PROTECTION | Class II |
| SHADE | GL129 GLWP01 |
| FLEX BAR CHAIN LENGTH | 100cm |
| CABLE TYPE | MLOCA001 Brown Fabric Braided Outdoor Rubber Cable 2 Core Round |

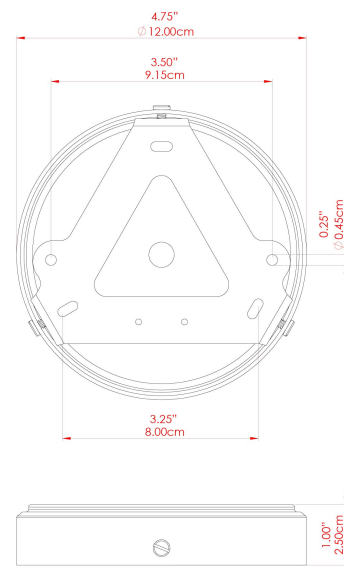
FIXING BRACKET: MLROSE39 | Antique Brass

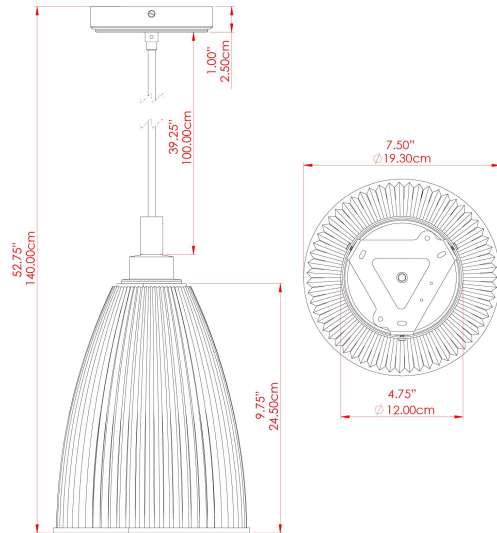




| | |
|---------------------------|---|
| MATERIAL | Brass Glass |
| HEIGHT | 28cm |
| WIDTH DIAMETER | 20cm |
| LENGTH PROJECTION | n/a |
| WEIGHT | 2.5 kg |
| LAMPHOLDER | E27 |
| MAX WATTAGE | 6.5W |
| VOLTAGE | 220/240v |
| IP RATING | IP65 |
| CLASS PROTECTION | Class II |
| SHADE | GL129 GLWP02 |
| FLEX BAR CHAIN LENGTH | 100cm |
| CABLE TYPE | MLOCA001 Brown Fabric Braided Outdoor Rubber Cable 2 Core Round |

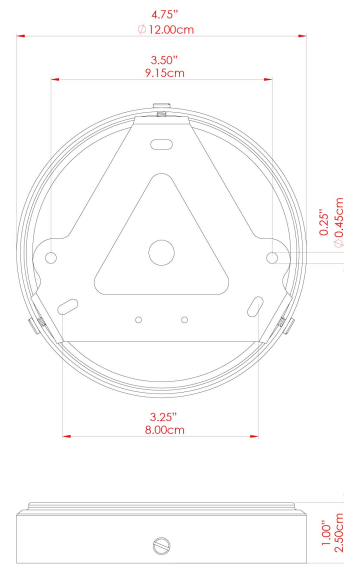
FIXING BRACKET: MLROSE39 | Antique Brass





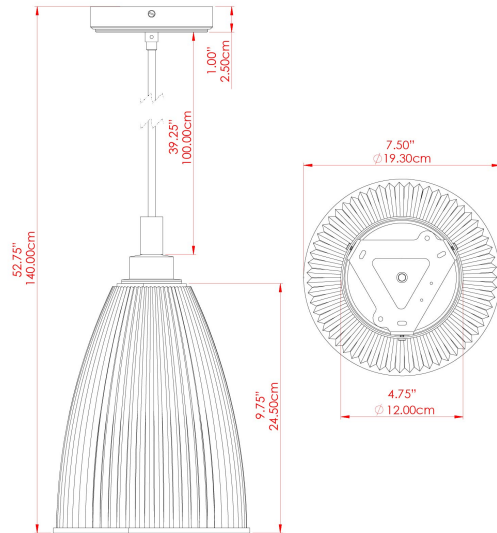
| | |
|---------------------------|---|
| MATERIAL | Brass Glass |
| HEIGHT | 28cm |
| WIDTH DIAMETER | 20cm |
| LENGTH PROJECTION | n/a |
| WEIGHT | 2.5 kg |
| LAMPHOLDER | E27 |
| MAX WATTAGE | 6.5W |
| VOLTAGE | 220/240v |
| IP RATING | IP65 |
| CLASS PROTECTION | Class II |
| SHADE | GL129 GLWP01 |
| FLEX BAR CHAIN LENGTH | 100cm |
| CABLE TYPE | MLOCA002 Black Fabric Braided Outdoor Rubber Cable 2 Core Round |

FIXING BRACKET: MLROSE39 | Antique Silver



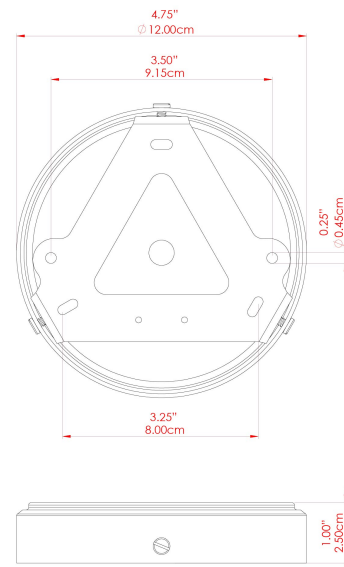
Product Notes:
 1) Bulbs not included. 2) Dimensions do not include bulbs. 3) All products are individually made-to-order and therefore may differ slightly within manufacturing tolerances. 4) Cable / chain can be shortened during installation. Longer cable / chain lengths available on request. 5) Additional colour finishes may be available on request. 6) Refer to our website for a full list of terms and conditions.





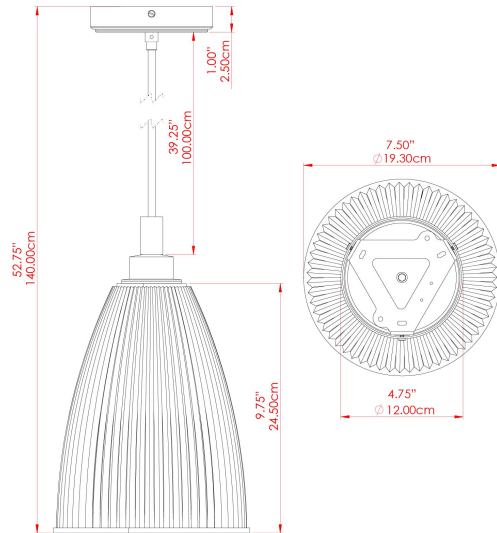
| | |
|---------------------------|---|
| MATERIAL | Brass Glass |
| HEIGHT | 28cm |
| WIDTH DIAMETER | 20cm |
| LENGTH PROJECTION | n/a |
| WEIGHT | 2.5 kg |
| LAMPHOLDER | E27 |
| MAX WATTAGE | 6.5W |
| VOLTAGE | 220/240v |
| IP RATING | IP65 |
| CLASS PROTECTION | Class II |
| SHADE | GL129 GLWP02 |
| FLEX BAR CHAIN LENGTH | 100cm |
| CABLE TYPE | MLOCA002 Black Fabric Braided Outdoor Rubber Cable 2 Core Round |

FIXING BRACKET: MLROSE39 | Antique Silver



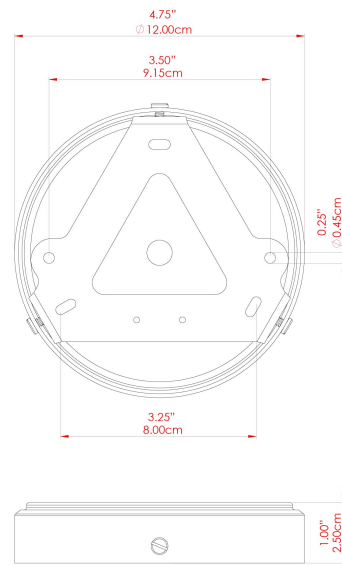
Product Notes:
 1) Bulbs not included. 2) Dimensions do not include bulbs. 3) All products are individually made-to-order and therefore may differ slightly within manufacturing tolerances. 4) Cable / chain can be shortened during installation. Longer cable / chain lengths available on request. 5) Additional colour finishes may be available on request. 6) Refer to our website for a full list of terms and conditions.





| | |
|---------------------------|---|
| MATERIAL | Brass Glass |
| HEIGHT | 28cm |
| WIDTH DIAMETER | 20cm |
| LENGTH PROJECTION | n/a |
| WEIGHT | 2.5 kg |
| LAMPHOLDER | E27 |
| MAX WATTAGE | 6.5W |
| VOLTAGE | 220/240v |
| IP RATING | IP65 |
| CLASS PROTECTION | Class II |
| SHADE | GL129 GLWP01 |
| FLEX BAR CHAIN LENGTH | 100cm |
| CABLE TYPE | MLOCA002 Black Fabric Braided Outdoor Rubber Cable 2 Core Round |

FIXING BRACKET: MLROSE39 | Matt Black

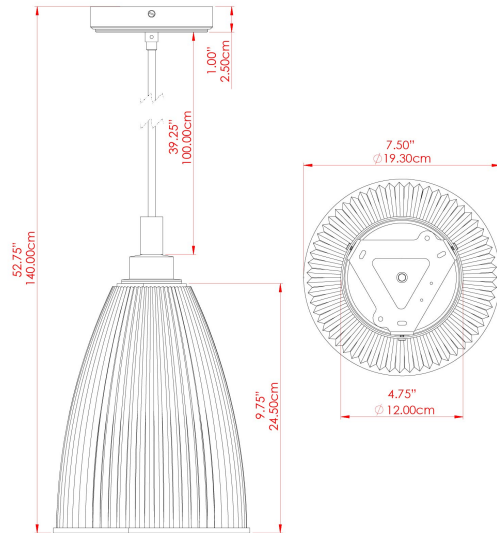


WWW.MULLANLIGHTING.COM

Product Notes:

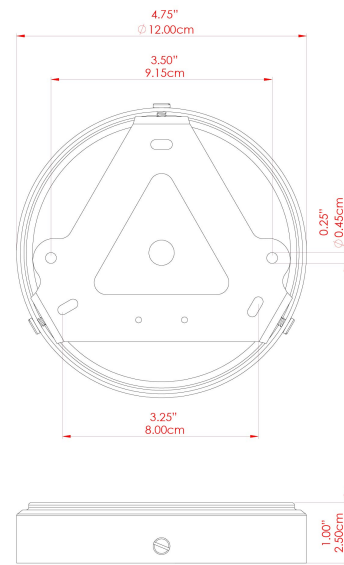
1) Bulbs not included. 2) Dimensions do not include bulbs. 3) All products are individually made-to-order and therefore may differ slightly within manufacturing tolerances. 4) Cable / chain can be shortened during installation. Longer cable / chain lengths available on request. 5) Additional colour finishes may be available on request. 6) Refer to our website for a full list of terms and conditions.





| | |
|---------------------------|---|
| MATERIAL | Brass Glass |
| HEIGHT | 28cm |
| WIDTH DIAMETER | 20cm |
| LENGTH PROJECTION | n/a |
| WEIGHT | 2.5 kg |
| LAMPHOLDER | E27 |
| MAX WATTAGE | 6.5W |
| VOLTAGE | 220/240v |
| IP RATING | IP65 |
| CLASS PROTECTION | Class II |
| SHADE | GL129 GLWP02 |
| FLEX BAR CHAIN LENGTH | 100cm |
| CABLE TYPE | MLOCA002 Black Fabric Braided Outdoor Rubber Cable 2 Core Round |

FIXING BRACKET: MLROSE39 | Matt Black

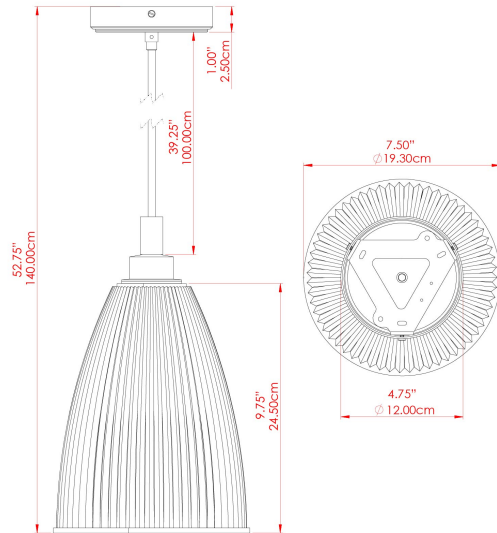


WWW.MULLANLIGHTING.COM

Product Notes:

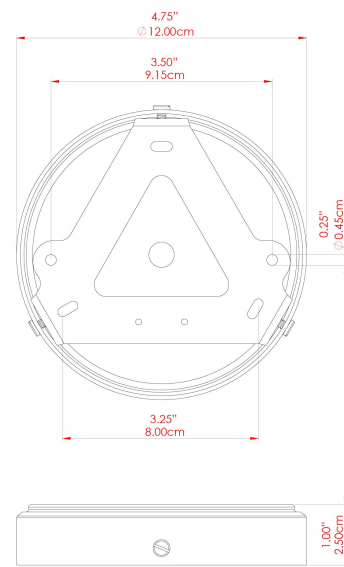
1) Bulbs not included. 2) Dimensions do not include bulbs. 3) All products are individually made-to-order and therefore may differ slightly within manufacturing tolerances. 4) Cable / chain can be shortened during installation. Longer cable / chain lengths available on request. 5) Additional colour finishes may be available on request. 6) Refer to our website for a full list of terms and conditions.

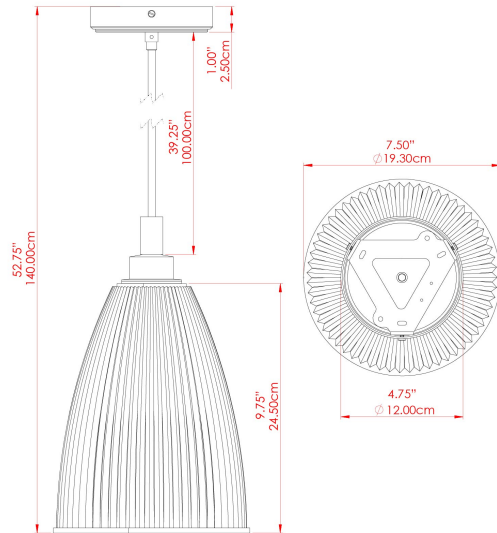




| | |
|---------------------------|---|
| MATERIAL | Brass Glass |
| HEIGHT | 28cm |
| WIDTH DIAMETER | 20cm |
| LENGTH PROJECTION | n/a |
| WEIGHT | 2.5 kg |
| LAMPHOLDER | E27 |
| MAX WATTAGE | 6.5W |
| VOLTAGE | 220/240v |
| IP RATING | IP65 |
| CLASS PROTECTION | Class II |
| SHADE | GL129 GLWP01 |
| FLEX BAR CHAIN LENGTH | 100cm |
| CABLE TYPE | MLOCA002 Black Fabric Braided Outdoor Rubber Cable 2 Core Round |

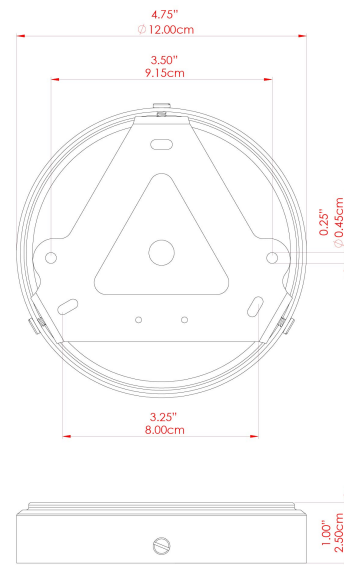
FIXING BRACKET: MLROSE39 | Natural Brass

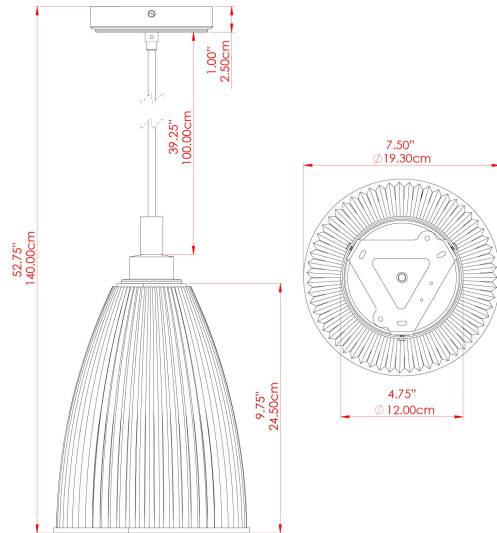




| | |
|---------------------------|---|
| MATERIAL | Brass Glass |
| HEIGHT | 28cm |
| WIDTH DIAMETER | 20cm |
| LENGTH PROJECTION | n/a |
| WEIGHT | 2.5 kg |
| LAMPHOLDER | E27 |
| MAX WATTAGE | 6.5W |
| VOLTAGE | 220/240v |
| IP RATING | IP65 |
| CLASS PROTECTION | Class II |
| SHADE | GL129 GLWP02 |
| FLEX BAR CHAIN LENGTH | 100cm |
| CABLE TYPE | MLOCA002 Black Fabric Braided Outdoor Rubber Cable 2 Core Round |

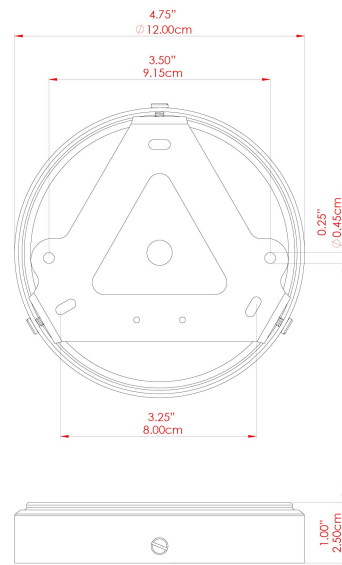
FIXING BRACKET: MLROSE39 | Natural Brass





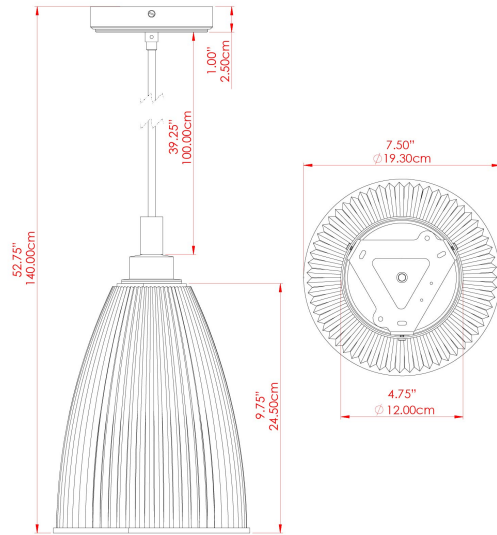
| | |
|---------------------------|---|
| MATERIAL | Brass Glass |
| HEIGHT | 28cm |
| WIDTH DIAMETER | 20cm |
| LENGTH PROJECTION | n/a |
| WEIGHT | 2.5 kg |
| LAMPHOLDER | E27 |
| MAX WATTAGE | 6.5W |
| VOLTAGE | 220/240v |
| IP RATING | IP65 |
| CLASS PROTECTION | Class II |
| SHADE | GL129 GLWP01 |
| FLEX BAR CHAIN LENGTH | 100cm |
| CABLE TYPE | MLOCA002 Black Fabric Braided Outdoor Rubber Cable 2 Core Round |

FIXING BRACKET: MLROSE39 | Polished Brass



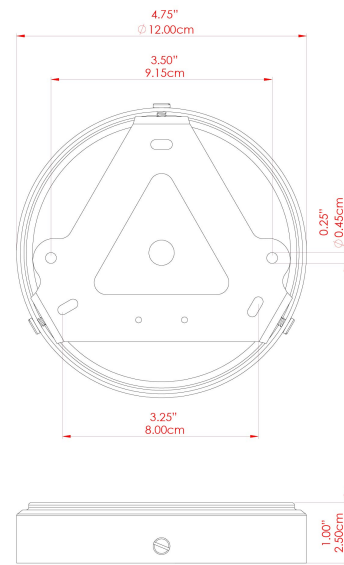
Product Notes:
 1) Bulbs not included. 2) Dimensions do not include bulbs. 3) All products are individually made-to-order and therefore may differ slightly within manufacturing tolerances. 4) Cable / chain can be shortened during installation. Longer cable / chain lengths available on request. 5) Additional colour finishes may be available on request. 6) Refer to our website for a full list of terms and conditions.





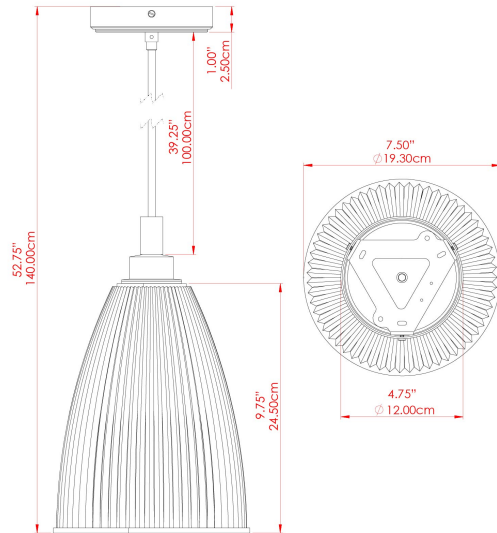
| | |
|---------------------------|---|
| MATERIAL | Brass Glass |
| HEIGHT | 28cm |
| WIDTH DIAMETER | 20cm |
| LENGTH PROJECTION | n/a |
| WEIGHT | 2.5 kg |
| LAMPHOLDER | E27 |
| MAX WATTAGE | 6.5W |
| VOLTAGE | 220/240v |
| IP RATING | IP65 |
| CLASS PROTECTION | Class II |
| SHADE | GL129 GLWP02 |
| FLEX BAR CHAIN LENGTH | 100cm |
| CABLE TYPE | MLOCA002 Black Fabric Braided Outdoor Rubber Cable 2 Core Round |

FIXING BRACKET: MLROSE39 | Polished Brass



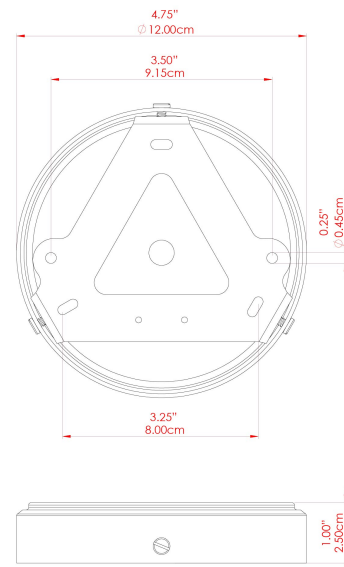
Product Notes:
 1) Bulbs not included. 2) Dimensions do not include bulbs. 3) All products are individually made-to-order and therefore may differ slightly within manufacturing tolerances. 4) Cable / chain can be shortened during installation. Longer cable / chain lengths available on request. 5) Additional colour finishes may be available on request. 6) Refer to our website for a full list of terms and conditions.

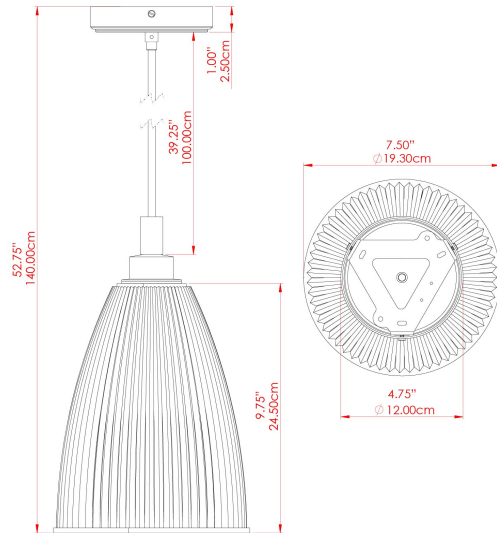




| | |
|---------------------------|---|
| MATERIAL | Brass Glass |
| HEIGHT | 28cm |
| WIDTH DIAMETER | 20cm |
| LENGTH PROJECTION | n/a |
| WEIGHT | 2.5 kg |
| LAMPHOLDER | E27 |
| MAX WATTAGE | 6.5W |
| VOLTAGE | 220/240v |
| IP RATING | IP65 |
| CLASS PROTECTION | Class II |
| SHADE | GL129 GLWP01 |
| FLEX BAR CHAIN LENGTH | 100cm |
| CABLE TYPE | MLOCA002 Black Fabric Braided Outdoor Rubber Cable 2 Core Round |

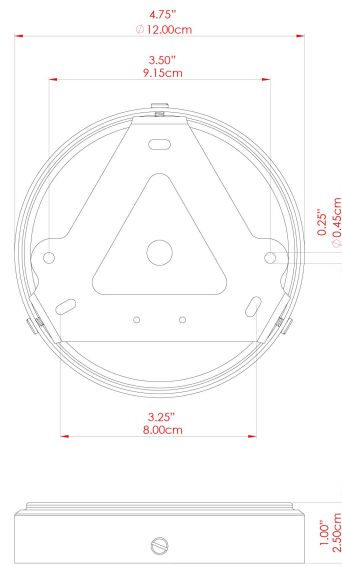
FIXING BRACKET: MLROSE39 | Polished Chrome

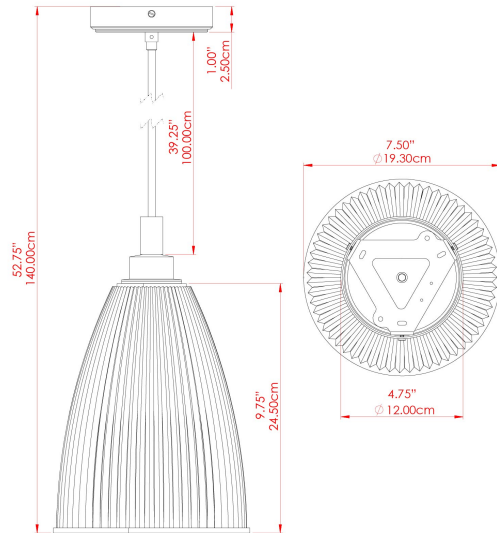




| | |
|---------------------------|---|
| MATERIAL | Brass Glass |
| HEIGHT | 28cm |
| WIDTH DIAMETER | 20cm |
| LENGTH PROJECTION | n/a |
| WEIGHT | 2.5 kg |
| LAMPHOLDER | E27 |
| MAX WATTAGE | 6.5W |
| VOLTAGE | 220/240v |
| IP RATING | IP65 |
| CLASS PROTECTION | Class II |
| SHADE | GL129 GLWP02 |
| FLEX BAR CHAIN LENGTH | 100cm |
| CABLE TYPE | MLOCA002 Black Fabric Braided Outdoor Rubber Cable 2 Core Round |

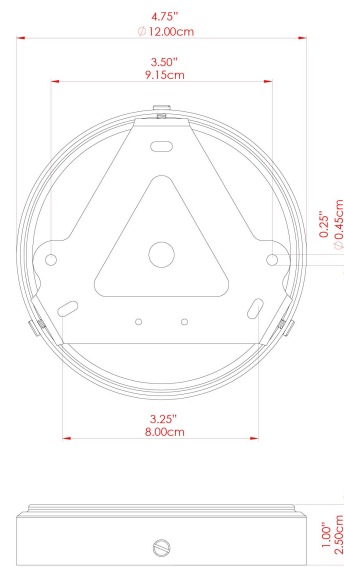
FIXING BRACKET: MLROSE39 | Polished Chrome

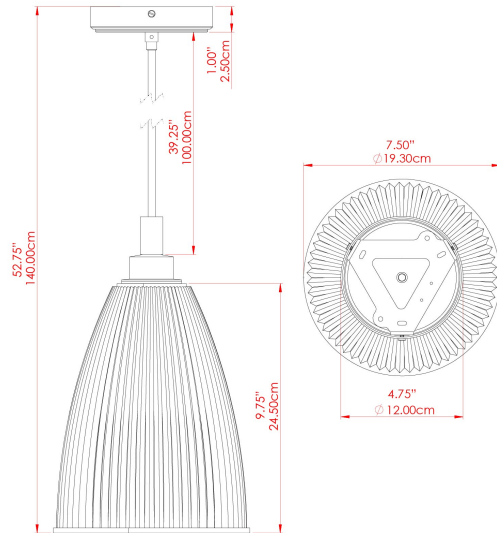




| | |
|---------------------------|---|
| MATERIAL | Brass Glass |
| HEIGHT | 28cm |
| WIDTH DIAMETER | 20cm |
| LENGTH PROJECTION | n/a |
| WEIGHT | 2.5 kg |
| LAMPHOLDER | E27 |
| MAX WATTAGE | 6.5W |
| VOLTAGE | 220/240v |
| IP RATING | IP65 |
| CLASS PROTECTION | Class II |
| SHADE | GL129 GLWP01 |
| FLEX BAR CHAIN LENGTH | 100cm |
| CABLE TYPE | MLOCA002 Black Fabric Braided Outdoor Rubber Cable 2 Core Round |

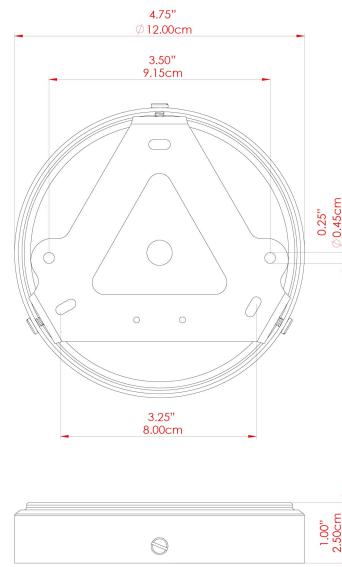
FIXING BRACKET: MLROSE39 | Satin Brass

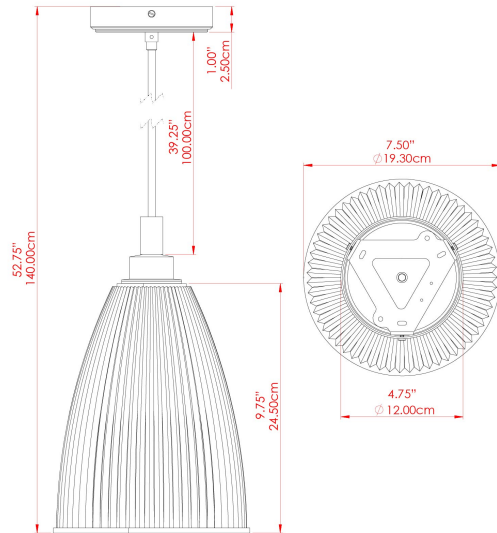




| | |
|---------------------------|---|
| MATERIAL | Brass Glass |
| HEIGHT | 28cm |
| WIDTH DIAMETER | 20cm |
| LENGTH PROJECTION | n/a |
| WEIGHT | 2.5 kg |
| LAMPHOLDER | E27 |
| MAX WATTAGE | 6.5W |
| VOLTAGE | 220/240v |
| IP RATING | IP65 |
| CLASS PROTECTION | Class II |
| SHADE | GL129 GLWP02 |
| FLEX BAR CHAIN LENGTH | 100cm |
| CABLE TYPE | MLOCA002 Black Fabric Braided Outdoor Rubber Cable 2 Core Round |

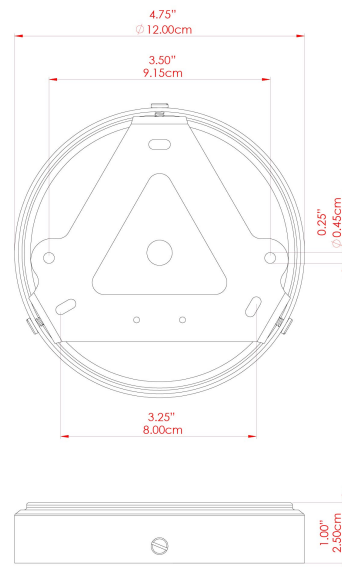
FIXING BRACKET: MLROSE39 | Satin Brass

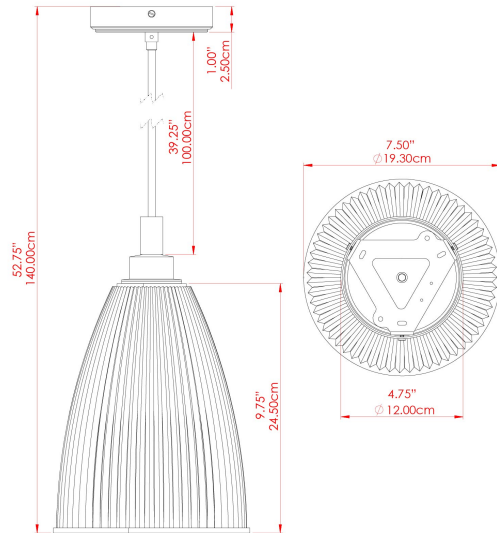




| | |
|---------------------------|---|
| MATERIAL | Brass Glass |
| HEIGHT | 28cm |
| WIDTH DIAMETER | 20cm |
| LENGTH PROJECTION | n/a |
| WEIGHT | 2.5 kg |
| LAMPHOLDER | E27 |
| MAX WATTAGE | 6.5W |
| VOLTAGE | 220/240v |
| IP RATING | IP65 |
| CLASS PROTECTION | Class II |
| SHADE | GL129 GLWP01 |
| FLEX BAR CHAIN LENGTH | 100cm |
| CABLE TYPE | MLOCA002 Black Fabric Braided Outdoor Rubber Cable 2 Core Round |

FIXING BRACKET: MLROSE39 | White





| | |
|---------------------------|---|
| MATERIAL | Brass Glass |
| HEIGHT | 28cm |
| WIDTH DIAMETER | 20cm |
| LENGTH PROJECTION | n/a |
| WEIGHT | 2.5 kg |
| LAMPHOLDER | E27 |
| MAX WATTAGE | 6.5W |
| VOLTAGE | 220/240v |
| IP RATING | IP65 |
| CLASS PROTECTION | Class II |
| SHADE | GL129 GLWP02 |
| FLEX BAR CHAIN LENGTH | 100cm |
| CABLE TYPE | MLOCA002 Black Fabric Braided Outdoor Rubber Cable 2 Core Round |

FIXING BRACKET: MLROSE39 | White

