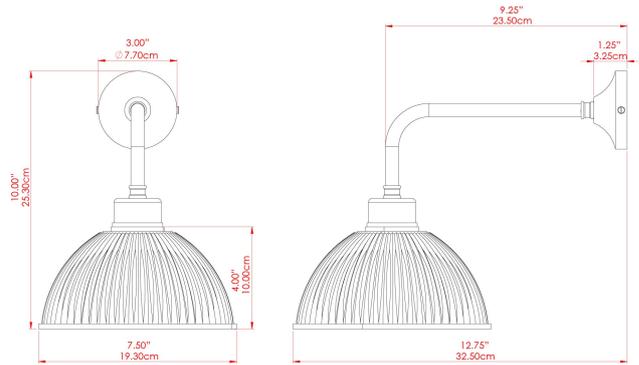


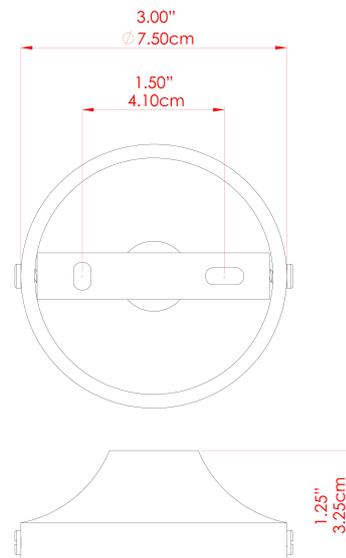
# DHAKA Wall Light

# MLWL227ANTBRS Antique Brass



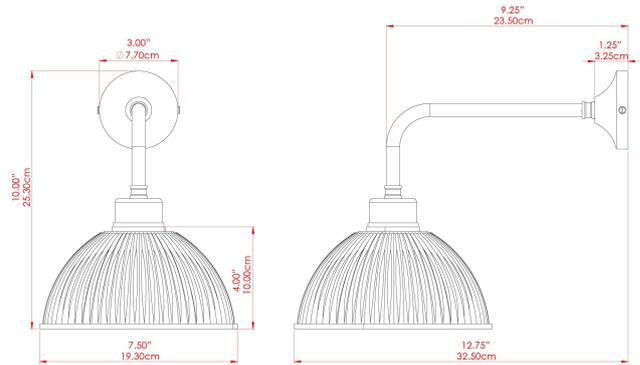
MATERIAL	Brass   Glass
HEIGHT	28cm
WIDTH   DIAMETER	21.5cm
LENGTH   PROJECTION	31cm
WEIGHT	1 kg
LAMPHOLDER	E27
MAX WATTAGE	40W
VOLTAGE	220/240v
IP RATING	IP20
CLASS PROTECTION	Class I
SHADE	GL096
FLEX   BAR   CHAIN LENGTH	n/a
CABLE TYPE	-

### FIXING BRACKET: MLWB03 | Antique Brass



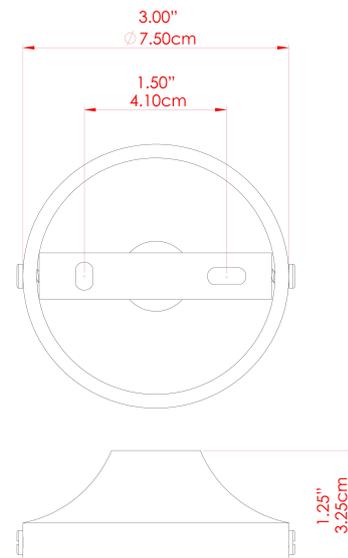
# DHAKA Wall Light

## MLWL227ANTSLV Antique Silver



MATERIAL	Brass   Glass
HEIGHT	28cm
WIDTH   DIAMETER	21.5cm
LENGTH   PROJECTION	31cm
WEIGHT	1 kg
LAMPHOLDER	E27
MAX WATTAGE	40W
VOLTAGE	220/240v
IP RATING	IP20
CLASS PROTECTION	Class I
SHADE	GL096
FLEX   BAR   CHAIN LENGTH	n/a
CABLE TYPE	-

### FIXING BRACKET: MLWB03 | Antique Silver



WWW.MULLANLIGHTING.COM

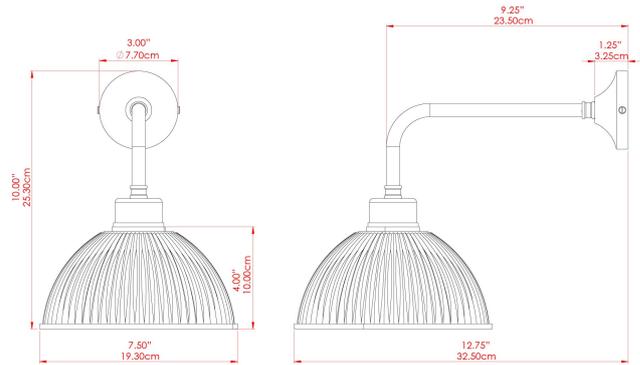
#### Product Notes:

1) Bulbs not included. 2) Dimensions do not include bulbs. 3) All products are individually made-to-order and therefore may differ slightly within manufacturing tolerances. 4) Cable / chain can be shortened during installation. Longer cable / chain lengths available on request. 5) Additional colour finishes may be available on request. 6) Refer to our website for a full list of terms and conditions.



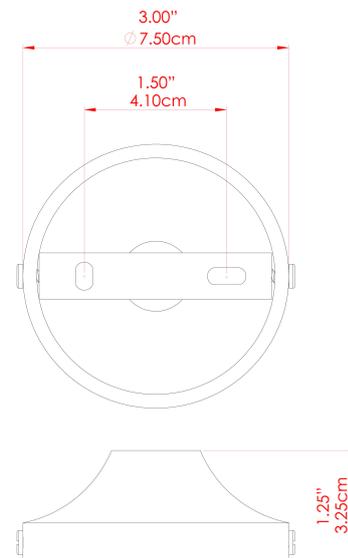
# DHAKA Wall Light

## MLWL227POLBRS Polished Brass



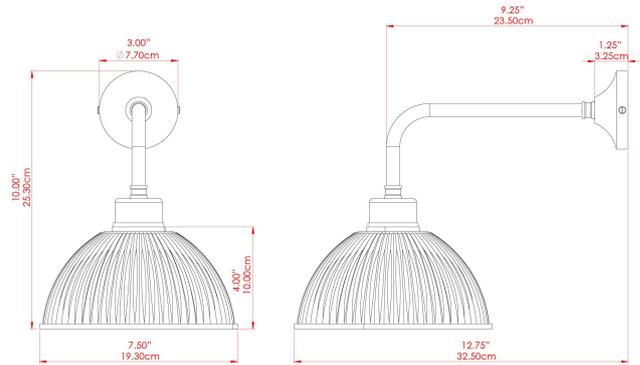
MATERIAL	Brass   Glass
HEIGHT	28cm
WIDTH   DIAMETER	21.5cm
LENGTH   PROJECTION	31cm
WEIGHT	1 kg
LAMPHOLDER	E27
MAX WATTAGE	40W
VOLTAGE	220/240v
IP RATING	IP20
CLASS PROTECTION	Class I
SHADE	GL096
FLEX   BAR   CHAIN LENGTH	n/a
CABLE TYPE	-

### FIXING BRACKET: MLWB03 | Polished Brass



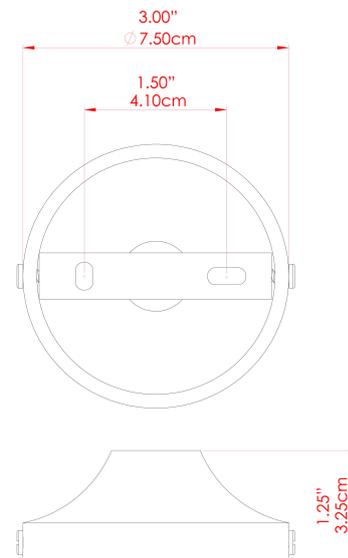
# DHAKA Wall Light

MLWL227SATBRS Satin Brass



MATERIAL	Brass   Glass
HEIGHT	28cm
WIDTH   DIAMETER	21.5cm
LENGTH   PROJECTION	31cm
WEIGHT	1 kg
LAMPHOLDER	E27
MAX WATTAGE	40W
VOLTAGE	220/240v
IP RATING	IP20
CLASS PROTECTION	Class I
SHADE	GL096
FLEX   BAR   CHAIN LENGTH	n/a
CABLE TYPE	-

### FIXING BRACKET: MLWB03 | Satin Brass



Product Notes:  
 1) Bulbs not included. 2) Dimensions do not include bulbs. 3) All products are individually made-to-order and therefore may differ slightly within manufacturing tolerances. 4) Cable / chain can be shortened during installation. Longer cable / chain lengths available on request. 5) Additional colour finishes may be available on request. 6) Refer to our website for a full list of terms and conditions.

