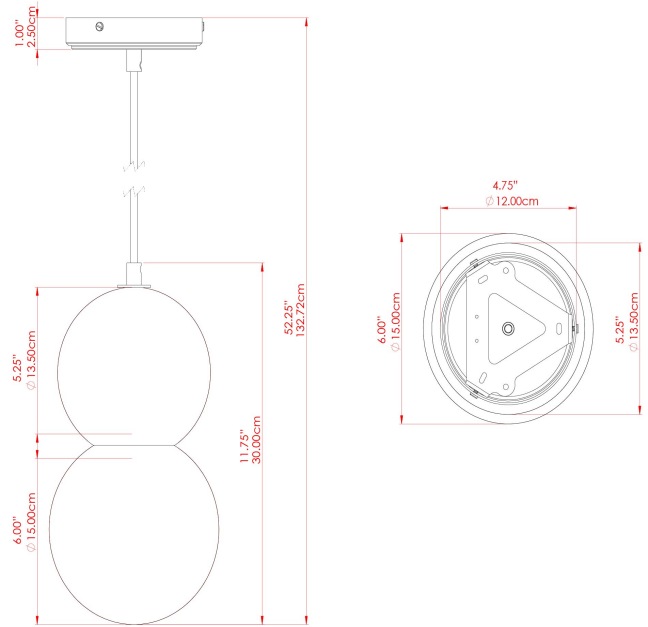


# ROSA Ceramic Pendant

# MLCMP035ANTBRS Antique Brass



MATERIAL	Brass
HEIGHT	30cm
WIDTH   DIAMETER	15cm
LENGTH   PROJECTION	n/a
WEIGHT	0.9 kg
LAMPHOLDER	G9
MAX WATTAGE	6.5W
VOLTAGE	220/240v
IP RATING	IP20
CLASS PROTECTION	Class I
SHADE	GL171   MLCS041
FLEX   BAR   CHAIN LENGTH	100cm
CABLE TYPE	MLCA047   Brown Fabric Braided Cable   2 Core Round

### FIXING BRACKET: MLWB17 | Antique Brass

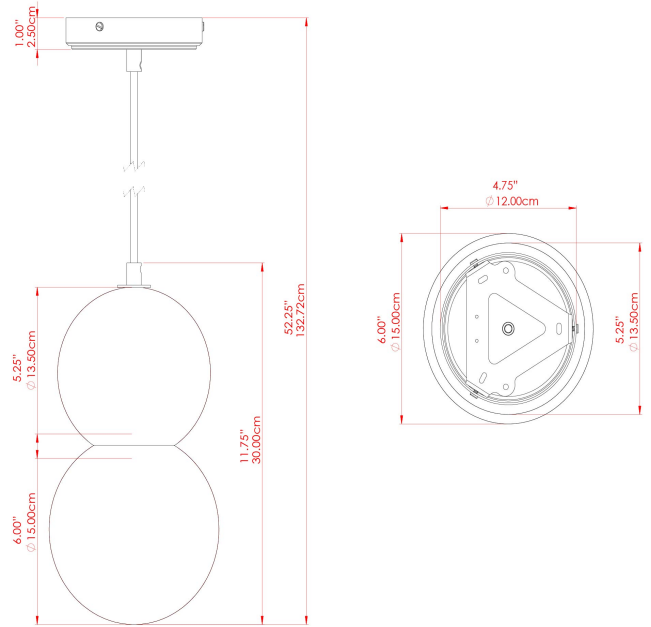


Product Notes:  
 1) Bulbs not included. 2) Dimensions do not include bulbs. 3) All products are individually made-to-order and therefore may differ slightly within manufacturing tolerances. 4) Cable / chain can be shortened during installation. Longer cable / chain lengths available on request. 5) Additional colour finishes may be available on request. 6) Refer to our website for a full list of terms and conditions.



# ROSA Ceramic Pendant

# MLCMP035ANTSLV Antique Silver



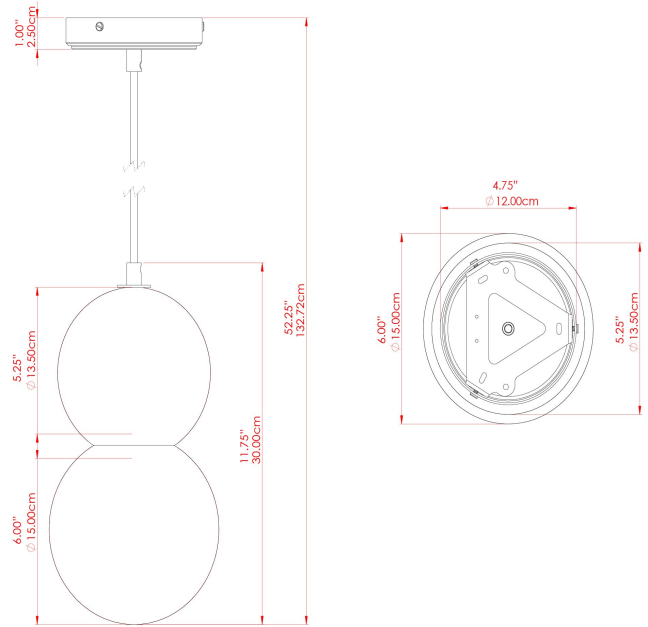
MATERIAL	Brass
HEIGHT	30cm
WIDTH   DIAMETER	15cm
LENGTH   PROJECTION	n/a
WEIGHT	0.9 kg
LAMPHOLDER	G9
MAX WATTAGE	6.5W
VOLTAGE	220/240v
IP RATING	IP20
CLASS PROTECTION	Class I
SHADE	GL171   MLCS041
FLEX   BAR   CHAIN LENGTH	100cm
CABLE TYPE	MLCA028   Black Fabric Braided Cable   2 Core Round

### FIXING BRACKET: MLWB17 | Antique Silver



# ROSA Ceramic Pendant

MLCMP035PCMBK Matt Black



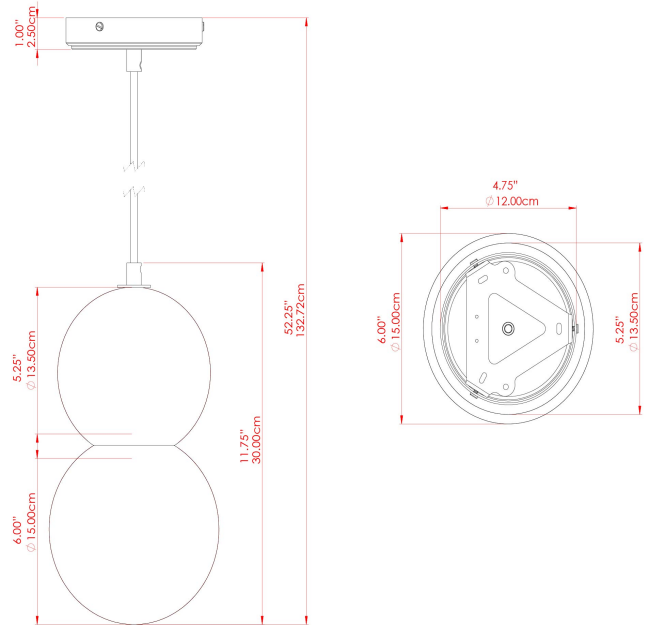
MATERIAL	Brass
HEIGHT	30cm
WIDTH   DIAMETER	15cm
LENGTH   PROJECTION	n/a
WEIGHT	0.9 kg
LAMPHOLDER	G9
MAX WATTAGE	6.5W
VOLTAGE	220/240v
IP RATING	IP20
CLASS PROTECTION	Class I
SHADE	GL171   MLCS041
FLEX   BAR   CHAIN LENGTH	100cm
CABLE TYPE	MLCA028   Black Fabric Braided Cable   2 Core Round

## FIXING BRACKET: MLWB17 | Matt Black



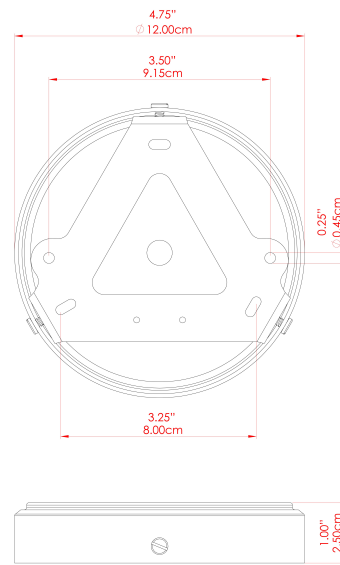
# ROSA Ceramic Pendant

# MLCMP035POLBRS Polished Brass



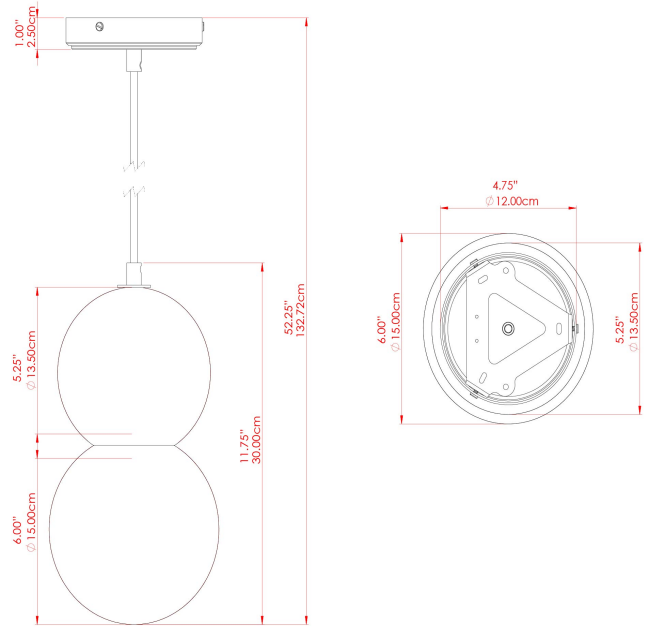
MATERIAL	Brass
HEIGHT	30cm
WIDTH   DIAMETER	15cm
LENGTH   PROJECTION	n/a
WEIGHT	0.9 kg
LAMPHOLDER	G9
MAX WATTAGE	6.5W
VOLTAGE	220/240v
IP RATING	IP20
CLASS PROTECTION	Class I
SHADE	GL171   MLCS041
FLEX   BAR   CHAIN LENGTH	100cm
CABLE TYPE	MLCA028   Black Fabric Braided Cable   2 Core Round

### FIXING BRACKET: MLWB17 | Polished Brass



# ROSA Ceramic Pendant

## MLCMP035SATBRS Satin Brass



MATERIAL	Brass
HEIGHT	30cm
WIDTH   DIAMETER	15cm
LENGTH   PROJECTION	n/a
WEIGHT	0.9 kg
LAMPHOLDER	G9
MAX WATTAGE	6.5W
VOLTAGE	220/240v
IP RATING	IP20
CLASS PROTECTION	Class I
SHADE	GL171   MLCS041
FLEX   BAR   CHAIN LENGTH	100cm
CABLE TYPE	MLCA028   Black Fabric Braided Cable   2 Core Round

### FIXING BRACKET: MLWB17 | Satin Brass

