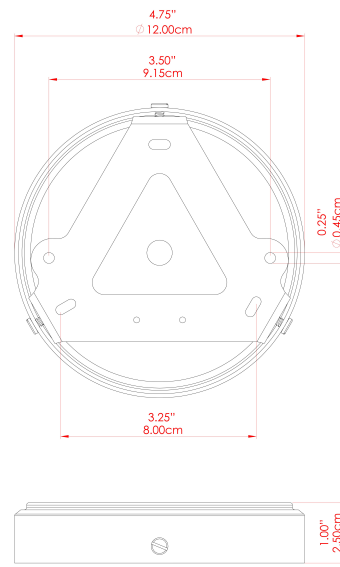


MATERIAL	Brass   Glass
HEIGHT	32.5cm
WIDTH   DIAMETER	30cm
LENGTH   PROJECTION	42cm
WEIGHT	1.5 kg
LAMPHOLDER	E27
MAX WATTAGE	6.5W
VOLTAGE	220/240v
IP RATING	IP65
CLASS PROTECTION	Class II
SHADE	GLWP01
FLEX   BAR   CHAIN LENGTH	n/a
CABLE TYPE	-

### FIXING BRACKET: MLWB17 | Antique Brass

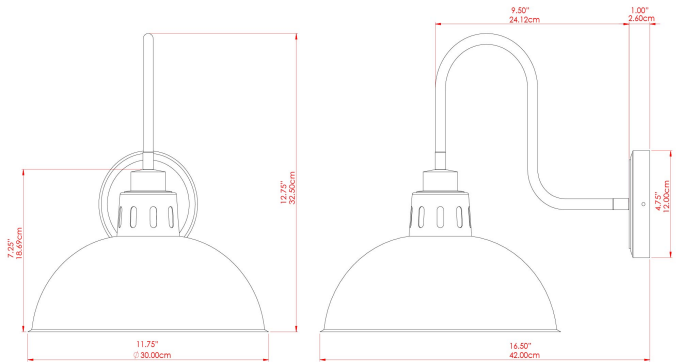


WWW.MULLANLIGHTING.COM

#### Product Notes:

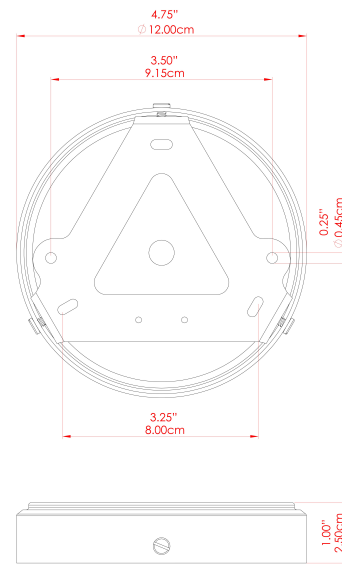
1) Bulbs not included. 2) Dimensions do not include bulbs. 3) All products are individually made-to-order and therefore may differ slightly within manufacturing tolerances. 4) Cable / chain can be shortened during installation. Longer cable / chain lengths available on request. 5) Additional colour finishes may be available on request. 6) Refer to our website for a full list of terms and conditions.





MATERIAL	Brass   Glass
HEIGHT	32.5cm
WIDTH   DIAMETER	30cm
LENGTH   PROJECTION	42cm
WEIGHT	1.5 kg
LAMPHOLDER	E27
MAX WATTAGE	6.5W
VOLTAGE	220/240v
IP RATING	IP65
CLASS PROTECTION	Class II
SHADE	GLWP02
FLEX   BAR   CHAIN LENGTH	n/a
CABLE TYPE	-

### FIXING BRACKET: MLWB17 | Antique Brass

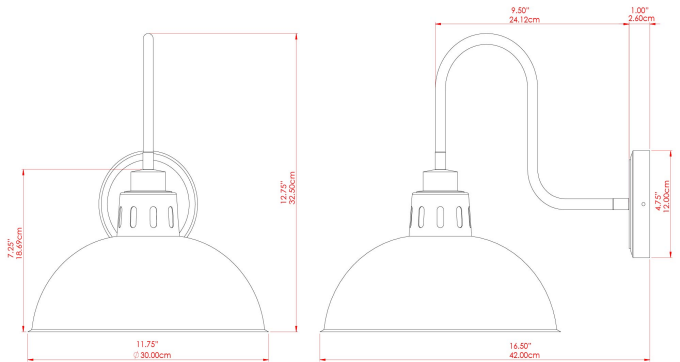


WWW.MULLANLIGHTING.COM

#### Product Notes:

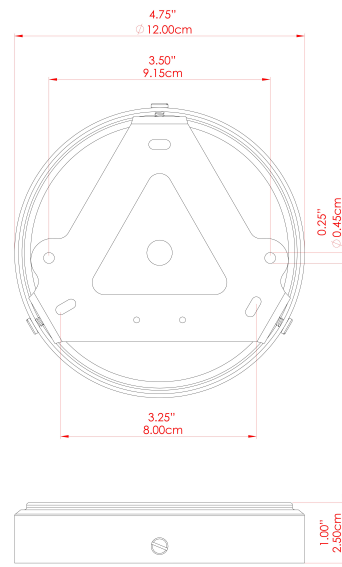
1) Bulbs not included. 2) Dimensions do not include bulbs. 3) All products are individually made-to-order and therefore may differ slightly within manufacturing tolerances. 4) Cable / chain can be shortened during installation. Longer cable / chain lengths available on request. 5) Additional colour finishes may be available on request. 6) Refer to our website for a full list of terms and conditions.





MATERIAL	Brass   Glass
HEIGHT	32.5cm
WIDTH   DIAMETER	30cm
LENGTH   PROJECTION	42cm
WEIGHT	1.5 kg
LAMPHOLDER	E27
MAX WATTAGE	6.5W
VOLTAGE	220/240v
IP RATING	IP65
CLASS PROTECTION	Class II
SHADE	GLWP01
FLEX   BAR   CHAIN LENGTH	n/a
CABLE TYPE	-

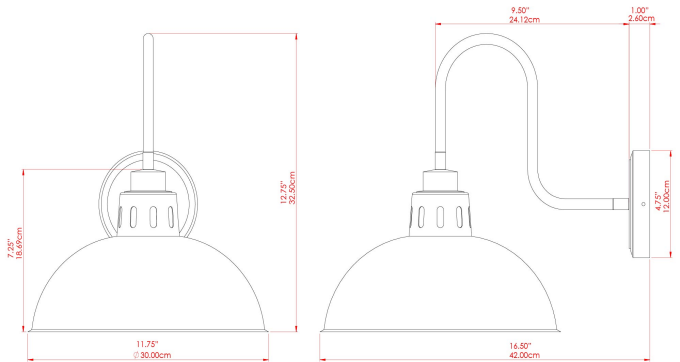
### FIXING BRACKET: MLWB17 | Antique Silver



#### Product Notes:

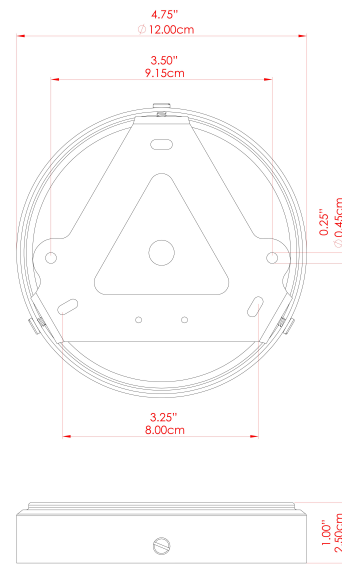
1) Bulbs not included. 2) Dimensions do not include bulbs. 3) All products are individually made-to-order and therefore may differ slightly within manufacturing tolerances. 4) Cable / chain can be shortened during installation. Longer cable / chain lengths available on request. 5) Additional colour finishes may be available on request. 6) Refer to our website for a full list of terms and conditions.





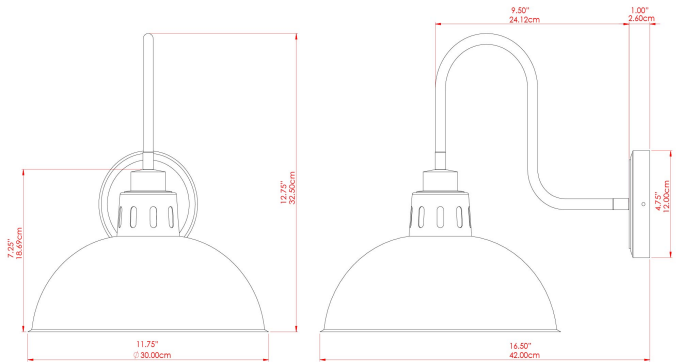
MATERIAL	Brass   Glass
HEIGHT	32.5cm
WIDTH   DIAMETER	30cm
LENGTH   PROJECTION	42cm
WEIGHT	1.5 kg
LAMPHOLDER	E27
MAX WATTAGE	6.5W
VOLTAGE	220/240v
IP RATING	IP65
CLASS PROTECTION	Class II
SHADE	GLWP02
FLEX   BAR   CHAIN LENGTH	n/a
CABLE TYPE	-

### FIXING BRACKET: MLWB17 | Antique Silver



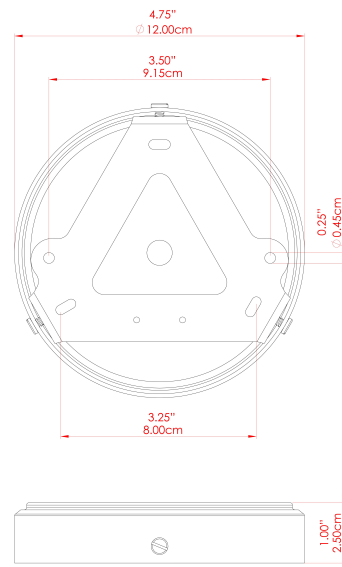
# TALISE Bathroom Light

MLBWL051PCMBKOP Matt Black



MATERIAL	Brass   Glass
HEIGHT	32.5cm
WIDTH   DIAMETER	30cm
LENGTH   PROJECTION	42cm
WEIGHT	1.5 kg
LAMPHOLDER	E27
MAX WATTAGE	40W
VOLTAGE	220/240v
IP RATING	IP65
CLASS PROTECTION	Class II
SHADE	-
FLEX   BAR   CHAIN LENGTH	n/a
CABLE TYPE	-

## FIXING BRACKET: MLWB17 | Matt Black

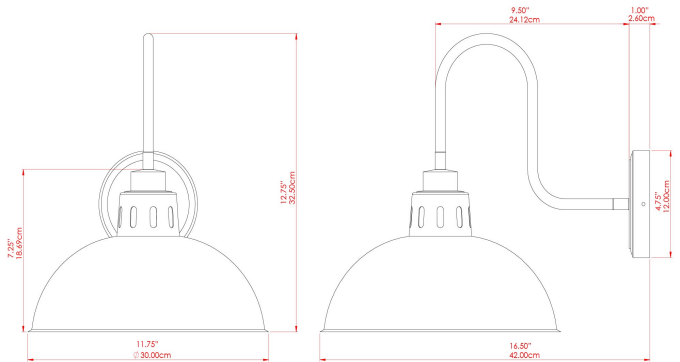


WWW.MULLANLIGHTING.COM

### Product Notes:

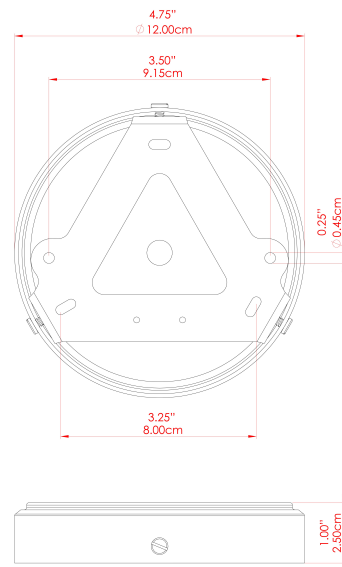
1) Bulbs not included. 2) Dimensions do not include bulbs. 3) All products are individually made-to-order and therefore may differ slightly within manufacturing tolerances. 4) Cable / chain can be shortened during installation. Longer cable / chain lengths available on request. 5) Additional colour finishes may be available on request. 6) Refer to our website for a full list of terms and conditions.

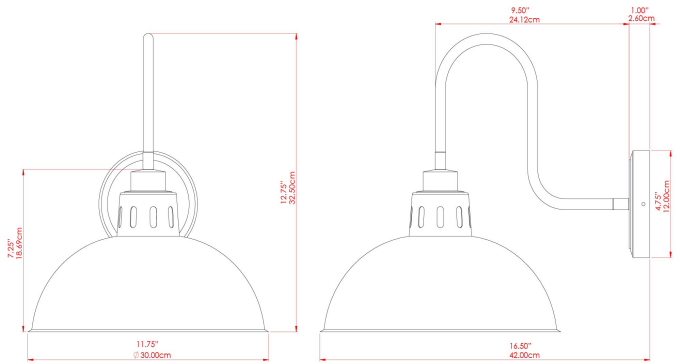




MATERIAL	Brass   Glass
HEIGHT	32.5cm
WIDTH   DIAMETER	30cm
LENGTH   PROJECTION	42cm
WEIGHT	1.5 kg
LAMPHOLDER	E27
MAX WATTAGE	6.5W
VOLTAGE	220/240v
IP RATING	IP65
CLASS PROTECTION	Class II
SHADE	GLWP01
FLEX   BAR   CHAIN LENGTH	n/a
CABLE TYPE	-

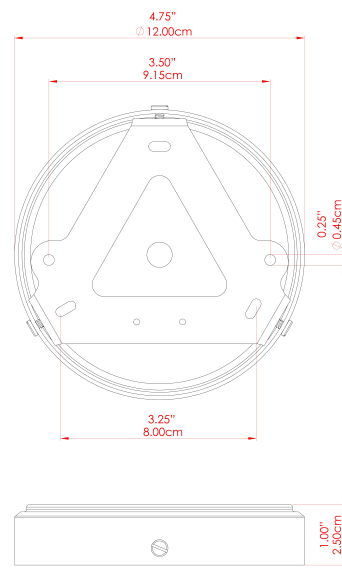
### FIXING BRACKET: MLWB17 | Matt Black





MATERIAL	Brass   Glass
HEIGHT	32.5cm
WIDTH   DIAMETER	30cm
LENGTH   PROJECTION	42cm
WEIGHT	1.5 kg
LAMPHOLDER	E27
MAX WATTAGE	6.5W
VOLTAGE	220/240v
IP RATING	IP65
CLASS PROTECTION	Class II
SHADE	GLWP01
FLEX   BAR   CHAIN LENGTH	n/a
CABLE TYPE	-

### FIXING BRACKET: MLWB17 | Natural Brass

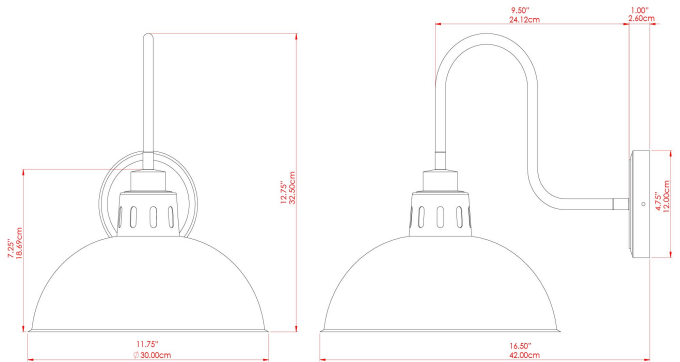


WWW.MULLANLIGHTING.COM

#### Product Notes:

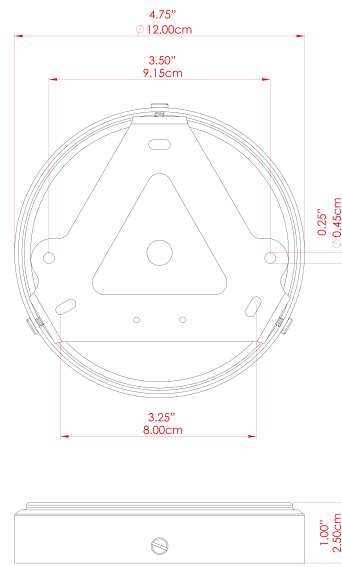
1) Bulbs not included. 2) Dimensions do not include bulbs. 3) All products are individually made-to-order and therefore may differ slightly within manufacturing tolerances. 4) Cable / chain can be shortened during installation. Longer cable / chain lengths available on request. 5) Additional colour finishes may be available on request. 6) Refer to our website for a full list of terms and conditions.

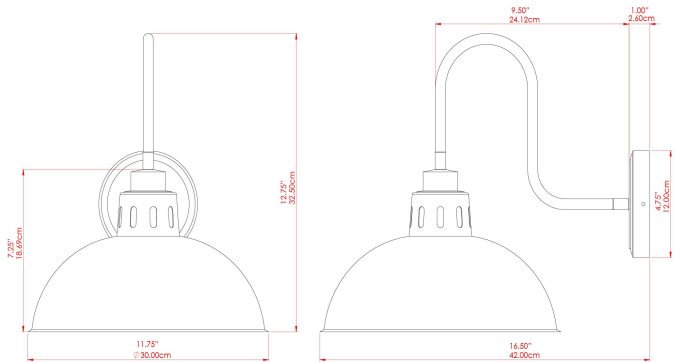




MATERIAL	Brass   Glass
HEIGHT	32.5cm
WIDTH   DIAMETER	30cm
LENGTH   PROJECTION	42cm
WEIGHT	1.5 kg
LAMPHOLDER	E27
MAX WATTAGE	6.5W
VOLTAGE	220/240v
IP RATING	IP65
CLASS PROTECTION	Class II
SHADE	GLWP02
FLEX   BAR   CHAIN LENGTH	n/a
CABLE TYPE	-

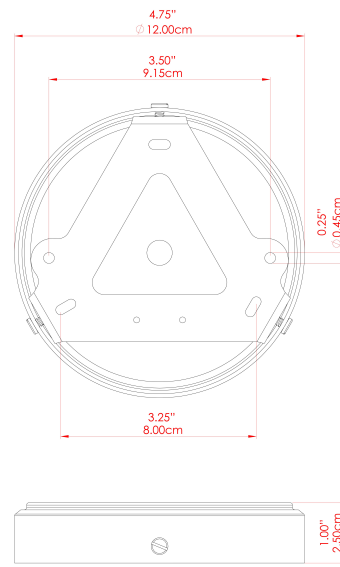
### FIXING BRACKET: MLWB17 | Natural Brass





MATERIAL	Brass   Glass
HEIGHT	32.5cm
WIDTH   DIAMETER	30cm
LENGTH   PROJECTION	42cm
WEIGHT	1.5 kg
LAMPHOLDER	E27
MAX WATTAGE	6.5W
VOLTAGE	220/240v
IP RATING	IP65
CLASS PROTECTION	Class II
SHADE	GLWP01
FLEX   BAR   CHAIN LENGTH	n/a
CABLE TYPE	-

### FIXING BRACKET: MLWB17 | Polished Brass

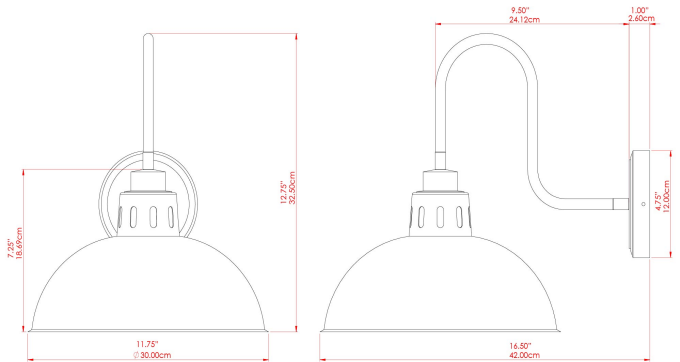


WWW.MULLANLIGHTING.COM

#### Product Notes:

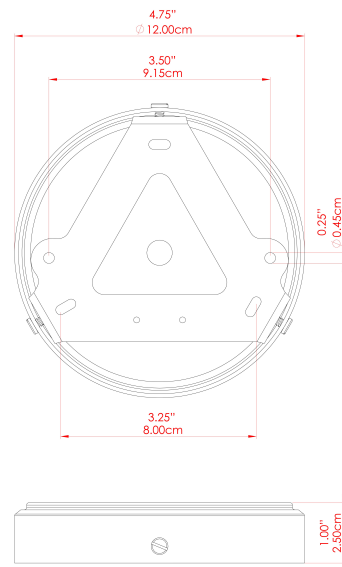
1) Bulbs not included. 2) Dimensions do not include bulbs. 3) All products are individually made-to-order and therefore may differ slightly within manufacturing tolerances. 4) Cable / chain can be shortened during installation. Longer cable / chain lengths available on request. 5) Additional colour finishes may be available on request. 6) Refer to our website for a full list of terms and conditions.

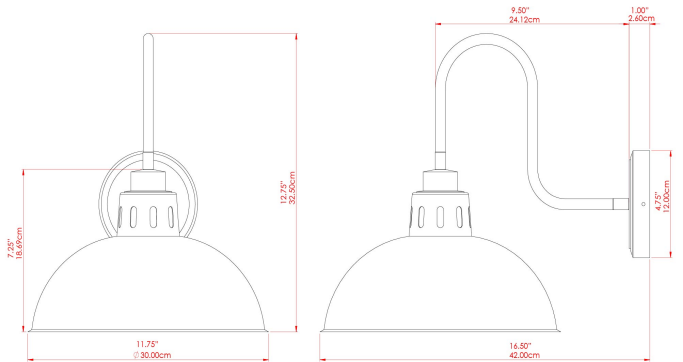




MATERIAL	Brass   Glass
HEIGHT	32.5cm
WIDTH   DIAMETER	30cm
LENGTH   PROJECTION	42cm
WEIGHT	1.5 kg
LAMPHOLDER	E27
MAX WATTAGE	6.5W
VOLTAGE	220/240v
IP RATING	IP65
CLASS PROTECTION	Class II
SHADE	GLWP02
FLEX   BAR   CHAIN LENGTH	n/a
CABLE TYPE	-

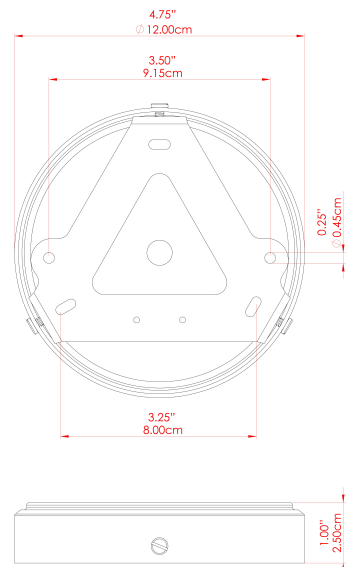
FIXING BRACKET: MLWB17 | Polished Brass

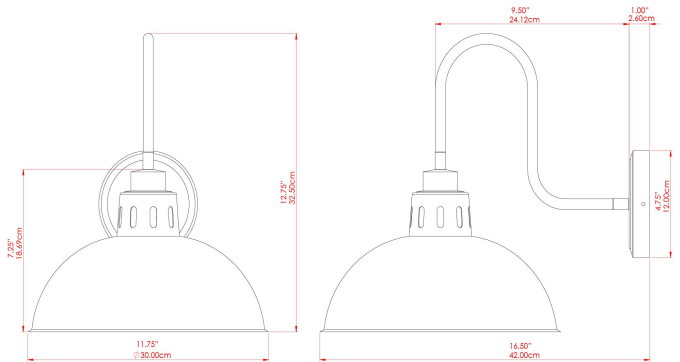




MATERIAL	Brass   Glass
HEIGHT	32.5cm
WIDTH   DIAMETER	30cm
LENGTH   PROJECTION	42cm
WEIGHT	1.5 kg
LAMPHOLDER	E27
MAX WATTAGE	6.5W
VOLTAGE	220/240v
IP RATING	IP65
CLASS PROTECTION	Class II
SHADE	GLWP01
FLEX   BAR   CHAIN LENGTH	n/a
CABLE TYPE	-

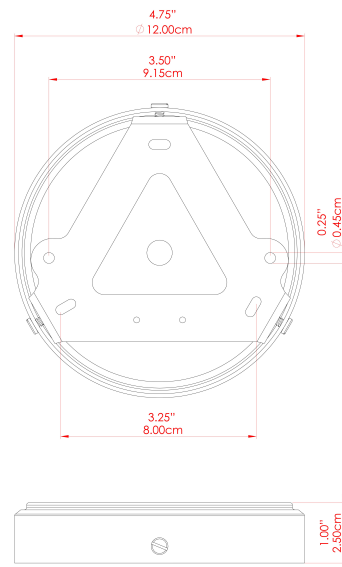
### FIXING BRACKET: MLWB17 | Satin Brass

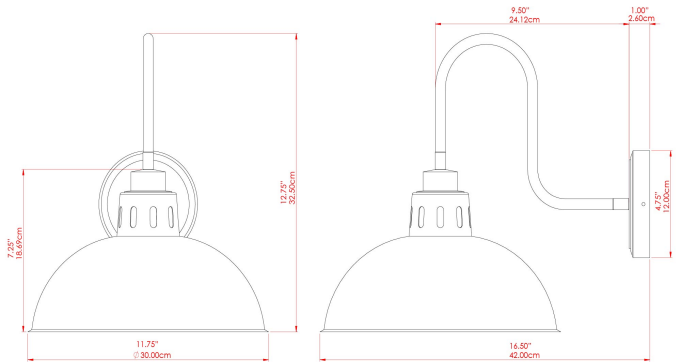




MATERIAL	Brass   Glass
HEIGHT	32.5cm
WIDTH   DIAMETER	30cm
LENGTH   PROJECTION	42cm
WEIGHT	1.5 kg
LAMPHOLDER	E27
MAX WATTAGE	6.5W
VOLTAGE	220/240v
IP RATING	IP65
CLASS PROTECTION	Class II
SHADE	GLWP02
FLEX   BAR   CHAIN LENGTH	n/a
CABLE TYPE	-

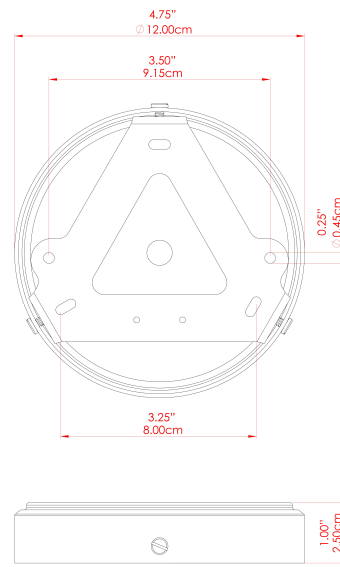
FIXING BRACKET: MLWB17 | Satin Brass





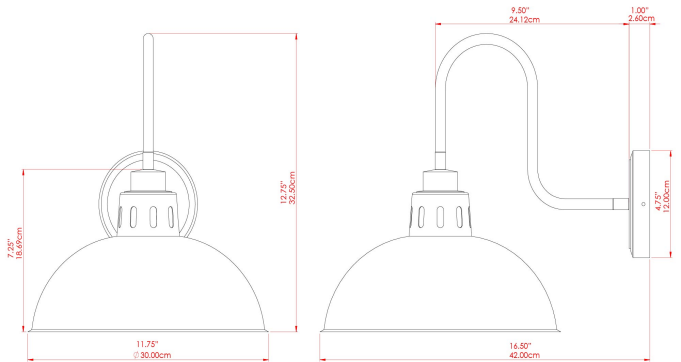
MATERIAL	Brass   Glass
HEIGHT	32.5cm
WIDTH   DIAMETER	30cm
LENGTH   PROJECTION	42cm
WEIGHT	1.5 kg
LAMPHOLDER	E27
MAX WATTAGE	6.5W
VOLTAGE	220/240v
IP RATING	IP65
CLASS PROTECTION	Class II
SHADE	GLWP01
FLEX   BAR   CHAIN LENGTH	n/a
CABLE TYPE	-

FIXING BRACKET: MLWB17 | White



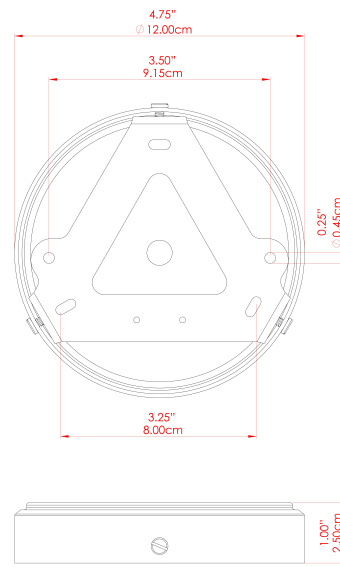
Product Notes:  
 1) Bulbs not included. 2) Dimensions do not include bulbs. 3) All products are individually made-to-order and therefore may differ slightly within manufacturing tolerances. 4) Cable / chain can be shortened during installation. Longer cable / chain lengths available on request. 5) Additional colour finishes may be available on request. 6) Refer to our website for a full list of terms and conditions.





MATERIAL	Brass   Glass
HEIGHT	32.5cm
WIDTH   DIAMETER	30cm
LENGTH   PROJECTION	42cm
WEIGHT	1.5 kg
LAMPHOLDER	E27
MAX WATTAGE	6.5W
VOLTAGE	220/240v
IP RATING	IP65
CLASS PROTECTION	Class II
SHADE	GLWP02
FLEX   BAR   CHAIN LENGTH	n/a
CABLE TYPE	-

FIXING BRACKET: MLWB17 | White



Product Notes:  
 1) Bulbs not included. 2) Dimensions do not include bulbs. 3) All products are individually made-to-order and therefore may differ slightly within manufacturing tolerances. 4) Cable / chain can be shortened during installation. Longer cable / chain lengths available on request. 5) Additional colour finishes may be available on request. 6) Refer to our website for a full list of terms and conditions.

