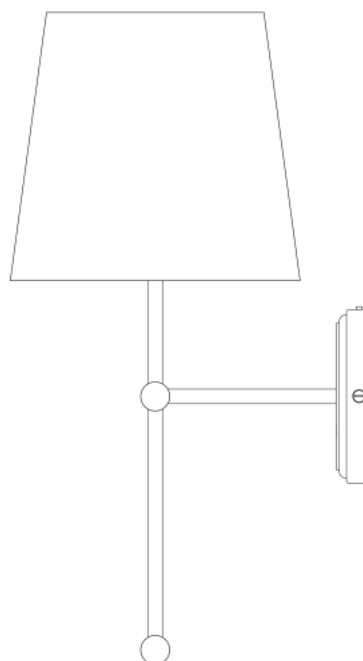


CALIFORNIA Wall Light

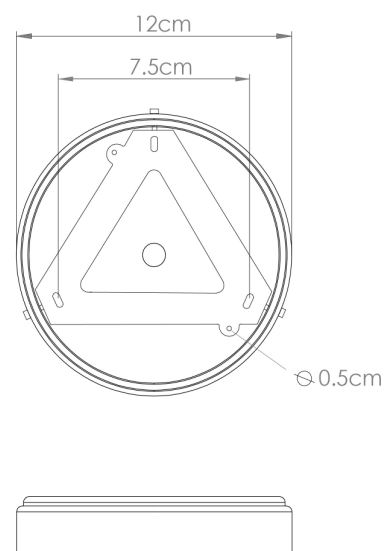
MLWL397ANTBRS Antique Brass



MATERIAL	Brass Fabric
HEIGHT	45cm 17.72"
WIDTH DIAMETER	20cm 7.87"
LENGTH PROJECTION	23cm 9.06"
WEIGHT	0.79KG 1.74lbs
LAMPHOLDER	E27 or E26
MAX WATTAGE	40W x 1
VOLTAGE	220/240v or 110/120v
IP RATING	20
CLASS PROTECTION	I
SHADE	MLFS008
FLEX BAR CHAIN LENGT	n/a
CABLE TYPE	-

Fixing Bracket MLWB17 | Antique Brass

*For UL wired lights, fixing bracket may differ

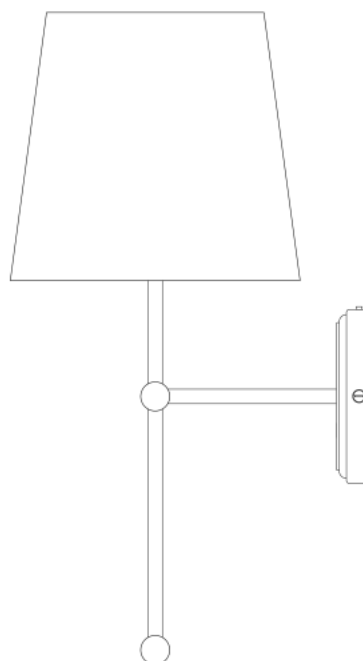


Product Notes:

1) Lamps not included with light fixture. 2) All products are individually hand crafted, therefore may differ slightly within manufacturing tolerances. 3) Please refer to: <http://www.mullanlighting.com/terms> for full list of Terms & Conditions. 4) Cable/Chain can be shortened during installation. 5) Longer Cable/Chain available on request. 6) Additional colour finishes available on request. 7.) Dimensions do not include lamps. 8.) Products wired to UL standards will operate at 110/120v with the appropriate lampholders.

CALIFORNIA Wall Light

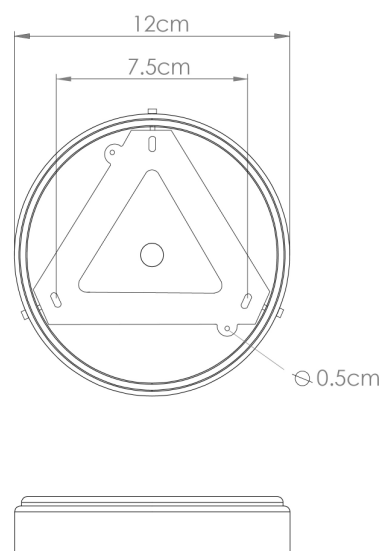
MLWL397ANTSLV Antique Silver



MATERIAL	Brass Fabric
HEIGHT	45cm 17.72"
WIDTH DIAMETER	20cm 7.87"
LENGTH PROJECTION	23cm 9.06"
WEIGHT	0.79KG 1.74lbs
LAMPHOLDER	E27 or E26
MAX WATTAGE	40W x 1
VOLTAGE	220/240v or 110/120v
IP RATING	20
CLASS PROTECTION	I
SHADE	MLFS008
FLEX BAR CHAIN LENGT	n/a
CABLE TYPE	-

Fixing Bracket MLWB17 | Antique Silver

*For UL wired lights, fixing bracket may differ

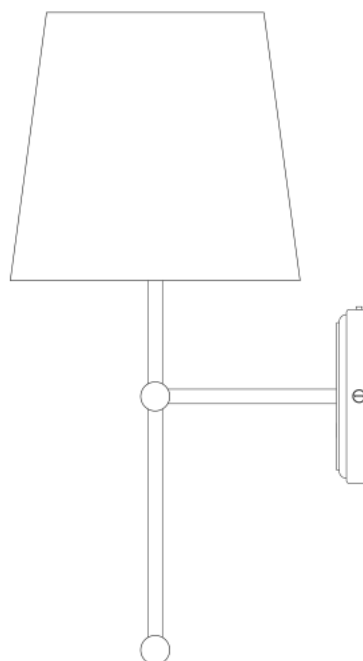


Product Notes:

1) Lamps not included with light fixture. 2) All products are individually hand crafted, therefore may differ slightly within manufacturing tolerances. 3) Please refer to: <http://www.mullanlighting.com/terms> for full list of Terms & Conditions. 4) Cable/Chain can be shortened during installation. 5) Longer Cable/Chain available on request. 6) Additional colour finishes available on request. 7.) Dimensions do not include lamps. 8.) Products wired to UL standards will operate at 110/120v with the appropriate lampholders.

CALIFORNIA Wall Light

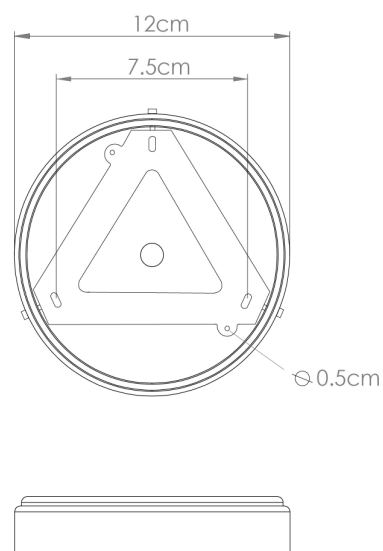
MLWL397POLBRS Polished Brass



MATERIAL	Brass Fabric
HEIGHT	45cm 17.72"
WIDTH DIAMETER	20cm 7.87"
LENGTH PROJECTION	23cm 9.06"
WEIGHT	0.79KG 1.74lbs
LAMPHOLDER	E27 or E26
MAX WATTAGE	40W x 1
VOLTAGE	220/240v or 110/120v
IP RATING	20
CLASS PROTECTION	I
SHADE	MLFS008
FLEX BAR CHAIN LENGT	n/a
CABLE TYPE	-

Fixing Bracket MLWB17 | Polished Brass

*For UL wired lights, fixing bracket may differ

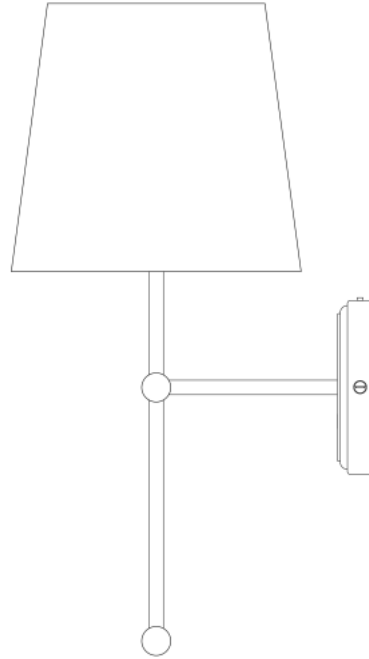


Product Notes:

1) Lamps not included with light fixture. 2) All products are individually hand crafted, therefore may differ slightly within manufacturing tolerances. 3) Please refer to: <http://www.mullanlighting.com/terms> for full list of Terms & Conditions. 4) Cable/Chain can be shortened during installation. 5) Longer Cable/Chain available on request. 6) Additional colour finishes available on request. 7.) Dimensions do not include lamps. 8.) Products wired to UL standards will operate at 110/120v with the appropriate lampholders.

CALIFORNIA Wall Light

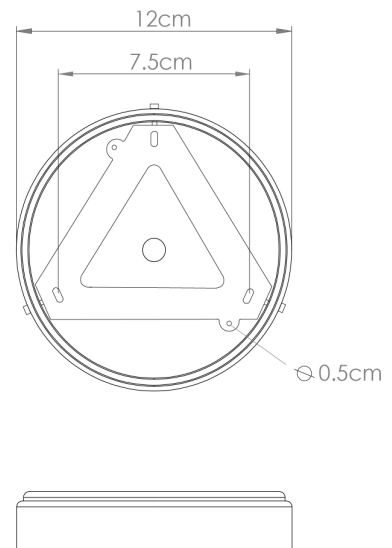
MLWL397SATBRS Satin Brass



MATERIAL	Brass Fabric
HEIGHT	45cm 17.72"
WIDTH DIAMETER	20cm 7.87"
LENGTH PROJECTION	23cm 9.06"
WEIGHT	0.79KG 1.74lbs
LAMPHOLDER	E27 or E26
MAX WATTAGE	40W x 1
VOLTAGE	220/240v or 110/120v
IP RATING	20
CLASS PROTECTION	I
SHADE	MLFS008
FLEX BAR CHAIN LENGT	n/a
CABLE TYPE	-

Fixing Bracket MLWB17 | Satin Brass

*For UL wired lights, fixing bracket may differ



Product Notes:

1) Lamps not included with light fixture. 2) All products are individually hand crafted, therefore may differ slightly within manufacturing tolerances. 3) Please refer to: <http://www.mullanlighting.com/terms> for full list of Terms & Conditions. 4) Cable/Chain can be shortened during installation. 5) Longer Cable/Chain available on request. 6) Additional colour finishes available on request. 7.) Dimensions do not include lamps. 8.) Products wired to UL standards will operate at 110/120v with the appropriate lampholders.