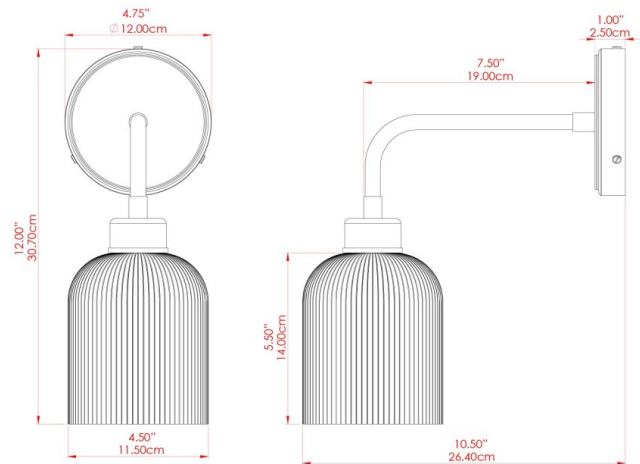


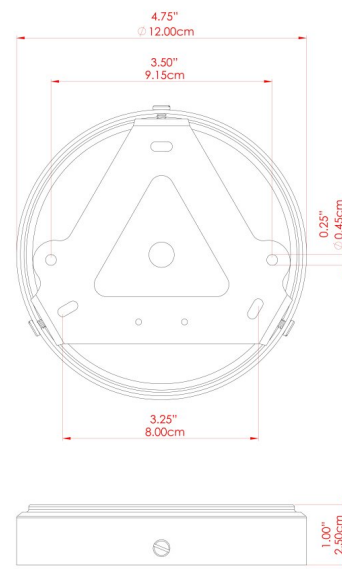
OSIER Ceramic Wall Light

MLCMWL015ANTBRS Antique Brass



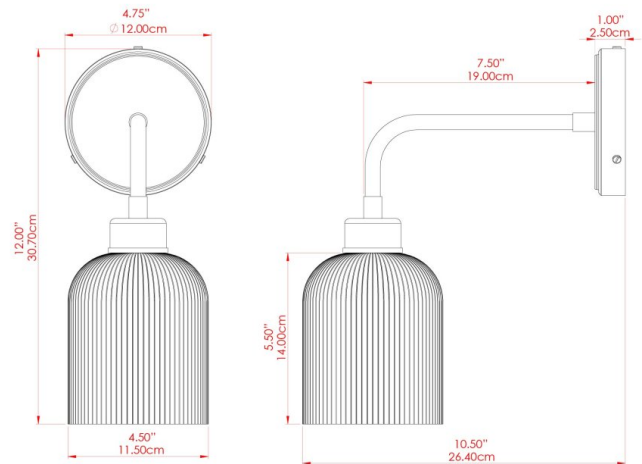
MATERIAL	Brass Ceramic
HEIGHT	31cm
WIDTH DIAMETER	12cm
LENGTH PROJECTION	26cm
WEIGHT	1.3 kg
LAMPHOLDER	E27
MAX WATTAGE	40W
VOLTAGE	220/240v
IP RATING	IP20
CLASS PROTECTION	Class I
SHADE	MLCS036
FLEX BAR CHAIN LENGTH	n/a
CABLE TYPE	-

FIXING BRACKET: MLWB17 | Antique Brass



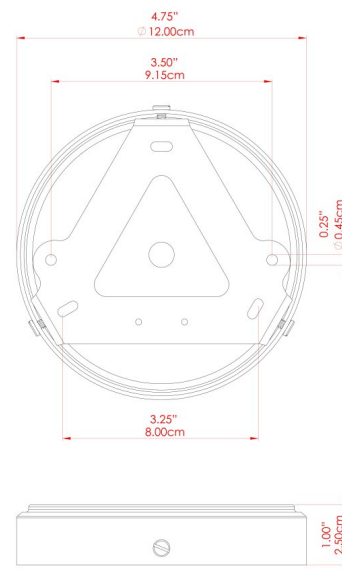
OSIER Ceramic Wall Light

MLCMWL015ANTSLV Antique Silver



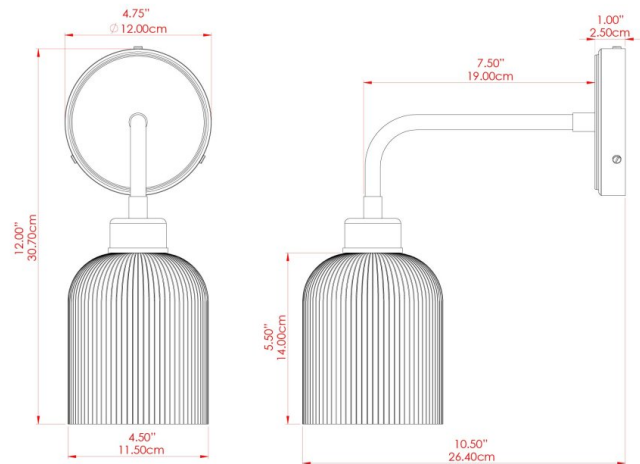
MATERIAL	Brass Ceramic
HEIGHT	31cm
WIDTH DIAMETER	12cm
LENGTH PROJECTION	26cm
WEIGHT	1.3 kg
LAMPHOLDER	E27
MAX WATTAGE	40W
VOLTAGE	220/240v
IP RATING	IP20
CLASS PROTECTION	Class I
SHADE	MLCS036
FLEX BAR CHAIN LENGTH	n/a
CABLE TYPE	-

FIXING BRACKET: MLWB17 | Antique Silver



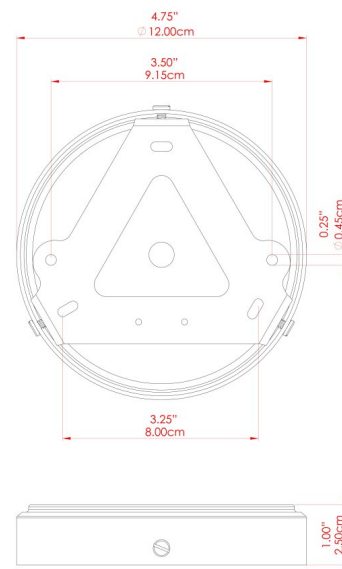
OSIER Ceramic Wall Light

MLCMWL015PCMBK Matt Black



MATERIAL	Brass Ceramic
HEIGHT	31cm
WIDTH DIAMETER	12cm
LENGTH PROJECTION	26cm
WEIGHT	1.3 kg
LAMPHOLDER	E27
MAX WATTAGE	40W
VOLTAGE	220/240v
IP RATING	IP20
CLASS PROTECTION	Class I
SHADE	MLCS036
FLEX BAR CHAIN LENGTH	n/a
CABLE TYPE	-

FIXING BRACKET: MLWB17 | Matt Black



WWW.MULLANLIGHTING.COM

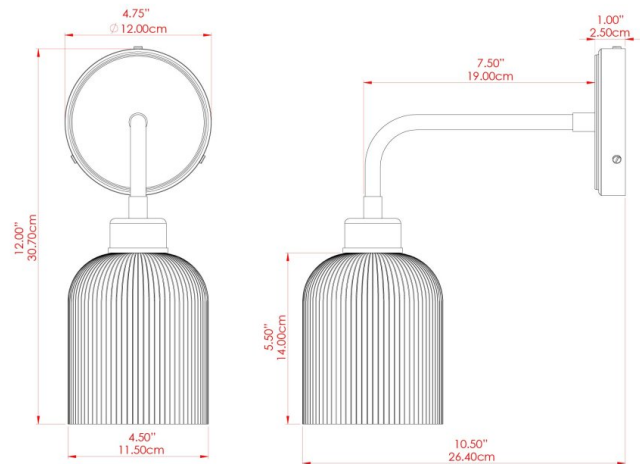
Product Notes:

1) Bulbs not included. 2) Dimensions do not include bulbs. 3) All products are individually made-to-order and therefore may differ slightly within manufacturing tolerances. 4) Cable / chain can be shortened during installation. Longer cable / chain lengths available on request. 5) Additional colour finishes may be available on request. 6) Refer to our website for a full list of terms and conditions.



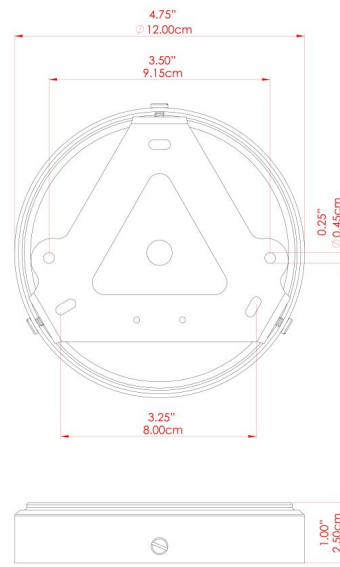
OSIER Ceramic Wall Light

MLCMWL015POLBRS Polished Brass



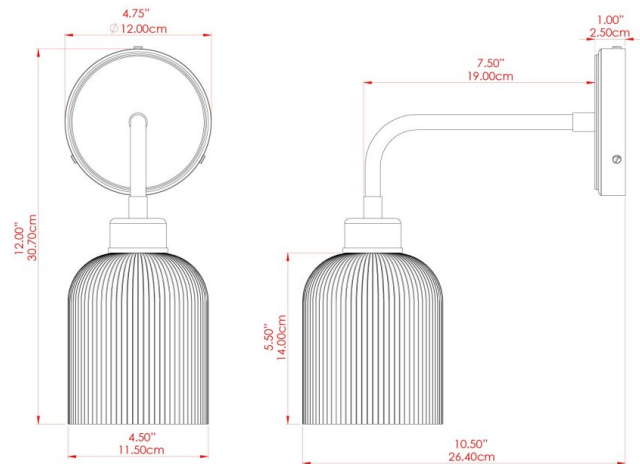
MATERIAL	Brass Ceramic
HEIGHT	31cm
WIDTH DIAMETER	12cm
LENGTH PROJECTION	26cm
WEIGHT	1.3 kg
LAMPHOLDER	E27
MAX WATTAGE	40W
VOLTAGE	220/240v
IP RATING	IP20
CLASS PROTECTION	Class I
SHADE	MLCS036
FLEX BAR CHAIN LENGTH	n/a
CABLE TYPE	-

FIXING BRACKET: MLWB17 | Polished Brass



OSIER Ceramic Wall Light

MLCMWL015SATBRS Satin Brass



MATERIAL	Brass Ceramic
HEIGHT	31cm
WIDTH DIAMETER	12cm
LENGTH PROJECTION	26cm
WEIGHT	1.3 kg
LAMPHOLDER	E27
MAX WATTAGE	40W
VOLTAGE	220/240v
IP RATING	IP20
CLASS PROTECTION	Class I
SHADE	MLCS036
FLEX BAR CHAIN LENGTH	n/a
CABLE TYPE	-

FIXING BRACKET: MLWB17 | Satin Brass

