

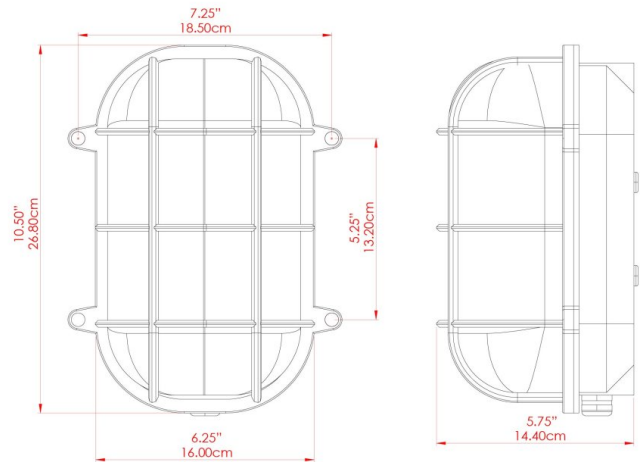
MATERIAL	Brass   Glass
HEIGHT	26cm
WIDTH   DIAMETER	19.5cm
LENGTH   PROJECTION	15cm
WEIGHT	2.9 kg
LAMPHOLDER	Integrated
MAX WATTAGE	-
VOLTAGE	220/240v
IP RATING	IP65
CLASS PROTECTION	Class II
SHADE	-
FLEX   BAR   CHAIN LENGTH	n/a
CABLE TYPE	-

FIXING BRACKET: -



Product Notes:  
 1) Integrated LED included. 2) Dimensions do not include bulbs. 3) All products are individually made-to-order and therefore may differ slightly within manufacturing tolerances. 4) Cable / chain can be shortened during installation. Longer cable / chain lengths available on request. 5) Additional colour finishes may be available on request. 6) Refer to our website for a full list of terms and conditions.





MATERIAL	Brass   Glass
HEIGHT	26cm
WIDTH   DIAMETER	19.5cm
LENGTH   PROJECTION	15cm
WEIGHT	2.9 kg
LAMPHOLDER	Integrated
MAX WATTAGE	-
VOLTAGE	220/240v
IP RATING	IP65
CLASS PROTECTION	Class II
SHADE	-
FLEX   BAR   CHAIN LENGTH	n/a
CABLE TYPE	-

FIXING BRACKET: -

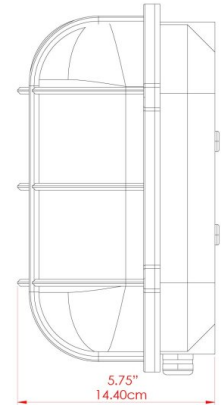
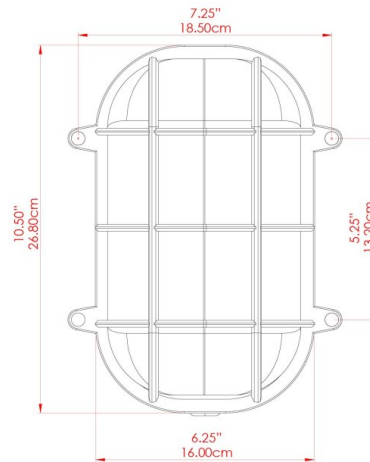


WWW.MULLANLIGHTING.COM

Product Notes:

1) Integrated LED included. 2) Dimensions do not include bulbs. 3) All products are individually made-to-order and therefore may differ slightly within manufacturing tolerances. 4) Cable / chain can be shortened during installation. Longer cable / chain lengths available on request. 5) Additional colour finishes may be available on request. 6) Refer to our website for a full list of terms and conditions.





MATERIAL	Brass   Glass
HEIGHT	26cm
WIDTH   DIAMETER	19.5cm
LENGTH   PROJECTION	14cm
WEIGHT	2.9 kg
LAMPHOLDER	Integrated
MAX WATTAGE	-
VOLTAGE	220/240v
IP RATING	IP54
CLASS PROTECTION	Class II
SHADE	-
FLEX   BAR   CHAIN LENGTH	n/a
CABLE TYPE	-

FIXING BRACKET: -



WWW.MULLANLIGHTING.COM

**Product Notes:**

1) Integrated LED included. 2) Dimensions do not include bulbs. 3) All products are individually made-to-order and therefore may differ slightly within manufacturing tolerances. 4) Cable / chain can be shortened during installation. Longer cable / chain lengths available on request. 5) Additional colour finishes may be available on request. 6) Refer to our website for a full list of terms and conditions.

