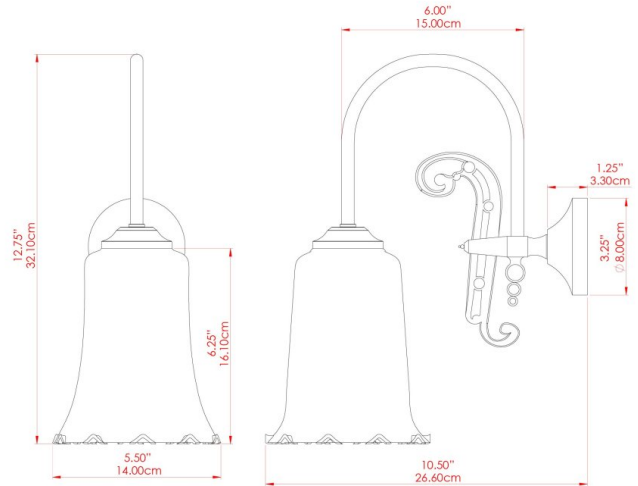


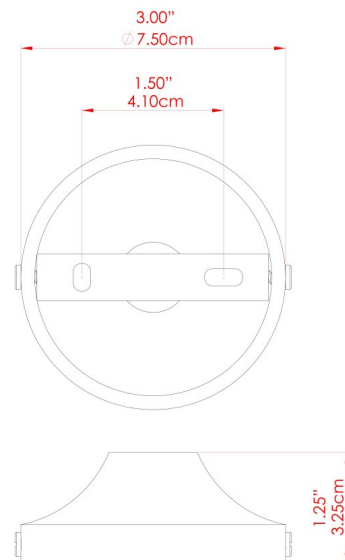
MEDAN Wall Light

MLWL346ANTBRS Antique Brass



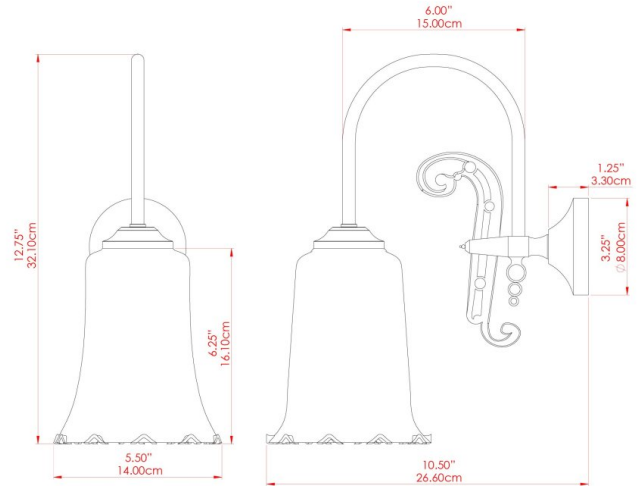
MATERIAL	Brass Glass
HEIGHT	32cm
WIDTH DIAMETER	14.5cm
LENGTH PROJECTION	28cm
WEIGHT	0.72 kg
LAMPHOLDER	E27
MAX WATTAGE	40W
VOLTAGE	220/240v
IP RATING	IP20
CLASS PROTECTION	Class I
SHADE	GL158
FLEX BAR CHAIN LENGTH	n/a
CABLE TYPE	-

FIXING BRACKET: MLWB03 | Antique Brass



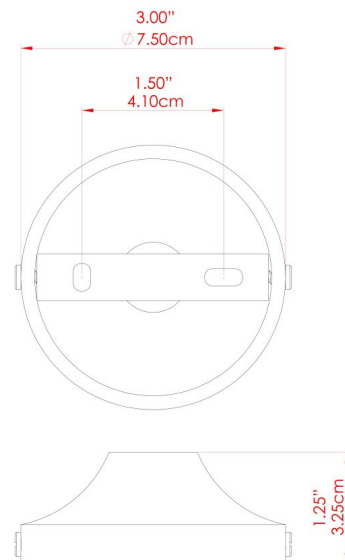
MEDAN Wall Light

MLWL346ANTSLV Antique Silver



MATERIAL	Brass Glass
HEIGHT	32cm
WIDTH DIAMETER	14.5cm
LENGTH PROJECTION	28cm
WEIGHT	0.72 kg
LAMPHOLDER	E27
MAX WATTAGE	40W
VOLTAGE	220/240v
IP RATING	IP20
CLASS PROTECTION	Class I
SHADE	GL158
FLEX BAR CHAIN LENGTH	n/a
CABLE TYPE	-

FIXING BRACKET: MLWB03 | Antique Silver



WWW.MULLANLIGHTING.COM

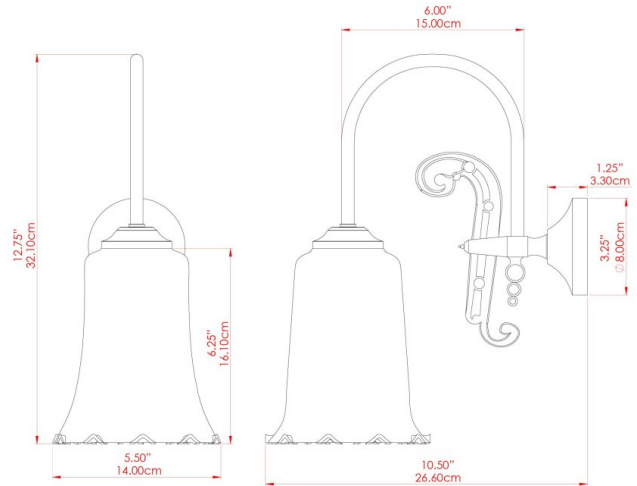
Product Notes:

1) Bulbs not included. 2) Dimensions do not include bulbs. 3) All products are individually made-to-order and therefore may differ slightly within manufacturing tolerances. 4) Cable / chain can be shortened during installation. Longer cable / chain lengths available on request. 5) Additional colour finishes may be available on request. 6) Refer to our website for a full list of terms and conditions.



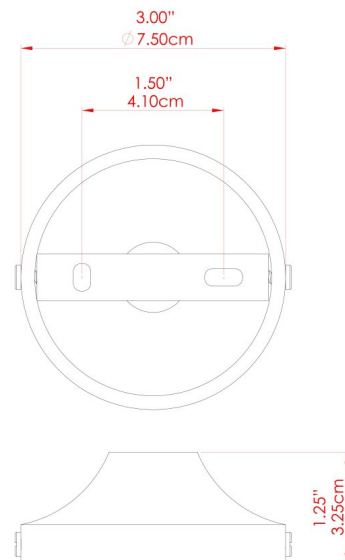
MEDAN Wall Light

MLWL346POLBRS Polished Brass



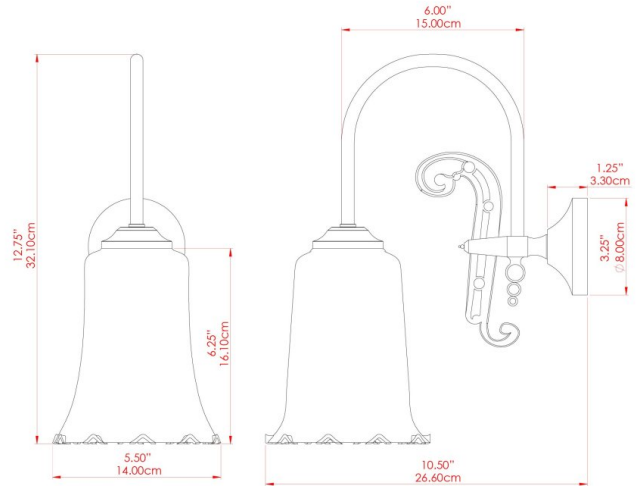
MATERIAL	Brass Glass
HEIGHT	32cm
WIDTH DIAMETER	14.5cm
LENGTH PROJECTION	28cm
WEIGHT	0.72 kg
LAMPHOLDER	E27
MAX WATTAGE	40W
VOLTAGE	220/240v
IP RATING	IP20
CLASS PROTECTION	Class I
SHADE	GL158
FLEX BAR CHAIN LENGTH	n/a
CABLE TYPE	-

FIXING BRACKET: MLWB03 | Polished Brass



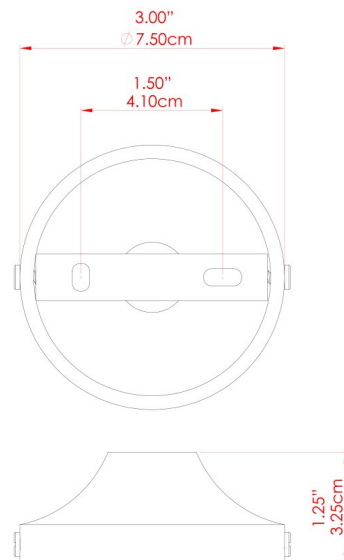
MEDAN Wall Light

MLWL346SATBRS Satin Brass



MATERIAL	Brass Glass
HEIGHT	32cm
WIDTH DIAMETER	14.5cm
LENGTH PROJECTION	28cm
WEIGHT	0.72 kg
LAMPHOLDER	E27
MAX WATTAGE	40W
VOLTAGE	220/240v
IP RATING	IP20
CLASS PROTECTION	Class I
SHADE	GL158
FLEX BAR CHAIN LENGTH	n/a
CABLE TYPE	-

FIXING BRACKET: MLWB03 | Satin Brass



Product Notes:
 1) Bulbs not included. 2) Dimensions do not include bulbs. 3) All products are individually made-to-order and therefore may differ slightly within manufacturing tolerances. 4) Cable / chain can be shortened during installation. Longer cable / chain lengths available on request. 5) Additional colour finishes may be available on request. 6) Refer to our website for a full list of terms and conditions.

