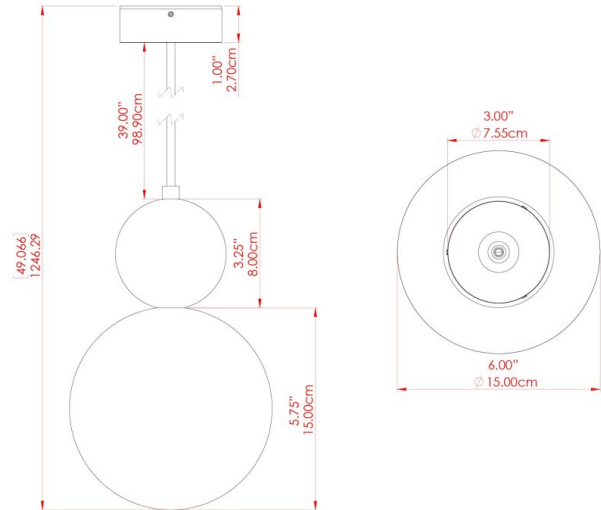


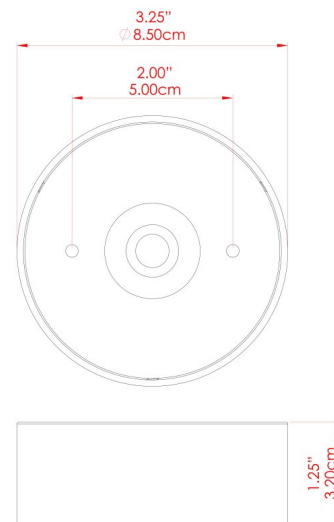
HELENA Pendant

MLP460ANTBRACL Antique Brass



MATERIAL	Brass Steel Glass
HEIGHT	24cm
WIDTH DIAMETER	15cm
LENGTH PROJECTION	n/a
WEIGHT	1 kg
LAMPHOLDER	G9
MAX WATTAGE	6.5W
VOLTAGE	220/240v
IP RATING	IP20
CLASS PROTECTION	Class I
SHADE	GL170
FLEX BAR CHAIN LENGTH	100cm
CABLE TYPE	MLCA002 Brown Fabric Braided Cable 2 Core Twisted

FIXING BRACKET: MLWB13 | Antique Brass



WWW.MULLANLIGHTING.COM

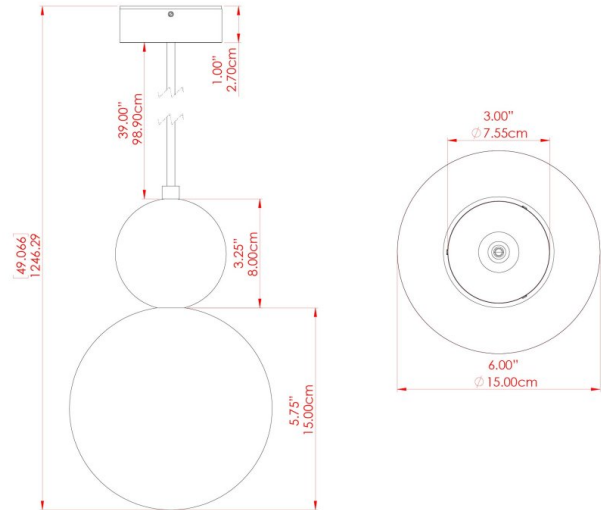
Product Notes:

1) Bulbs not included. 2) Dimensions do not include bulbs. 3) All products are individually made-to-order and therefore may differ slightly within manufacturing tolerances. 4) Cable / chain can be shortened during installation. Longer cable / chain lengths available on request. 5) Additional colour finishes may be available on request. 6) Refer to our website for a full list of terms and conditions.



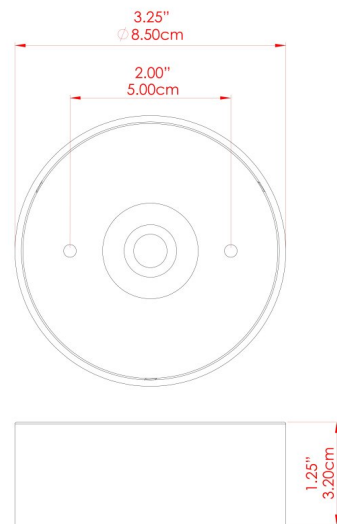
HELENA Pendant

MLP460ANTBRSFR Antique Brass



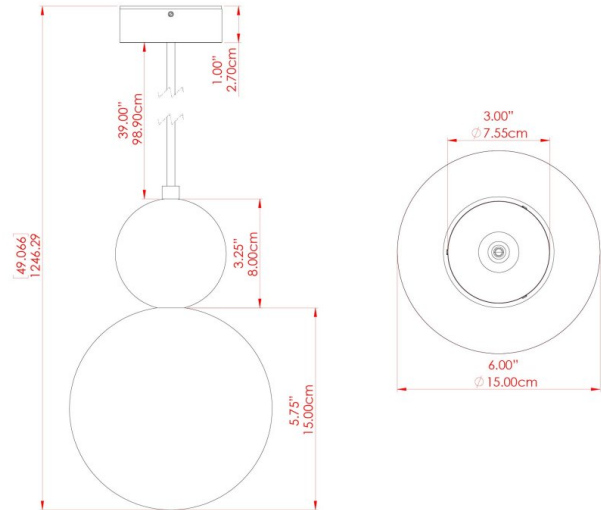
MATERIAL	Brass Steel Glass
HEIGHT	24cm
WIDTH DIAMETER	15cm
LENGTH PROJECTION	n/a
WEIGHT	1 kg
LAMPHOLDER	G9
MAX WATTAGE	6.5W
VOLTAGE	220/240v
IP RATING	IP20
CLASS PROTECTION	Class I
SHADE	GL171
FLEX BAR CHAIN LENGTH	100cm
CABLE TYPE	MLCA002 Brown Fabric Braided Cable 2 Core Twisted

FIXING BRACKET: MLWB13 | Antique Brass



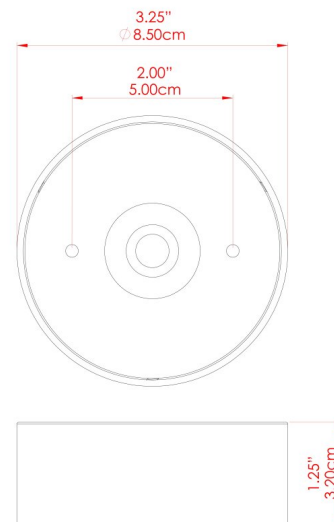
HELENA Pendant

MLP460ANTSLVCL Antique Silver



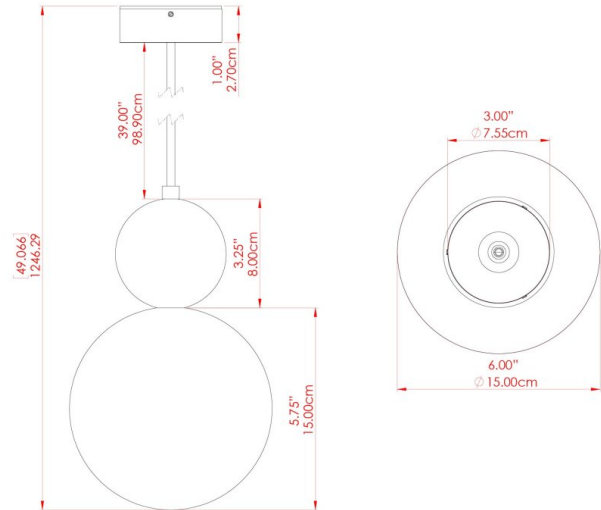
MATERIAL	Brass Steel Glass
HEIGHT	24cm
WIDTH DIAMETER	15cm
LENGTH PROJECTION	n/a
WEIGHT	1 kg
LAMPHOLDER	G9
MAX WATTAGE	6.5W
VOLTAGE	220/240v
IP RATING	IP20
CLASS PROTECTION	Class I
SHADE	GL170
FLEX BAR CHAIN LENGTH	100cm
CABLE TYPE	MLCA001 Black Fabric Braided Cable 2 Core Twisted

FIXING BRACKET: MLWB13 | Antique Silver



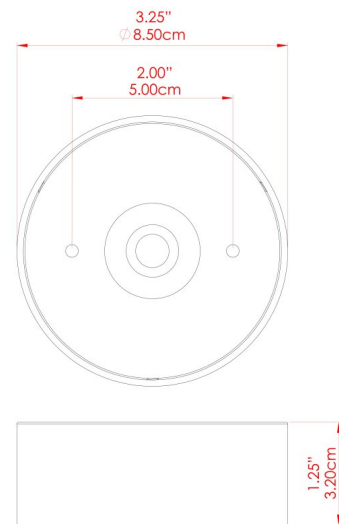
HELENA Pendant

MLP460ANTSLVFR Antique Silver



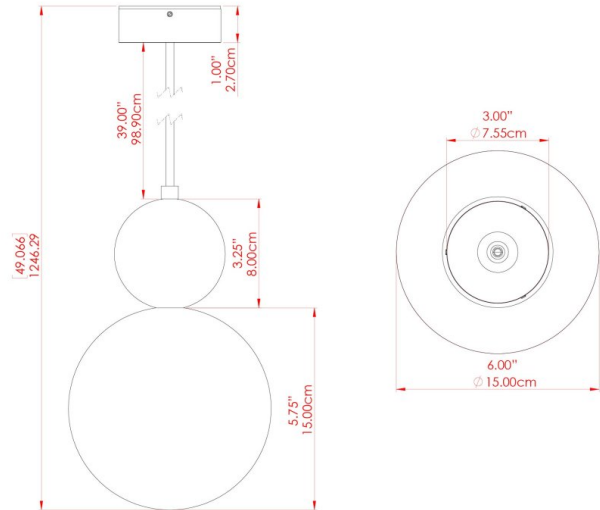
MATERIAL	Brass Steel Glass
HEIGHT	24cm
WIDTH DIAMETER	15cm
LENGTH PROJECTION	n/a
WEIGHT	1 kg
LAMPHOLDER	G9
MAX WATTAGE	6.5W
VOLTAGE	220/240v
IP RATING	IP20
CLASS PROTECTION	Class I
SHADE	GL171
FLEX BAR CHAIN LENGTH	100cm
CABLE TYPE	MLCA001 Black Fabric Braided Cable 2 Core Twisted

FIXING BRACKET: MLWB13 | Antique Silver



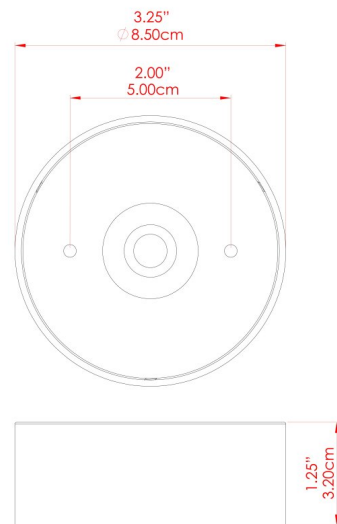
HELENA Pendant

MLP460POLBRSCl Polished Brass



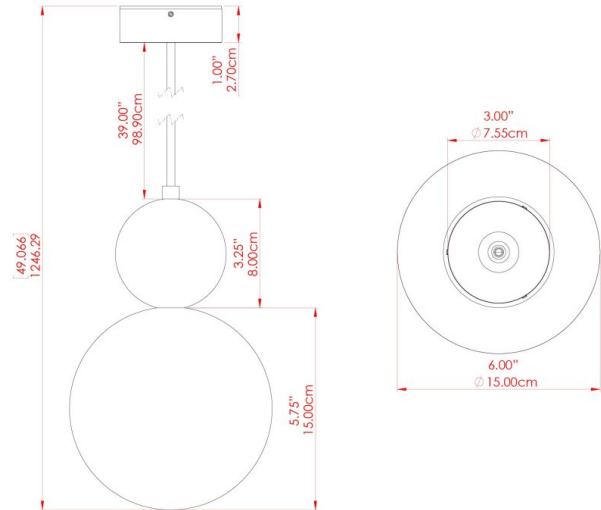
MATERIAL	Brass Steel Glass
HEIGHT	24cm
WIDTH DIAMETER	15cm
LENGTH PROJECTION	n/a
WEIGHT	1 kg
LAMPHOLDER	G9
MAX WATTAGE	6.5W
VOLTAGE	220/240v
IP RATING	IP20
CLASS PROTECTION	Class I
SHADE	GL170
FLEX BAR CHAIN LENGTH	100cm
CABLE TYPE	MLCA001 Black Fabric Braided Cable 2 Core Twisted

FIXING BRACKET: MLWB13 | Polished Brass



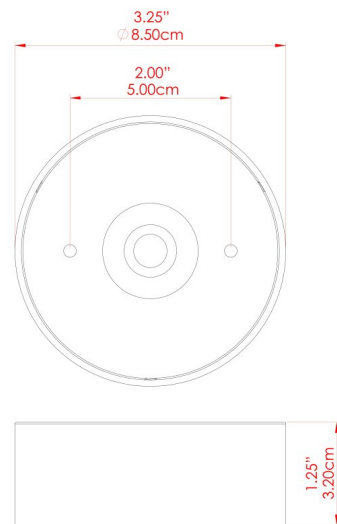
HELENA Pendant

MLP460POLBRSFR Polished Brass



MATERIAL	Brass Steel Glass
HEIGHT	24cm
WIDTH DIAMETER	15cm
LENGTH PROJECTION	n/a
WEIGHT	1 kg
LAMPHOLDER	G9
MAX WATTAGE	6.5W
VOLTAGE	220/240v
IP RATING	IP20
CLASS PROTECTION	Class I
SHADE	GL171
FLEX BAR CHAIN LENGTH	100cm
CABLE TYPE	MLCA001 Black Fabric Braided Cable 2 Core Twisted

FIXING BRACKET: MLWB13 | Polished Brass

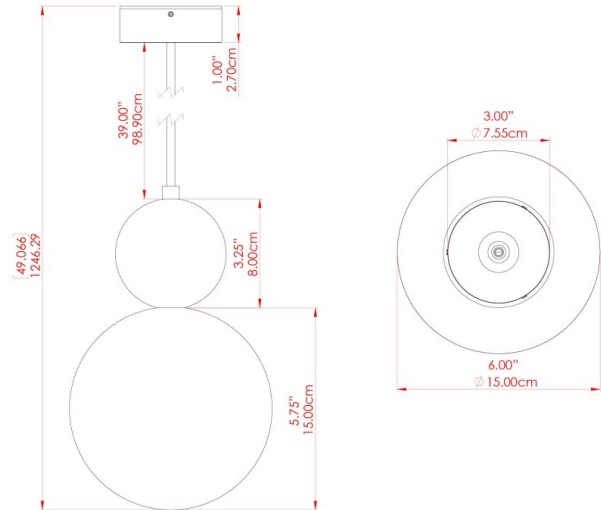


Product Notes:
 1) Bulbs not included. 2) Dimensions do not include bulbs. 3) All products are individually made-to-order and therefore may differ slightly within manufacturing tolerances. 4) Cable / chain can be shortened during installation. Longer cable / chain lengths available on request. 5) Additional colour finishes may be available on request. 6) Refer to our website for a full list of terms and conditions.



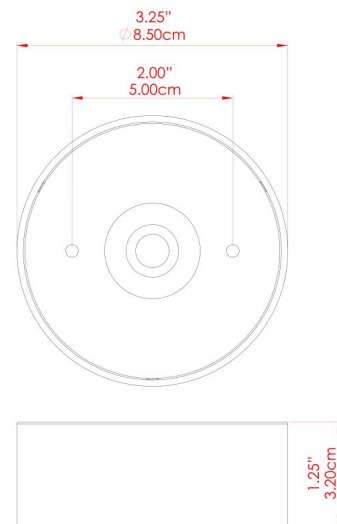
HELENA Pendant

MLP460SATBRSL Satin Brass



MATERIAL	Brass Steel Glass
HEIGHT	24cm
WIDTH DIAMETER	15cm
LENGTH PROJECTION	n/a
WEIGHT	1 kg
LAMPHOLDER	G9
MAX WATTAGE	6.5W
VOLTAGE	220/240v
IP RATING	IP20
CLASS PROTECTION	Class I
SHADE	GL170
FLEX BAR CHAIN LENGTH	100cm
CABLE TYPE	MLCA001 Black Fabric Braided Cable 2 Core Twisted

FIXING BRACKET: MLWB13 | Satin Brass



WWW.MULLANLIGHTING.COM

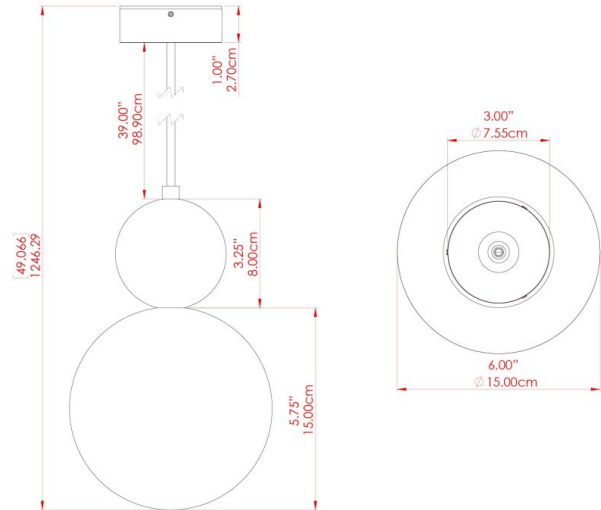
Product Notes:

1) Bulbs not included. 2) Dimensions do not include bulbs. 3) All products are individually made-to-order and therefore may differ slightly within manufacturing tolerances. 4) Cable / chain can be shortened during installation. Longer cable / chain lengths available on request. 5) Additional colour finishes may be available on request. 6) Refer to our website for a full list of terms and conditions.



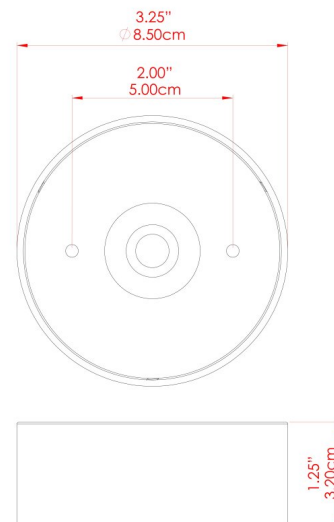
HELENA Pendant

MLP460SATBRSFR Satin Brass



MATERIAL	Brass Steel Glass
HEIGHT	24cm
WIDTH DIAMETER	15cm
LENGTH PROJECTION	n/a
WEIGHT	1 kg
LAMPHOLDER	G9
MAX WATTAGE	6.5W
VOLTAGE	220/240v
IP RATING	IP20
CLASS PROTECTION	Class I
SHADE	GL171
FLEX BAR CHAIN LENGTH	100cm
CABLE TYPE	MLCA001 Black Fabric Braided Cable 2 Core Twisted

FIXING BRACKET: MLWB13 | Satin Brass



WWW.MULLANLIGHTING.COM

Product Notes:

1) Bulbs not included. 2) Dimensions do not include bulbs. 3) All products are individually made-to-order and therefore may differ slightly within manufacturing tolerances. 4) Cable / chain can be shortened during installation. Longer cable / chain lengths available on request. 5) Additional colour finishes may be available on request. 6) Refer to our website for a full list of terms and conditions.

