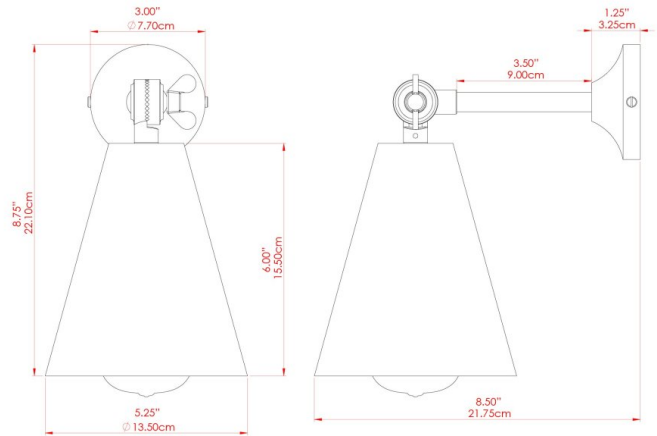


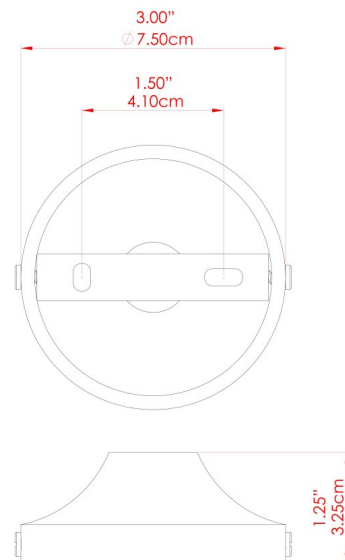
MOYA Wall Light

MLWL237ANTBRS Antique Brass



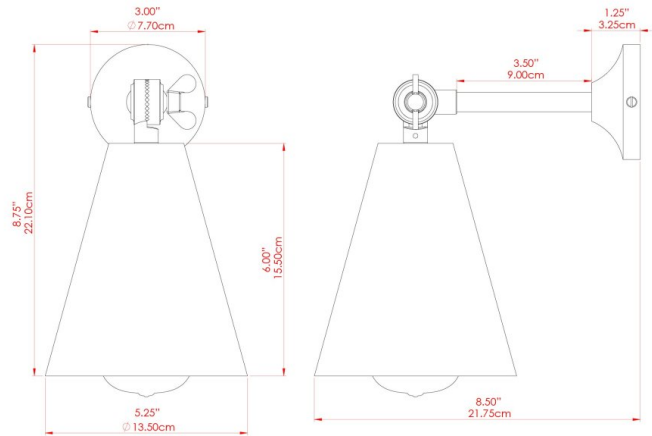
| | |
|---------------------------|-------------|
| MATERIAL | Brass |
| HEIGHT | 14-22.5cm |
| WIDTH DIAMETER | 14cm |
| LENGTH PROJECTION | 22.5-33.5cm |
| WEIGHT | 0.65 kg |
| LAMPHOLDER | E27 |
| MAX WATTAGE | 40W |
| VOLTAGE | 220/240v |
| IP RATING | IP20 |
| CLASS PROTECTION | Class I |
| SHADE | - |
| FLEX BAR CHAIN LENGTH | n/a |
| CABLE TYPE | - |

FIXING BRACKET: MLWB03 | Antique Brass



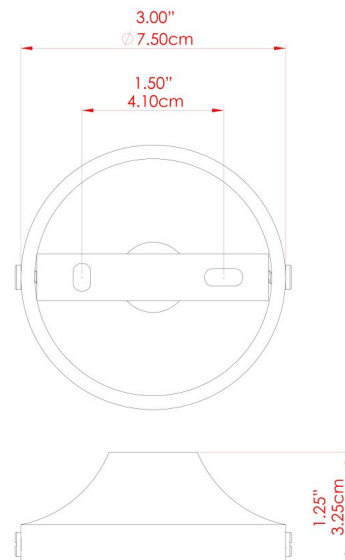
MOYA Wall Light

MLWL237ANTSLV Antique Silver



| | |
|---------------------------|-------------|
| MATERIAL | Brass |
| HEIGHT | 14-22.5cm |
| WIDTH DIAMETER | 14cm |
| LENGTH PROJECTION | 22.5-33.5cm |
| WEIGHT | 0.65 kg |
| LAMPHOLDER | E27 |
| MAX WATTAGE | 40W |
| VOLTAGE | 220/240v |
| IP RATING | IP20 |
| CLASS PROTECTION | Class I |
| SHADE | - |
| FLEX BAR CHAIN LENGTH | n/a |
| CABLE TYPE | - |

FIXING BRACKET: MLWB03 | Antique Silver



WWW.MULLANLIGHTING.COM

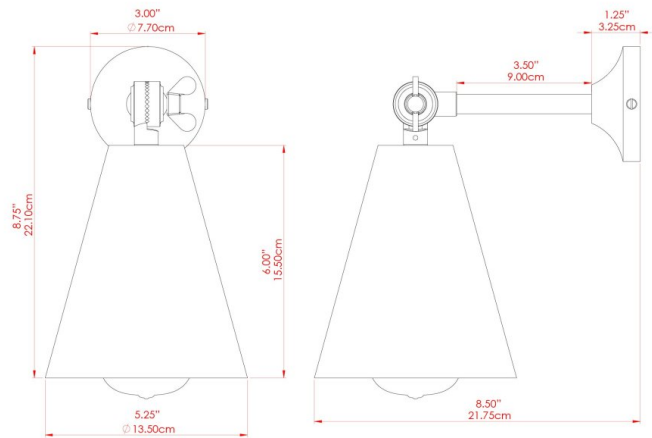
Product Notes:

1) Bulbs not included. 2) Dimensions do not include bulbs. 3) All products are individually made-to-order and therefore may differ slightly within manufacturing tolerances. 4) Cable / chain can be shortened during installation. Longer cable / chain lengths available on request. 5) Additional colour finishes may be available on request. 6) Refer to our website for a full list of terms and conditions.



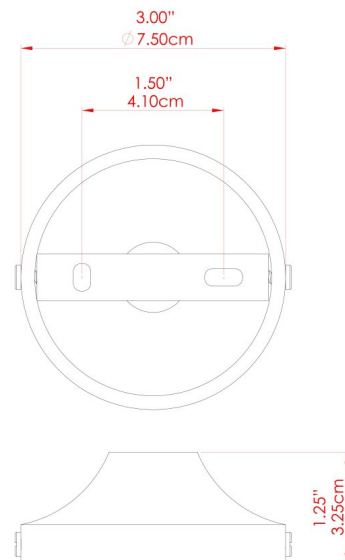
MOYA Wall Light

MLWL237POLBRS Polished Brass



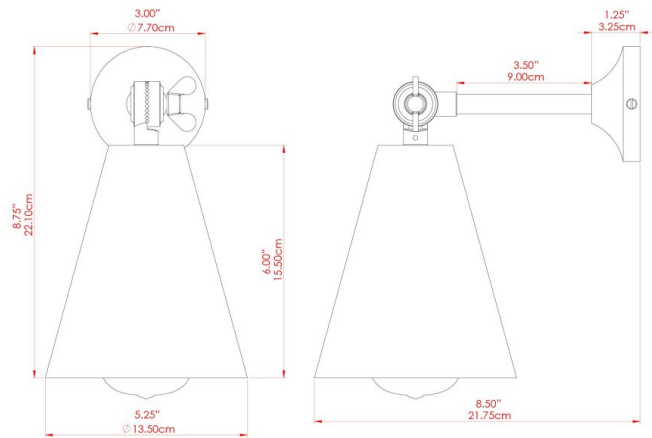
| | |
|---------------------------|-------------|
| MATERIAL | Brass |
| HEIGHT | 14-22.5cm |
| WIDTH DIAMETER | 14cm |
| LENGTH PROJECTION | 22.5-33.5cm |
| WEIGHT | 0.65 kg |
| LAMPHOLDER | E27 |
| MAX WATTAGE | 40W |
| VOLTAGE | 220/240v |
| IP RATING | IP20 |
| CLASS PROTECTION | Class I |
| SHADE | - |
| FLEX BAR CHAIN LENGTH | n/a |
| CABLE TYPE | - |

FIXING BRACKET: MLWB03 | Polished Brass



MOYA Wall Light

MLWL237SATBRS Satin Brass



| | |
|---------------------------|-------------|
| MATERIAL | Brass |
| HEIGHT | 14-22.5cm |
| WIDTH DIAMETER | 14cm |
| LENGTH PROJECTION | 22.5-33.5cm |
| WEIGHT | 0.65 kg |
| LAMPHOLDER | E27 |
| MAX WATTAGE | 40W |
| VOLTAGE | 220/240v |
| IP RATING | IP20 |
| CLASS PROTECTION | Class I |
| SHADE | - |
| FLEX BAR CHAIN LENGTH | n/a |
| CABLE TYPE | - |

FIXING BRACKET: MLWB03 | Satin Brass

