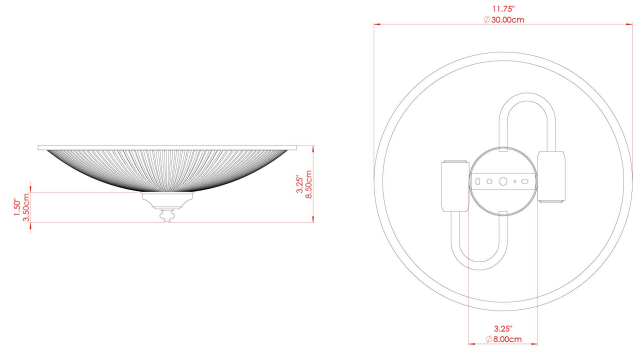


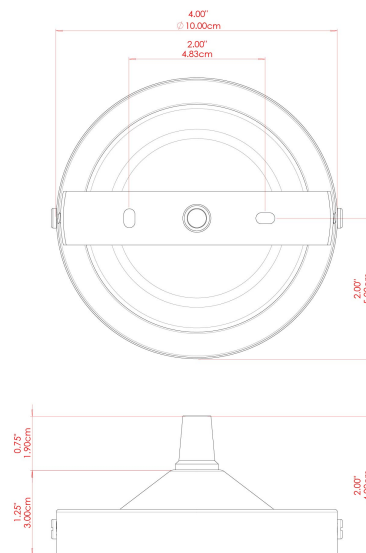
NICOSA Ceiling Light

MLCF115ANTBRS Antique Brass



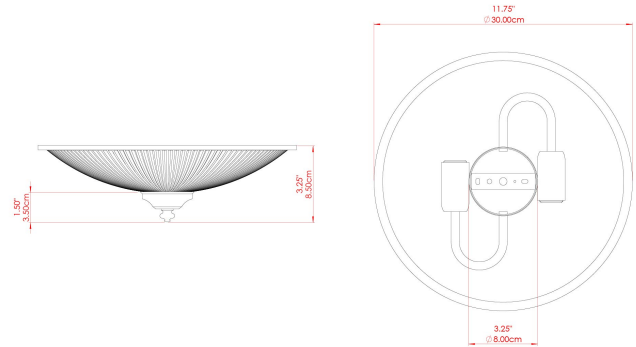
MATERIAL	Brass Glass
HEIGHT	8.5cm
WIDTH DIAMETER	30cm
LENGTH PROJECTION	n/a
WEIGHT	1.3 kg
LAMPHOLDER	E14
MAX WATTAGE	60W
VOLTAGE	220/240v
IP RATING	IP20
CLASS PROTECTION	Class I
SHADE	GL133
FLEX BAR CHAIN LENGTH	n/a
CABLE TYPE	-

FIXING BRACKET: MLROSE010PCWTE



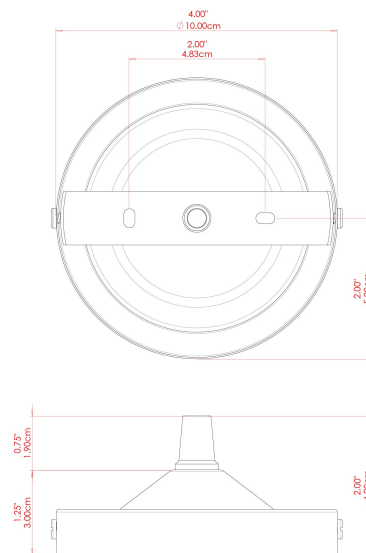
NICOSA Ceiling Light

MLCF115ANTSLV Antique Silver



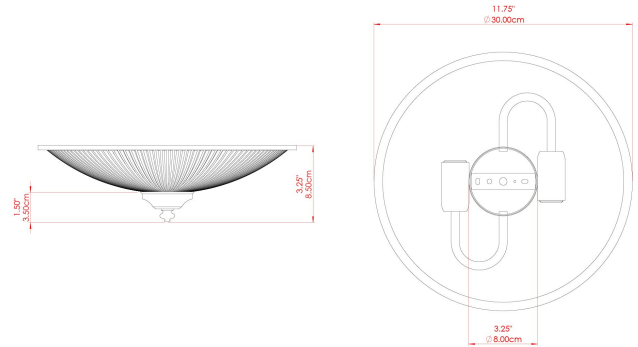
MATERIAL	Brass Glass
HEIGHT	8.5cm
WIDTH DIAMETER	30cm
LENGTH PROJECTION	n/a
WEIGHT	1.3 kg
LAMPHOLDER	E14
MAX WATTAGE	60W
VOLTAGE	220/240v
IP RATING	IP20
CLASS PROTECTION	Class I
SHADE	GL133
FLEX BAR CHAIN LENGTH	n/a
CABLE TYPE	-

FIXING BRACKET: MLROSE010PCWTE



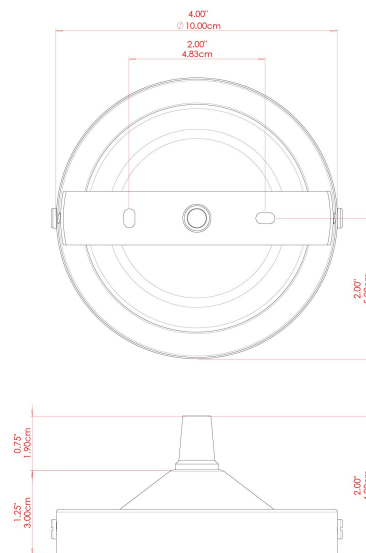
NICOSA Ceiling Light

MLCF115POLBRS Polished Brass



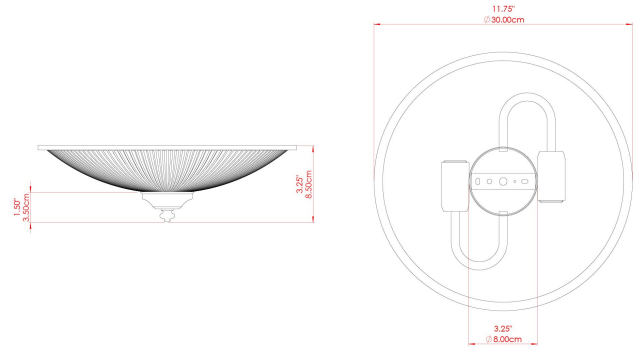
MATERIAL	Brass Glass
HEIGHT	8.5cm
WIDTH DIAMETER	30cm
LENGTH PROJECTION	n/a
WEIGHT	1.3 kg
LAMPHOLDER	E14
MAX WATTAGE	60W
VOLTAGE	220/240v
IP RATING	IP20
CLASS PROTECTION	Class I
SHADE	GL133
FLEX BAR CHAIN LENGTH	n/a
CABLE TYPE	-

FIXING BRACKET: MLROSE010PCWTE



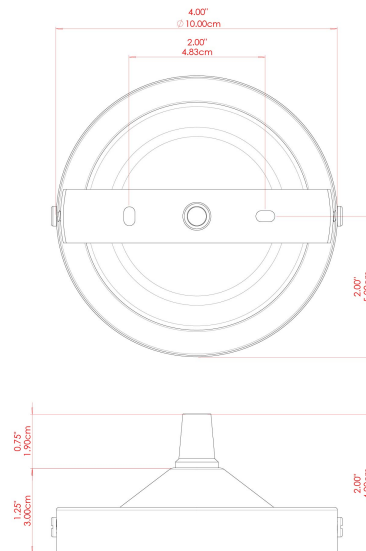
NICOSA Ceiling Light

MLCF115POLCHR Polished Chrome



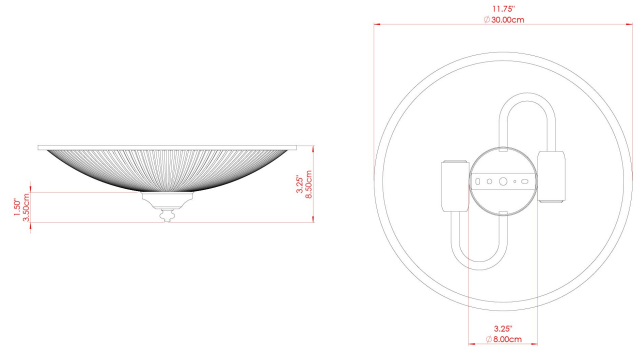
MATERIAL	Brass Glass
HEIGHT	8.5cm
WIDTH DIAMETER	30cm
LENGTH PROJECTION	n/a
WEIGHT	1.3 kg
LAMPHOLDER	E14
MAX WATTAGE	60W
VOLTAGE	220/240v
IP RATING	IP20
CLASS PROTECTION	Class I
SHADE	GL133
FLEX BAR CHAIN LENGTH	n/a
CABLE TYPE	-

FIXING BRACKET: MLROSE010PCWTE



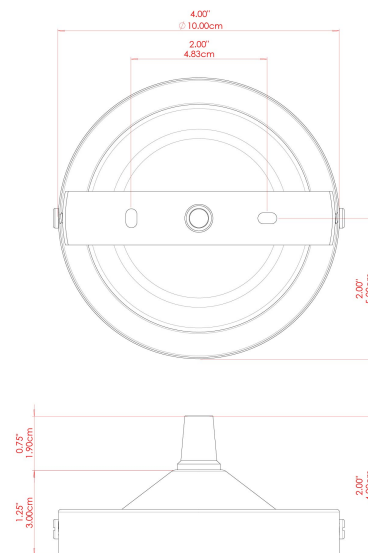
NICOSA Ceiling Light

MLCF115SATBRS Satin Brass



MATERIAL	Brass Glass
HEIGHT	8.5cm
WIDTH DIAMETER	30cm
LENGTH PROJECTION	n/a
WEIGHT	1.3 kg
LAMPHOLDER	E14
MAX WATTAGE	60W
VOLTAGE	220/240v
IP RATING	IP20
CLASS PROTECTION	Class I
SHADE	GL133
FLEX BAR CHAIN LENGTH	n/a
CABLE TYPE	-

FIXING BRACKET: MLROSE010PCWTE

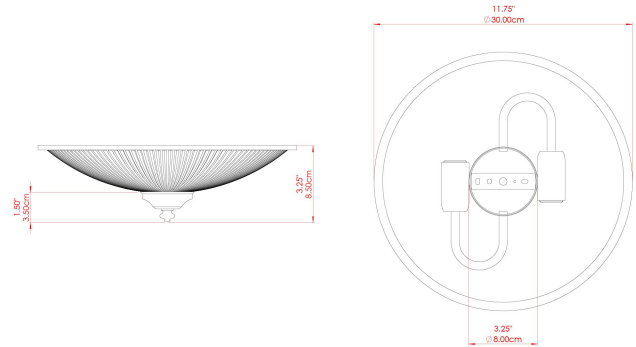


Product Notes:
 1) Bulbs not included. 2) Dimensions do not include bulbs. 3) All products are individually made-to-order and therefore may differ slightly within manufacturing tolerances. 4) Cable / chain can be shortened during installation. Longer cable / chain lengths available on request. 5) Additional colour finishes may be available on request. 6) Refer to our website for a full list of terms and conditions.



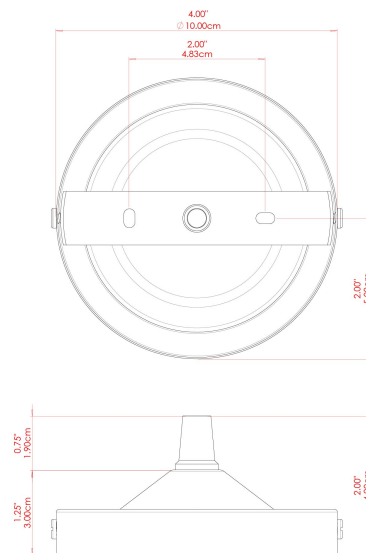
NICOSA Ceiling Light

MLCF115SATCHR Satin Chrome



MATERIAL	Brass Glass
HEIGHT	8.5cm
WIDTH DIAMETER	30cm
LENGTH PROJECTION	n/a
WEIGHT	1.3 kg
LAMPHOLDER	E14
MAX WATTAGE	60W
VOLTAGE	220/240v
IP RATING	IP20
CLASS PROTECTION	Class I
SHADE	GL133
FLEX BAR CHAIN LENGTH	n/a
CABLE TYPE	-

FIXING BRACKET: MLROSE010PCWTE



WWW.MULLANLIGHTING.COM

Product Notes:

1) Bulbs not included. 2) Dimensions do not include bulbs. 3) All products are individually made-to-order and therefore may differ slightly within manufacturing tolerances. 4) Cable / chain can be shortened during installation. Longer cable / chain lengths available on request. 5) Additional colour finishes may be available on request. 6) Refer to our website for a full list of terms and conditions.

