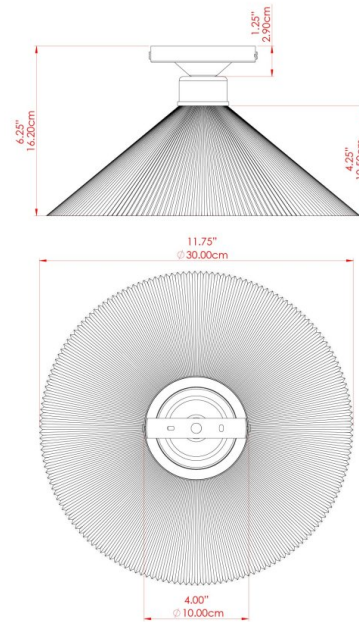


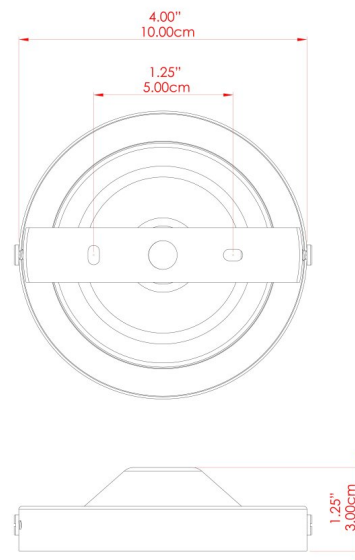
HANOI Ceiling Light

MLCF22ANTBRS Antique Brass



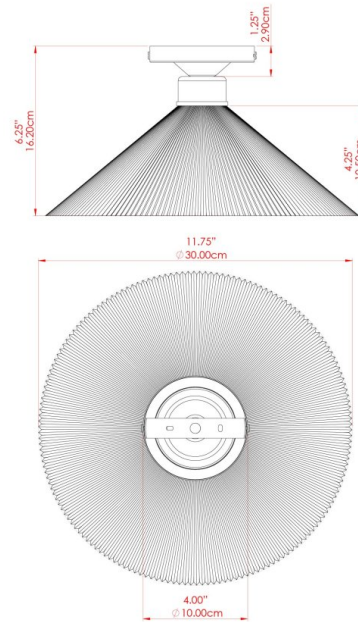
MATERIAL	Brass Glass
HEIGHT	20cm
WIDTH DIAMETER	30cm
LENGTH PROJECTION	n/a
WEIGHT	1.3 kg
LAMPHOLDER	E27
MAX WATTAGE	40W
VOLTAGE	220/240v
IP RATING	IP20
CLASS PROTECTION	Class I
SHADE	GL028
FLEX BAR CHAIN LENGTH	n/a
CABLE TYPE	-

FIXING BRACKET: MLWB02 | Antique Brass



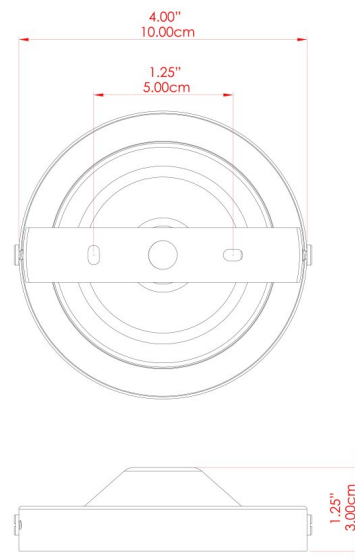
HANOI Ceiling Light

MLCF22ANTSLV Antique Silver



MATERIAL	Brass Glass
HEIGHT	20cm
WIDTH DIAMETER	30cm
LENGTH PROJECTION	n/a
WEIGHT	1.3 kg
LAMPHOLDER	E27
MAX WATTAGE	40W
VOLTAGE	220/240v
IP RATING	IP20
CLASS PROTECTION	Class I
SHADE	GL028
FLEX BAR CHAIN LENGTH	n/a
CABLE TYPE	-

FIXING BRACKET: MLWB02 | Antique Silver



WWW.MULLANLIGHTING.COM

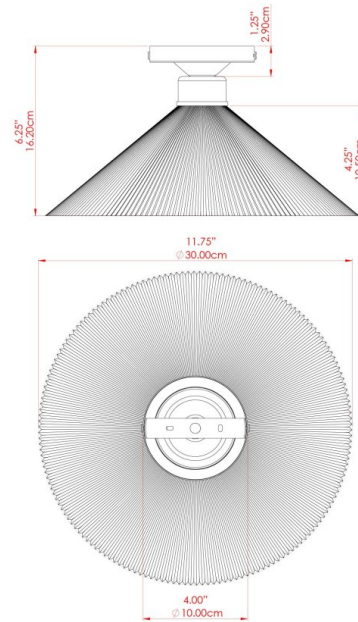
Product Notes:

1) Bulbs not included. 2) Dimensions do not include bulbs. 3) All products are individually made-to-order and therefore may differ slightly within manufacturing tolerances. 4) Cable / chain can be shortened during installation. Longer cable / chain lengths available on request. 5) Additional colour finishes may be available on request. 6) Refer to our website for a full list of terms and conditions.



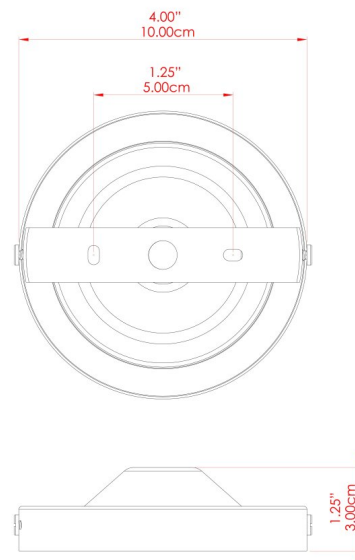
HANOI Ceiling Light

MLCF22POLBRS Polished Brass



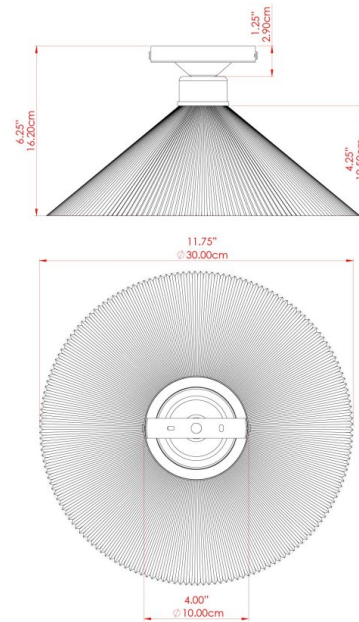
MATERIAL	Brass Glass
HEIGHT	20cm
WIDTH DIAMETER	30cm
LENGTH PROJECTION	n/a
WEIGHT	1.3 kg
LAMPHOLDER	E27
MAX WATTAGE	40W
VOLTAGE	220/240v
IP RATING	IP20
CLASS PROTECTION	Class I
SHADE	GL028
FLEX BAR CHAIN LENGTH	n/a
CABLE TYPE	-

FIXING BRACKET: MLWB02 | Polished Brass



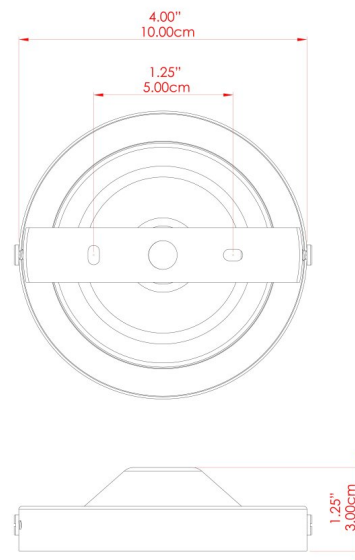
HANOI Ceiling Light

MLCF22POLCHR Polished Chrome



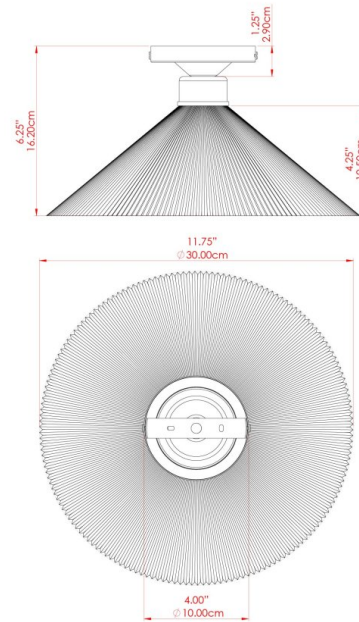
MATERIAL	Brass Glass
HEIGHT	20cm
WIDTH DIAMETER	30cm
LENGTH PROJECTION	n/a
WEIGHT	1.3 kg
LAMPHOLDER	E27
MAX WATTAGE	40W
VOLTAGE	220/240v
IP RATING	IP20
CLASS PROTECTION	Class I
SHADE	GL028
FLEX BAR CHAIN LENGTH	n/a
CABLE TYPE	-

FIXING BRACKET: MLWB02 | Polished Chrome



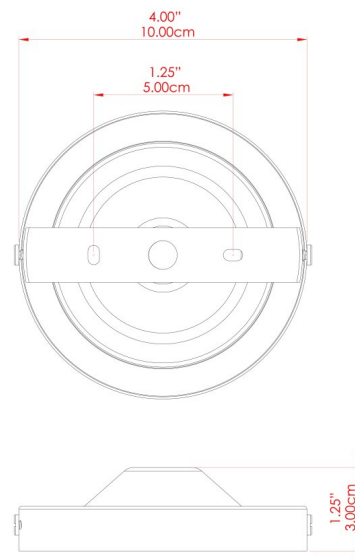
HANOI Ceiling Light

MLCF22POLCOP Polished Copper



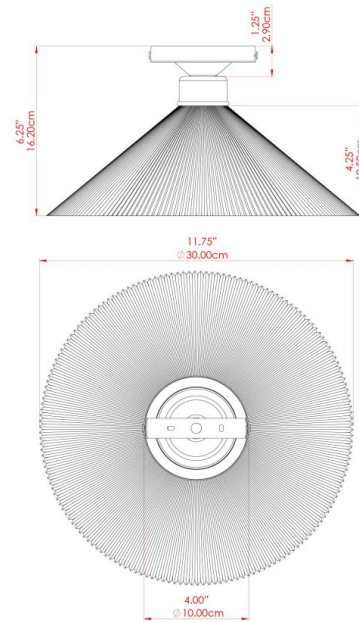
MATERIAL	Brass Copper Glass
HEIGHT	20cm
WIDTH DIAMETER	30cm
LENGTH PROJECTION	n/a
WEIGHT	1.3 kg
LAMPHOLDER	E27
MAX WATTAGE	40W
VOLTAGE	220/240v
IP RATING	IP20
CLASS PROTECTION	Class I
SHADE	GL028
FLEX BAR CHAIN LENGTH	n/a
CABLE TYPE	-

FIXING BRACKET: MLWB02 | Copper



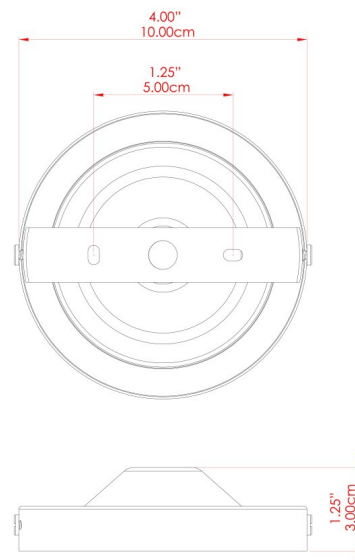
HANOI Ceiling Light

MLCF22SATBRS Satin Brass



MATERIAL	Brass Glass
HEIGHT	20cm
WIDTH DIAMETER	30cm
LENGTH PROJECTION	n/a
WEIGHT	1.3 kg
LAMPHOLDER	E27
MAX WATTAGE	40W
VOLTAGE	220/240v
IP RATING	IP20
CLASS PROTECTION	Class I
SHADE	GL028
FLEX BAR CHAIN LENGTH	n/a
CABLE TYPE	-

FIXING BRACKET: MLWB02 | Polished Brass



WWW.MULLANLIGHTING.COM

Product Notes:

1) Bulbs not included. 2) Dimensions do not include bulbs. 3) All products are individually made-to-order and therefore may differ slightly within manufacturing tolerances. 4) Cable / chain can be shortened during installation. Longer cable / chain lengths available on request. 5) Additional colour finishes may be available on request. 6) Refer to our website for a full list of terms and conditions.

