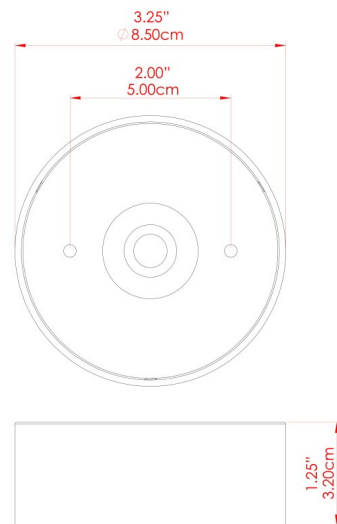
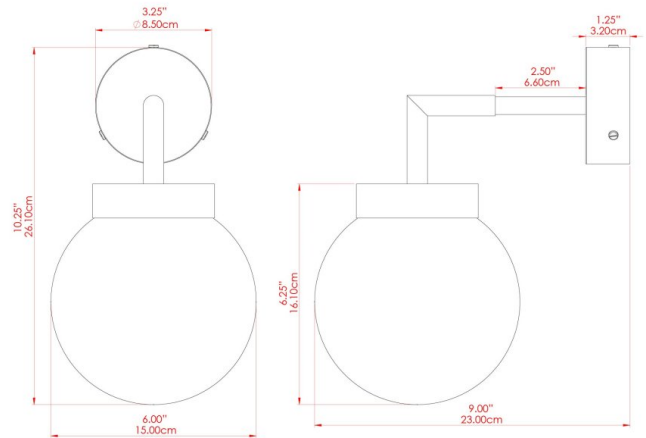


MATERIAL	Brass Glass
HEIGHT	27cm
WIDTH DIAMETER	15cm
LENGTH PROJECTION	22cm
WEIGHT	1.2 kg
LAMPHOLDER	E27
MAX WATTAGE	40W
VOLTAGE	220/240v
IP RATING	IP65
CLASS PROTECTION	Class I
SHADE	GL166
FLEX BAR CHAIN LENGTH	n/a
CABLE TYPE	-

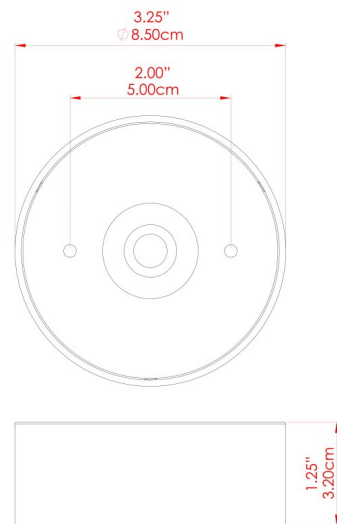
FIXING BRACKET: MLWB13 | Antique Brass





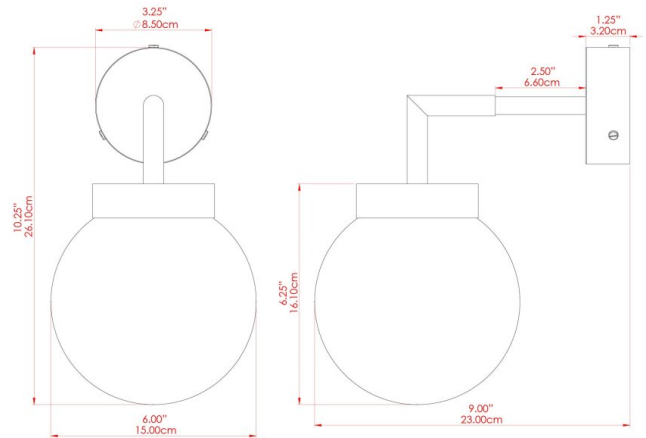
MATERIAL	Brass Glass
HEIGHT	27cm
WIDTH DIAMETER	15cm
LENGTH PROJECTION	22cm
WEIGHT	1.2 kg
LAMPHOLDER	E27
MAX WATTAGE	40W
VOLTAGE	220/240v
IP RATING	IP65
CLASS PROTECTION	Class I
SHADE	GL167
FLEX BAR CHAIN LENGTH	n/a
CABLE TYPE	-

FIXING BRACKET: MLWB13 | Antique Brass



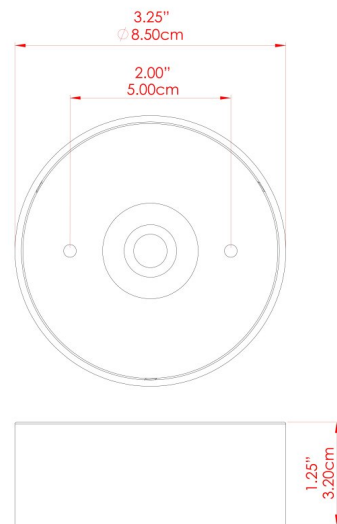
Product Notes:
 1) Bulbs not included. 2) Dimensions do not include bulbs. 3) All products are individually made-to-order and therefore may differ slightly within manufacturing tolerances. 4) Cable / chain can be shortened during installation. Longer cable / chain lengths available on request. 5) Additional colour finishes may be available on request. 6) Refer to our website for a full list of terms and conditions.

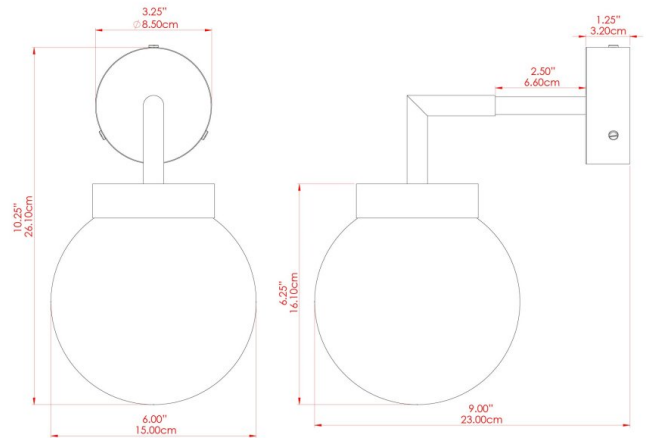




MATERIAL	Brass Glass
HEIGHT	27cm
WIDTH DIAMETER	15cm
LENGTH PROJECTION	22cm
WEIGHT	1.2 kg
LAMPHOLDER	E27
MAX WATTAGE	40W
VOLTAGE	220/240v
IP RATING	IP65
CLASS PROTECTION	Class I
SHADE	GL166
FLEX BAR CHAIN LENGTH	n/a
CABLE TYPE	-

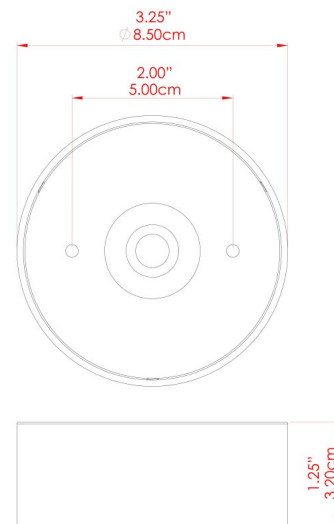
FIXING BRACKET: MLWB13 | Antique Silver





MATERIAL	Brass Glass
HEIGHT	27cm
WIDTH DIAMETER	15cm
LENGTH PROJECTION	22cm
WEIGHT	1.2 kg
LAMPHOLDER	E27
MAX WATTAGE	40W
VOLTAGE	220/240v
IP RATING	IP65
CLASS PROTECTION	Class I
SHADE	GL167
FLEX BAR CHAIN LENGTH	n/a
CABLE TYPE	-

FIXING BRACKET: MLWB13 | Antique Silver

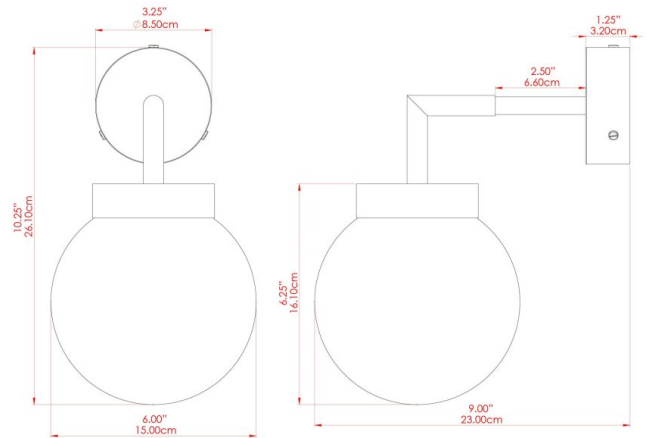


WWW.MULLANLIGHTING.COM

Product Notes:

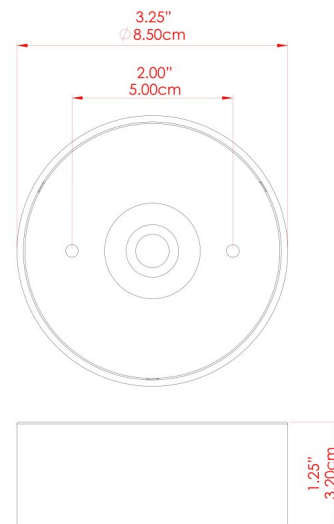
1) Bulbs not included. 2) Dimensions do not include bulbs. 3) All products are individually made-to-order and therefore may differ slightly within manufacturing tolerances. 4) Cable / chain can be shortened during installation. Longer cable / chain lengths available on request. 5) Additional colour finishes may be available on request. 6) Refer to our website for a full list of terms and conditions.

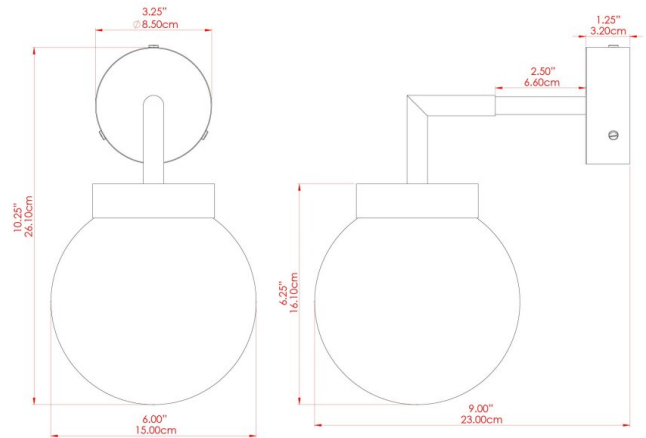




MATERIAL	Brass Glass
HEIGHT	27cm
WIDTH DIAMETER	15cm
LENGTH PROJECTION	22cm
WEIGHT	1.2 kg
LAMPHOLDER	E27
MAX WATTAGE	40W
VOLTAGE	220/240v
IP RATING	IP65
CLASS PROTECTION	Class I
SHADE	GL166
FLEX BAR CHAIN LENGTH	n/a
CABLE TYPE	-

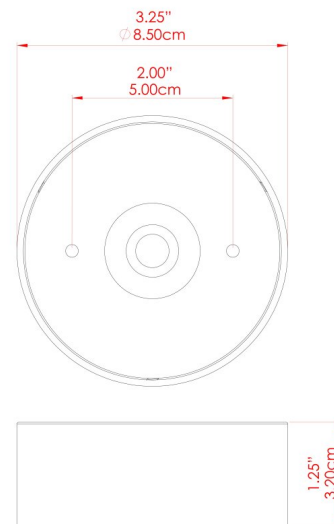
FIXING BRACKET: MLWB13 | Natural Brass

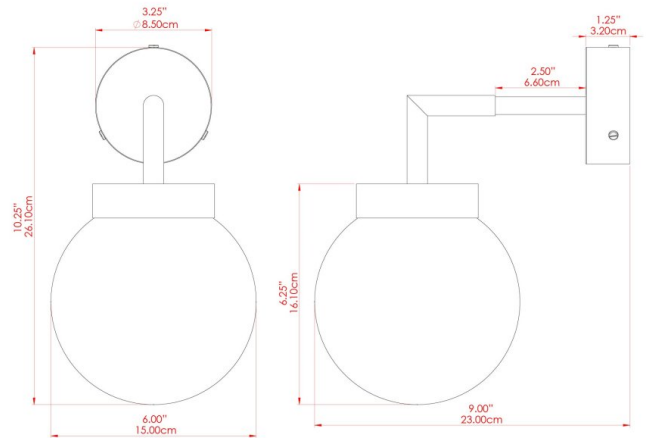




MATERIAL	Brass Glass
HEIGHT	27cm
WIDTH DIAMETER	15cm
LENGTH PROJECTION	22cm
WEIGHT	1.2 kg
LAMPHOLDER	E27
MAX WATTAGE	40W
VOLTAGE	220/240v
IP RATING	IP65
CLASS PROTECTION	Class I
SHADE	GL167
FLEX BAR CHAIN LENGTH	n/a
CABLE TYPE	-

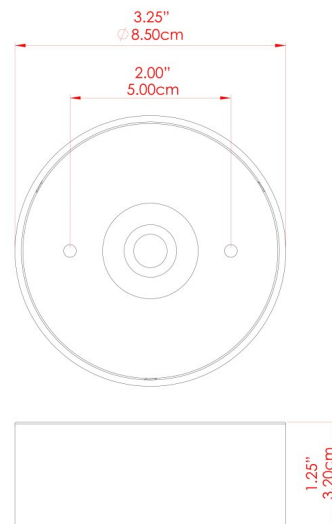
FIXING BRACKET: MLWB13 | Natural Brass

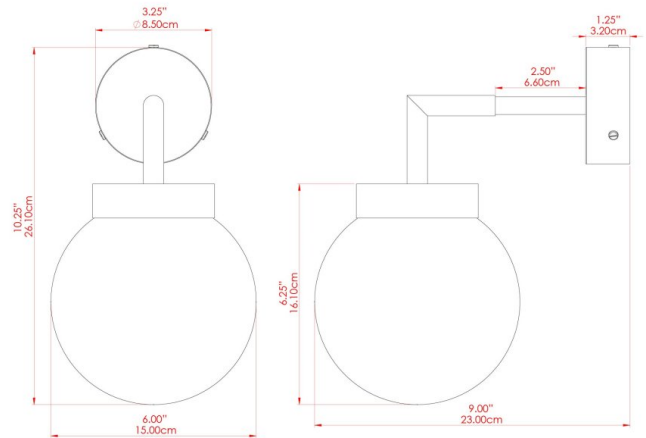




MATERIAL	Brass Glass
HEIGHT	27cm
WIDTH DIAMETER	15cm
LENGTH PROJECTION	22cm
WEIGHT	1.2 kg
LAMPHOLDER	E27
MAX WATTAGE	40W
VOLTAGE	220/240v
IP RATING	IP65
CLASS PROTECTION	Class I
SHADE	GL166
FLEX BAR CHAIN LENGTH	n/a
CABLE TYPE	-

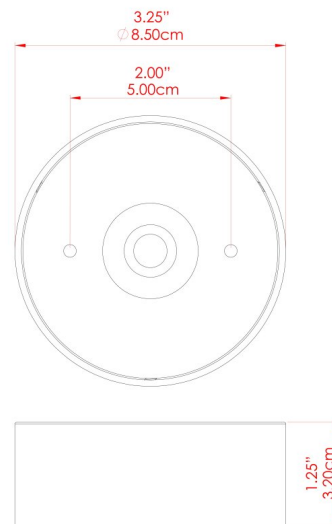
FIXING BRACKET: MLWB13 | Polished Brass

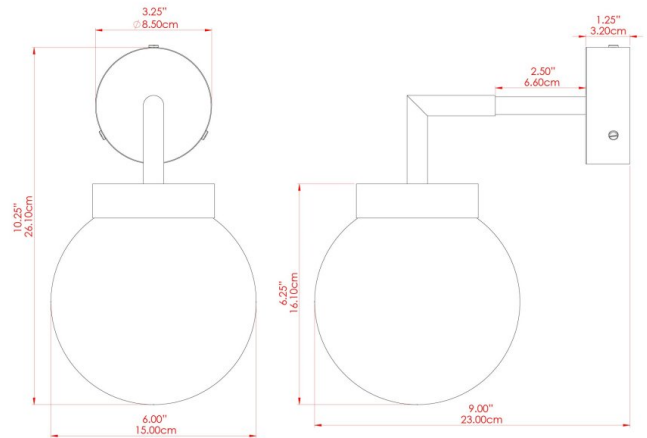




MATERIAL	Brass Glass
HEIGHT	27cm
WIDTH DIAMETER	15cm
LENGTH PROJECTION	22cm
WEIGHT	1.2 kg
LAMPHOLDER	E27
MAX WATTAGE	40W
VOLTAGE	220/240v
IP RATING	IP65
CLASS PROTECTION	Class I
SHADE	GL167
FLEX BAR CHAIN LENGTH	n/a
CABLE TYPE	-

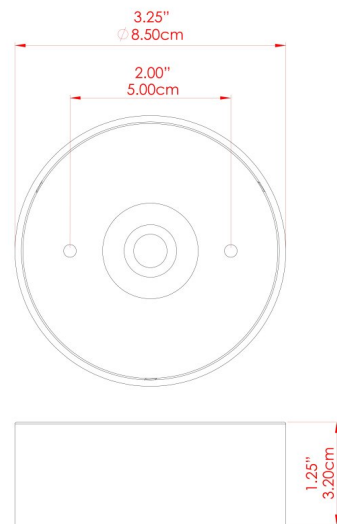
FIXING BRACKET: MLWB13 | Polished Brass





MATERIAL	Brass Glass
HEIGHT	27cm
WIDTH DIAMETER	15cm
LENGTH PROJECTION	22cm
WEIGHT	1.2 kg
LAMPHOLDER	E27
MAX WATTAGE	40W
VOLTAGE	220/240v
IP RATING	IP65
CLASS PROTECTION	Class I
SHADE	GL166
FLEX BAR CHAIN LENGTH	n/a
CABLE TYPE	-

FIXING BRACKET: MLWB13 | Satin Brass

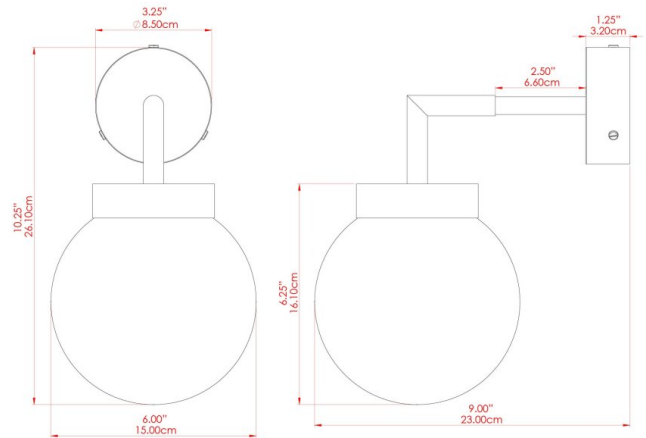


WWW.MULLANLIGHTING.COM

Product Notes:

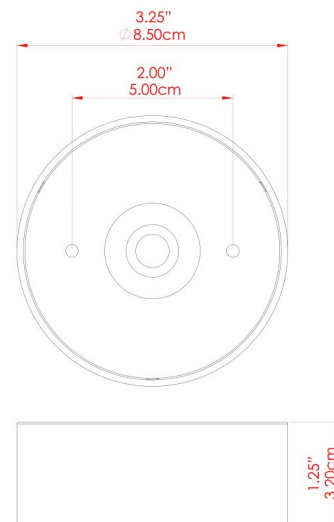
1) Bulbs not included. 2) Dimensions do not include bulbs. 3) All products are individually made-to-order and therefore may differ slightly within manufacturing tolerances. 4) Cable / chain can be shortened during installation. Longer cable / chain lengths available on request. 5) Additional colour finishes may be available on request. 6) Refer to our website for a full list of terms and conditions.





MATERIAL	Brass Glass
HEIGHT	27cm
WIDTH DIAMETER	15cm
LENGTH PROJECTION	22cm
WEIGHT	1.2 kg
LAMPHOLDER	E27
MAX WATTAGE	40W
VOLTAGE	220/240v
IP RATING	IP65
CLASS PROTECTION	Class I
SHADE	GL167
FLEX BAR CHAIN LENGTH	n/a
CABLE TYPE	-

FIXING BRACKET: MLWB13 | Satin Brass



WWW.MULLANLIGHTING.COM

Product Notes:

1) Bulbs not included. 2) Dimensions do not include bulbs. 3) All products are individually made-to-order and therefore may differ slightly within manufacturing tolerances. 4) Cable / chain can be shortened during installation. Longer cable / chain lengths available on request. 5) Additional colour finishes may be available on request. 6) Refer to our website for a full list of terms and conditions.

