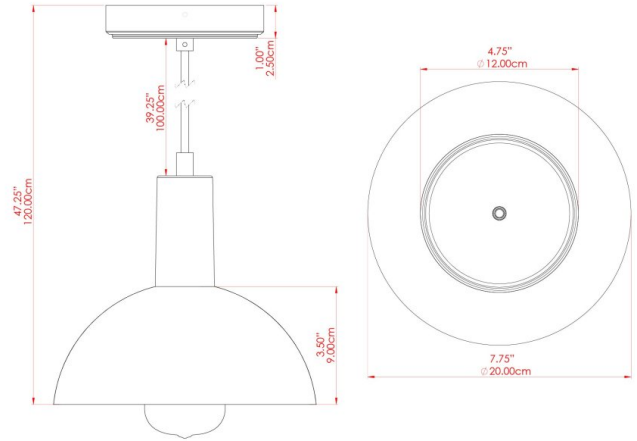


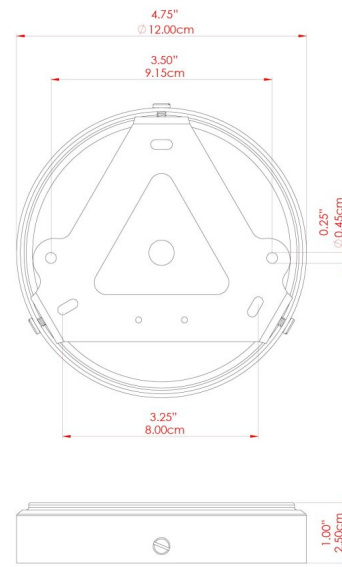
KAURI Ceramic Pendant

MLCMP013ANTBRS Antique Brass



MATERIAL	Brass
HEIGHT	20cm
WIDTH DIAMETER	20cm
LENGTH PROJECTION	n/a
WEIGHT	0.9 kg
LAMPHOLDER	E27
MAX WATTAGE	40W
VOLTAGE	220/240v
IP RATING	IP20
CLASS PROTECTION	Class I
SHADE	MLCS003
FLEX BAR CHAIN LENGTH	100cm
CABLE TYPE	MLCA047 Brown Fabric Braided Cable 2 Core Round

FIXING BRACKET: MLROSE39 | Antique Brass

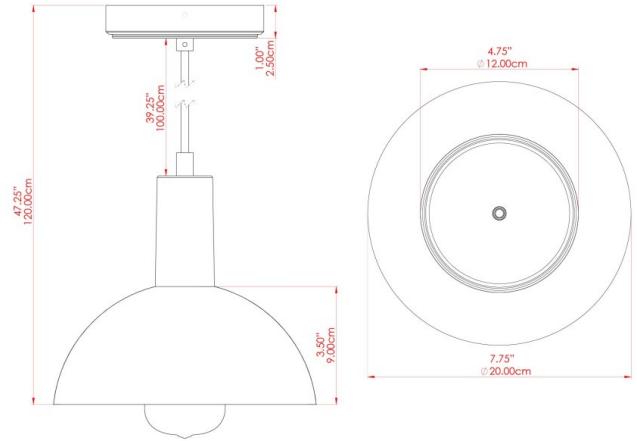


Product Notes:
 1) Bulbs not included. 2) Dimensions do not include bulbs. 3) All products are individually made-to-order and therefore may differ slightly within manufacturing tolerances. 4) Cable / chain can be shortened during installation. Longer cable / chain lengths available on request. 5) Additional colour finishes may be available on request. 6) Refer to our website for a full list of terms and conditions.



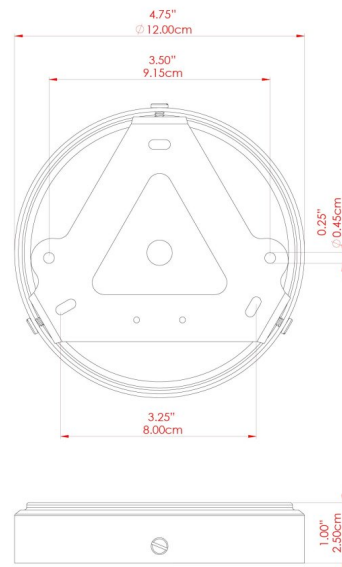
KAURI Ceramic Pendant

MLCMP013ANTSLV Antique Silver



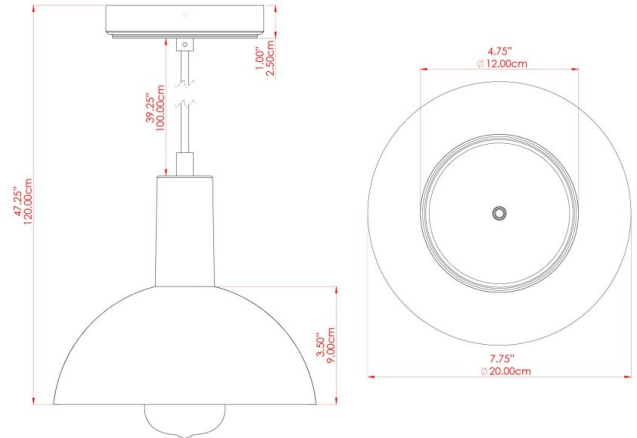
MATERIAL	Brass
HEIGHT	20cm
WIDTH DIAMETER	20cm
LENGTH PROJECTION	n/a
WEIGHT	0.9 kg
LAMPHOLDER	E27
MAX WATTAGE	40W
VOLTAGE	220/240v
IP RATING	IP20
CLASS PROTECTION	Class I
SHADE	MLCS003
FLEX BAR CHAIN LENGTH	100cm
CABLE TYPE	MLCA028 Black Fabric Braided Cable 2 Core Round

FIXING BRACKET: MLROSE39 | Antique Silver



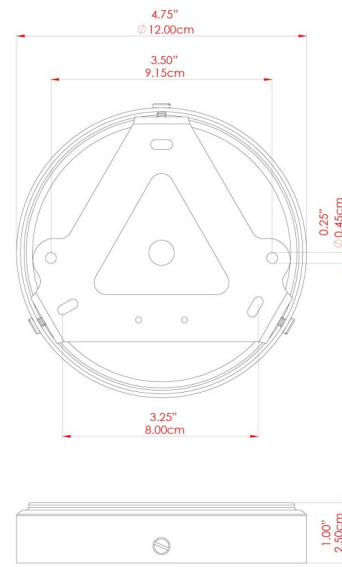
KAURI Ceramic Pendant

MLCMP013POLBRS Polished Brass



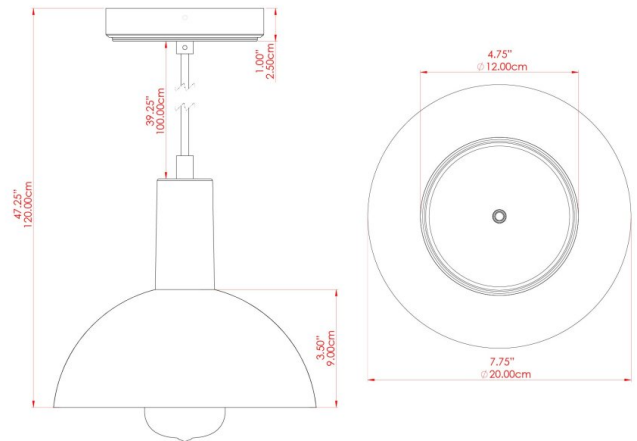
MATERIAL	Brass
HEIGHT	20cm
WIDTH DIAMETER	20cm
LENGTH PROJECTION	n/a
WEIGHT	0.9 kg
LAMPHOLDER	E27
MAX WATTAGE	40W
VOLTAGE	220/240v
IP RATING	IP20
CLASS PROTECTION	Class I
SHADE	MLCS003
FLEX BAR CHAIN LENGTH	100cm
CABLE TYPE	MLCA028 Black Fabric Braided Cable 2 Core Round

FIXING BRACKET: MLROSE39 | Polished Brass



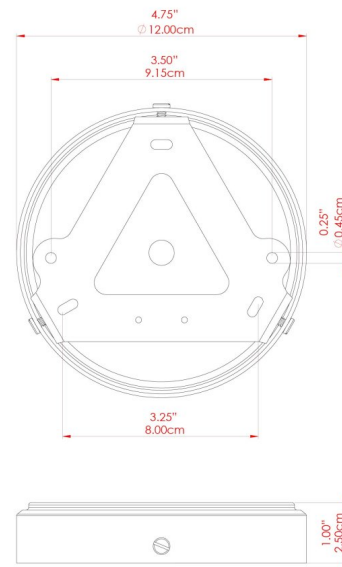
KAURI Ceramic Pendant

MLCMP013SATBRS Satin Brass



MATERIAL	Brass
HEIGHT	20cm
WIDTH DIAMETER	20cm
LENGTH PROJECTION	n/a
WEIGHT	0.9 kg
LAMPHOLDER	E27
MAX WATTAGE	40W
VOLTAGE	220/240v
IP RATING	IP20
CLASS PROTECTION	Class I
SHADE	MLCS003
FLEX BAR CHAIN LENGTH	100cm
CABLE TYPE	MLCA028 Black Fabric Braided Cable 2 Core Round

FIXING BRACKET: MLROSE39 | Satin Brass



Product Notes:
 1) Bulbs not included. 2) Dimensions do not include bulbs. 3) All products are individually made-to-order and therefore may differ slightly within manufacturing tolerances. 4) Cable / chain can be shortened during installation. Longer cable / chain lengths available on request. 5) Additional colour finishes may be available on request. 6) Refer to our website for a full list of terms and conditions.

