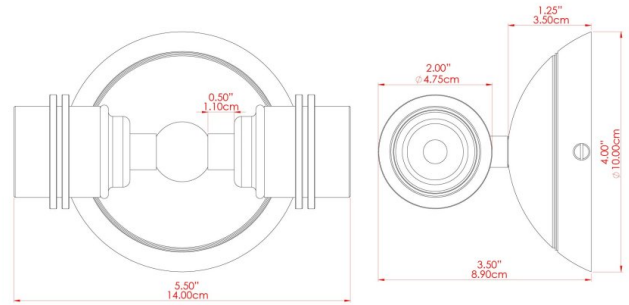


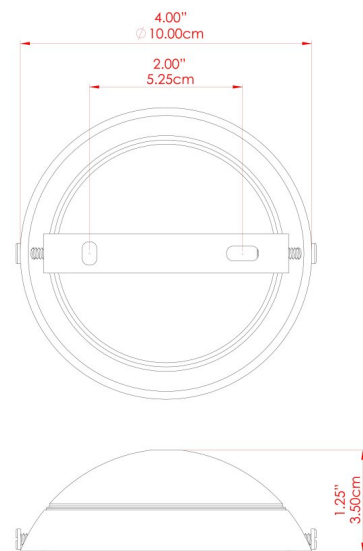
LOME Wall Light

MLWL171ANTBRS Antique Brass



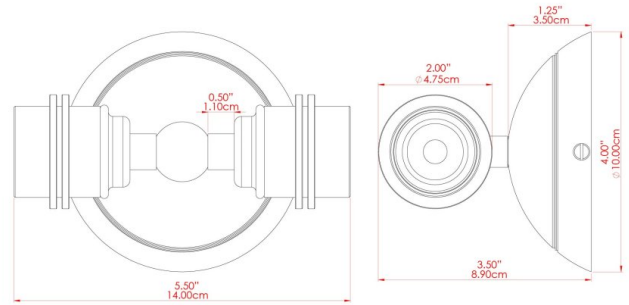
MATERIAL	Brass
HEIGHT	10cm
WIDTH DIAMETER	14.5cm
LENGTH PROJECTION	8.5cm
WEIGHT	0.49 kg
LAMPHOLDER	E27
MAX WATTAGE	60W
VOLTAGE	220/240v
IP RATING	IP20
CLASS PROTECTION	Class I
SHADE	-
FLEX BAR CHAIN LENGTH	n/a
CABLE TYPE	-

FIXING BRACKET: MLWB01 | Antique Brass



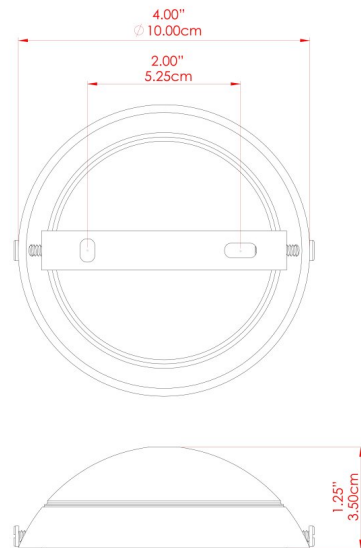
LOME Wall Light

MLWL171ANTSLV Antique Silver



MATERIAL	Brass
HEIGHT	10cm
WIDTH DIAMETER	14.5cm
LENGTH PROJECTION	8.5cm
WEIGHT	0.49 kg
LAMPHOLDER	E27
MAX WATTAGE	60W
VOLTAGE	220/240v
IP RATING	IP20
CLASS PROTECTION	Class I
SHADE	-
FLEX BAR CHAIN LENGTH	n/a
CABLE TYPE	-

FIXING BRACKET: MLWB01 | Antique Silver



WWW.MULLANLIGHTING.COM

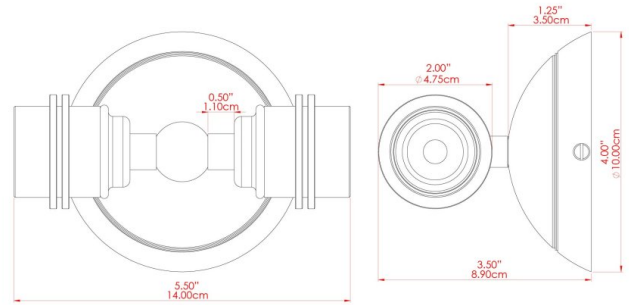
Product Notes:

1) Bulbs not included. 2) Dimensions do not include bulbs. 3) All products are individually made-to-order and therefore may differ slightly within manufacturing tolerances. 4) Cable / chain can be shortened during installation. Longer cable / chain lengths available on request. 5) Additional colour finishes may be available on request. 6) Refer to our website for a full list of terms and conditions.



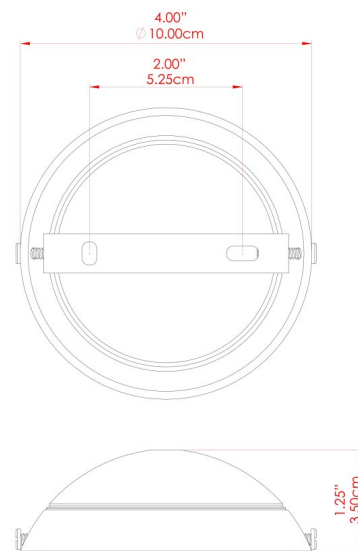
LOME Wall Light

MLWL171POLBRS Polished Brass



MATERIAL	Brass
HEIGHT	10cm
WIDTH DIAMETER	14.5cm
LENGTH PROJECTION	8.5cm
WEIGHT	0.49 kg
LAMPHOLDER	E27
MAX WATTAGE	60W
VOLTAGE	220/240v
IP RATING	IP20
CLASS PROTECTION	Class I
SHADE	-
FLEX BAR CHAIN LENGTH	n/a
CABLE TYPE	-

FIXING BRACKET: MLWB01 | Polished Brass

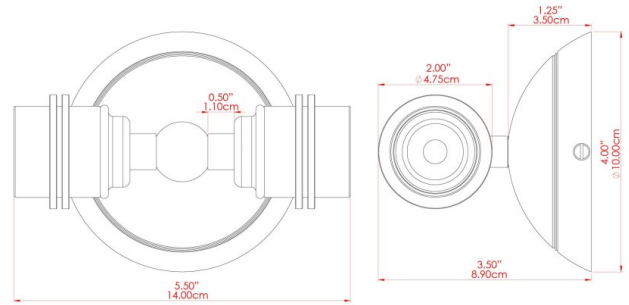


Product Notes:
 1) Bulbs not included. 2) Dimensions do not include bulbs. 3) All products are individually made-to-order and therefore may differ slightly within manufacturing tolerances. 4) Cable / chain can be shortened during installation. Longer cable / chain lengths available on request. 5) Additional colour finishes may be available on request. 6) Refer to our website for a full list of terms and conditions.



LOME Wall Light

MLWL171SATBRS Satin Brass



MATERIAL	Brass
HEIGHT	10cm
WIDTH DIAMETER	14.5cm
LENGTH PROJECTION	8.5cm
WEIGHT	0.49 kg
LAMPHOLDER	E27
MAX WATTAGE	60W
VOLTAGE	220/240v
IP RATING	IP20
CLASS PROTECTION	Class I
SHADE	-
FLEX BAR CHAIN LENGTH	n/a
CABLE TYPE	-

FIXING BRACKET: MLWB01 | Satin Brass

