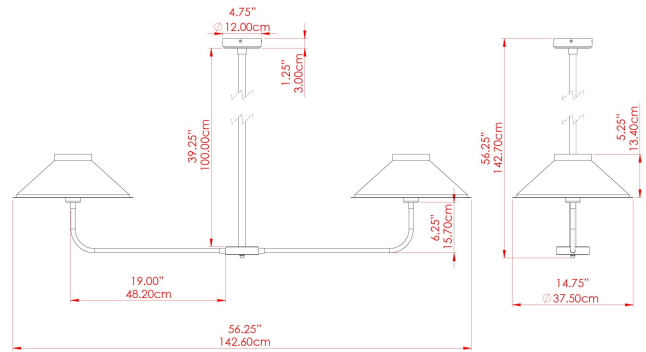


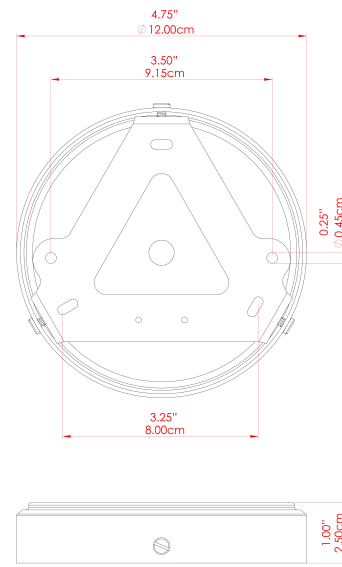
# PRINCETON Chandelier

## MLF347ANTBRS Antique Brass



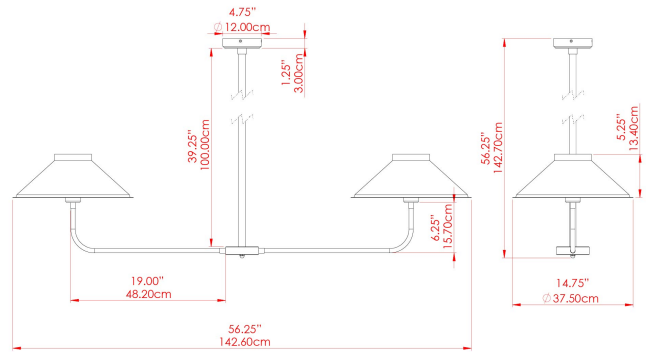
MATERIAL	Brass
HEIGHT	87cm
WIDTH   DIAMETER	14cm
LENGTH   PROJECTION	110cm
WEIGHT	2.5 kg
LAMPHOLDER	E27
MAX WATTAGE	40W
VOLTAGE	220/240v
IP RATING	IP20
CLASS PROTECTION	Class I
SHADE	
FLEX   BAR   CHAIN LENGTH	100cm
CABLE TYPE	-

### FIXING BRACKET: MLWB17



# PRINCETON Chandelier

# MLF347ANTSLV Antique Silver



MATERIAL	Brass
HEIGHT	87cm
WIDTH   DIAMETER	14cm
LENGTH   PROJECTION	110cm
WEIGHT	2.5 kg
LAMPHOLDER	E27
MAX WATTAGE	40W
VOLTAGE	220/240v
IP RATING	IP20
CLASS PROTECTION	Class I
SHADE	
FLEX   BAR   CHAIN LENGTH	100cm
CABLE TYPE	-

### FIXING BRACKET: MLWB17

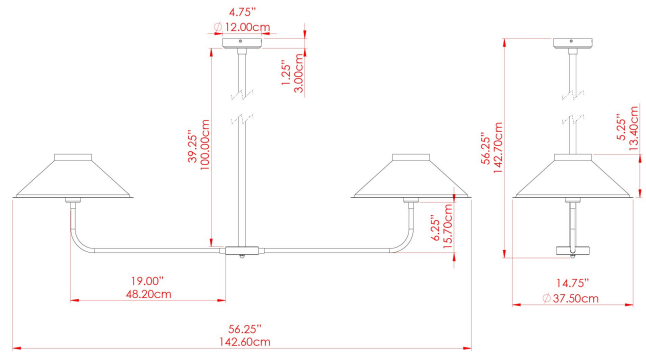


Product Notes:  
 1) Bulbs not included. 2) Dimensions do not include bulbs. 3) All products are individually made-to-order and therefore may differ slightly within manufacturing tolerances. 4) Cable / chain can be shortened during installation. Longer cable / chain lengths available on request. 5) Additional colour finishes may be available on request. 6) Refer to our website for a full list of terms and conditions.



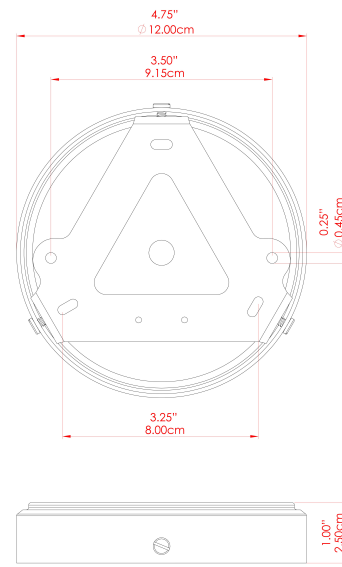
# PRINCETON Chandelier

MLF347PCMBK Matt Black



MATERIAL	Brass
HEIGHT	87cm
WIDTH   DIAMETER	14cm
LENGTH   PROJECTION	110cm
WEIGHT	2.5 kg
LAMPHOLDER	E27
MAX WATTAGE	40W
VOLTAGE	220/240v
IP RATING	IP20
CLASS PROTECTION	Class I
SHADE	
FLEX   BAR   CHAIN LENGTH	100cm
CABLE TYPE	-

### FIXING BRACKET: MLWB17



WWW.MULLANLIGHTING.COM

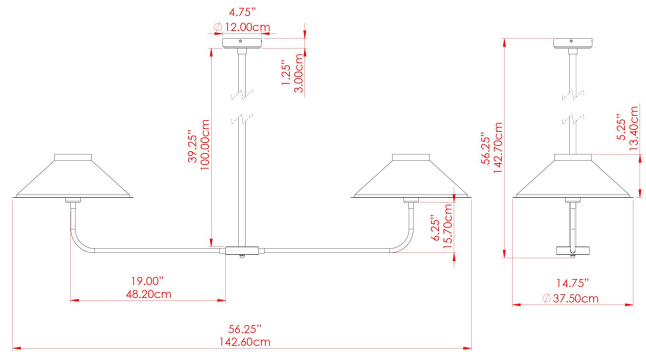
#### Product Notes:

1) Bulbs not included. 2) Dimensions do not include bulbs. 3) All products are individually made-to-order and therefore may differ slightly within manufacturing tolerances. 4) Cable / chain can be shortened during installation. Longer cable / chain lengths available on request. 5) Additional colour finishes may be available on request. 6) Refer to our website for a full list of terms and conditions.



# PRINCETON Chandelier

## MLF347POLBRS Polished Brass



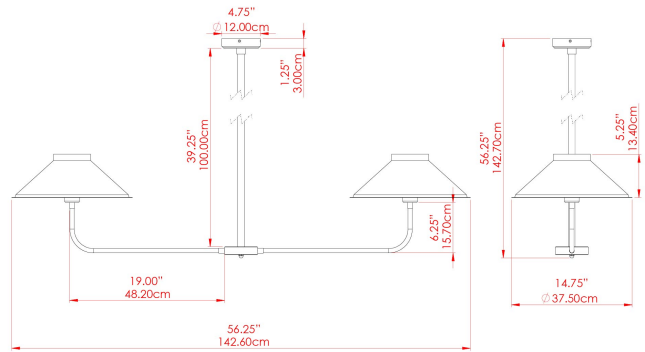
MATERIAL	Brass
HEIGHT	87cm
WIDTH   DIAMETER	14cm
LENGTH   PROJECTION	110cm
WEIGHT	2.5 kg
LAMPHOLDER	E27
MAX WATTAGE	40W
VOLTAGE	220/240v
IP RATING	IP20
CLASS PROTECTION	Class I
SHADE	
FLEX   BAR   CHAIN LENGTH	100cm
CABLE TYPE	-

### FIXING BRACKET: MLWB17



# PRINCETON Chandelier

MLF347SATBRS Satin Brass



MATERIAL	Brass
HEIGHT	87cm
WIDTH   DIAMETER	14cm
LENGTH   PROJECTION	110cm
WEIGHT	2.5 kg
LAMPHOLDER	E27
MAX WATTAGE	40W
VOLTAGE	220/240v
IP RATING	IP20
CLASS PROTECTION	Class I
SHADE	
FLEX   BAR   CHAIN LENGTH	100cm
CABLE TYPE	-

## FIXING BRACKET: MLWB17



WWW.MULLANLIGHTING.COM

### Product Notes:

1) Bulbs not included. 2) Dimensions do not include bulbs. 3) All products are individually made-to-order and therefore may differ slightly within manufacturing tolerances. 4) Cable / chain can be shortened during installation. Longer cable / chain lengths available on request. 5) Additional colour finishes may be available on request. 6) Refer to our website for a full list of terms and conditions.

