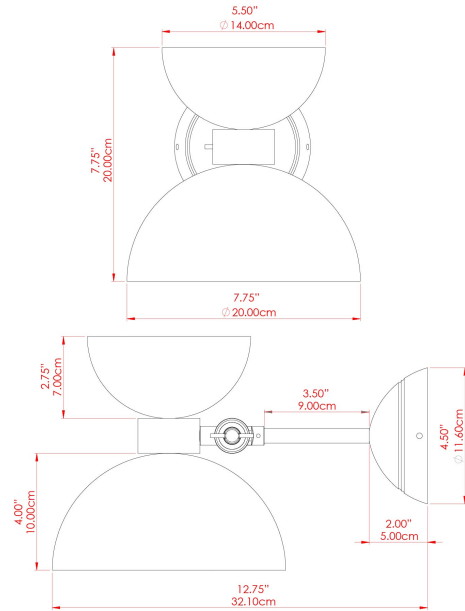


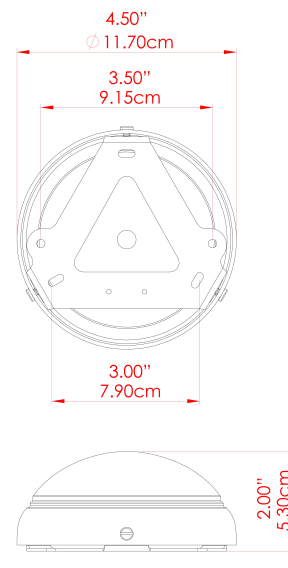
# NAKAI Ceramic Wall Light

## MLCMWL039ANTBRSCl Antique Brass



MATERIAL	Brass   Ceramic   Glass
HEIGHT	24cm
WIDTH   DIAMETER	20cm
LENGTH   PROJECTION	31-35cm
WEIGHT	2.1 kg
LAMPHOLDER	G9
MAX WATTAGE	6.5W
VOLTAGE	220/240v
IP RATING	IP20
CLASS PROTECTION	Class I
SHADE	GL192   MLCS002   MLCS072
FLEX   BAR   CHAIN LENGTH	n/a
CABLE TYPE	-

### FIXING BRACKET: MLWB11



WWW.MULLANLIGHTING.COM

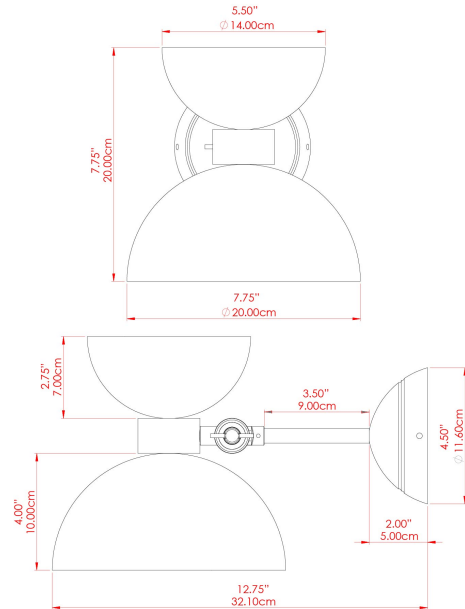
#### Product Notes:

1) Bulbs not included. 2) Dimensions do not include bulbs. 3) All products are individually made-to-order and therefore may differ slightly within manufacturing tolerances. 4) Cable / chain can be shortened during installation. Longer cable / chain lengths available on request. 5) Additional colour finishes may be available on request. 6) Refer to our website for a full list of terms and conditions.



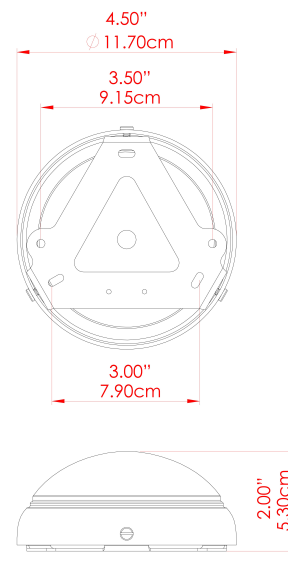
# NAKAI Ceramic Wall Light

## MLCMWL039ANTBRSOP Antique Brass



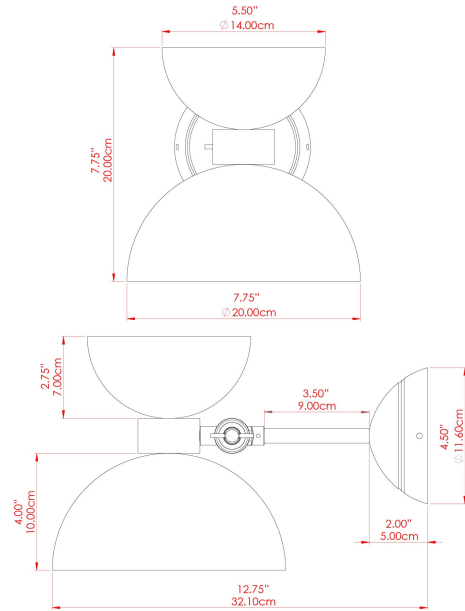
MATERIAL	Brass   Ceramic   Glass
HEIGHT	24cm
WIDTH   DIAMETER	20cm
LENGTH   PROJECTION	31-35cm
WEIGHT	2.1 kg
LAMPHOLDER	G9
MAX WATTAGE	6.5W
VOLTAGE	220/240v
IP RATING	IP20
CLASS PROTECTION	Class I
SHADE	GL192   MLCS002   MLCS072
FLEX   BAR   CHAIN LENGTH	n/a
CABLE TYPE	-

### FIXING BRACKET: MLWB11



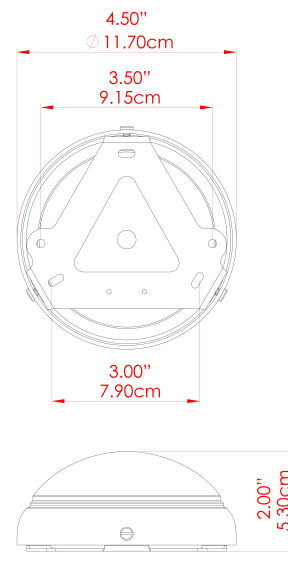
# NAKAI Ceramic Wall Light

## MLCMWL039ANTBRSFR Antique Brass



MATERIAL	Brass   Ceramic   Glass
HEIGHT	24cm
WIDTH   DIAMETER	20cm
LENGTH   PROJECTION	31-35cm
WEIGHT	2.1 kg
LAMPHOLDER	G9
MAX WATTAGE	6.5W
VOLTAGE	220/240v
IP RATING	IP20
CLASS PROTECTION	Class I
SHADE	GL192   MLCS002   MLCS072
FLEX   BAR   CHAIN LENGTH	n/a
CABLE TYPE	-

### FIXING BRACKET: MLWB11



WWW.MULLANLIGHTING.COM

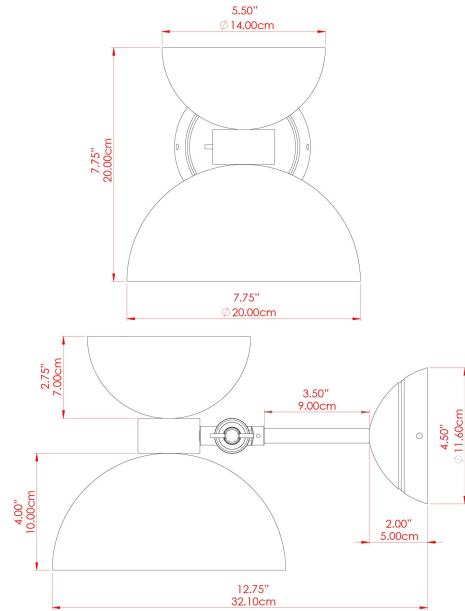
#### Product Notes:

1) Bulbs not included. 2) Dimensions do not include bulbs. 3) All products are individually made-to-order and therefore may differ slightly within manufacturing tolerances. 4) Cable / chain can be shortened during installation. Longer cable / chain lengths available on request. 5) Additional colour finishes may be available on request. 6) Refer to our website for a full list of terms and conditions.



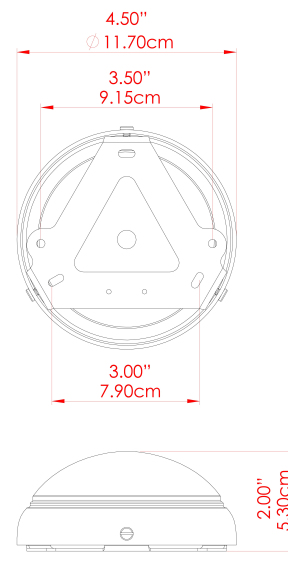
# NAKAI Ceramic Wall Light

MLCMWL039ANTSLVOP Antique Silver



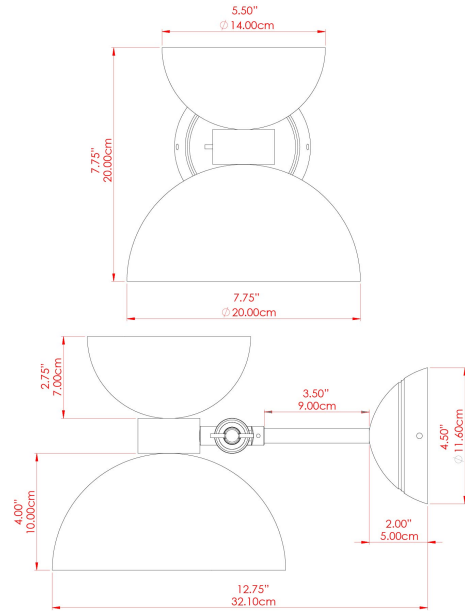
MATERIAL	Brass   Ceramic   Glass
HEIGHT	24cm
WIDTH   DIAMETER	20cm
LENGTH   PROJECTION	31-35cm
WEIGHT	2.1 kg
LAMPHOLDER	G9
MAX WATTAGE	6.5W
VOLTAGE	220/240v
IP RATING	IP20
CLASS PROTECTION	Class I
SHADE	GL192   MLCS002   MLCS072
FLEX   BAR   CHAIN LENGTH	n/a
CABLE TYPE	-

FIXING BRACKET: MLWB11



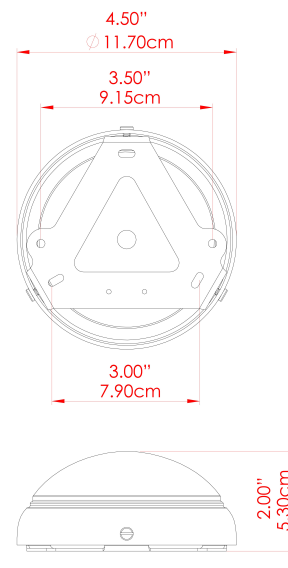
# NAKAI Ceramic Wall Light

MLCMWL039ANTSLVCL Antique Silver



MATERIAL	Brass   Ceramic   Glass
HEIGHT	24cm
WIDTH   DIAMETER	20cm
LENGTH   PROJECTION	31-35cm
WEIGHT	2.1 kg
LAMPHOLDER	G9
MAX WATTAGE	6.5W
VOLTAGE	220/240v
IP RATING	IP20
CLASS PROTECTION	Class I
SHADE	GL192   MLCS002   MLCS072
FLEX   BAR   CHAIN LENGTH	n/a
CABLE TYPE	-

FIXING BRACKET: MLWB11



WWW.MULLANLIGHTING.COM

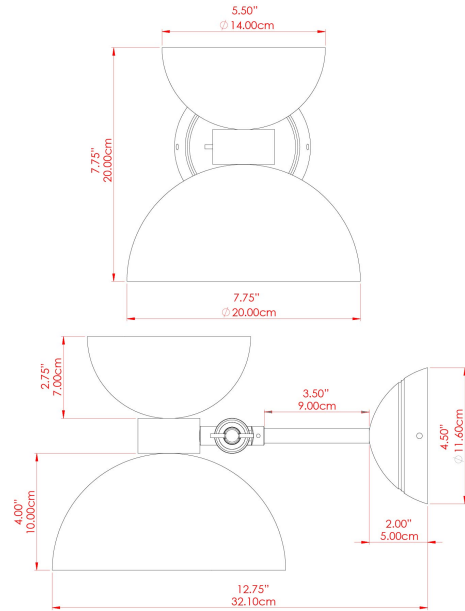
**Product Notes:**

1) Bulbs not included. 2) Dimensions do not include bulbs. 3) All products are individually made-to-order and therefore may differ slightly within manufacturing tolerances. 4) Cable / chain can be shortened during installation. Longer cable / chain lengths available on request. 5) Additional colour finishes may be available on request. 6) Refer to our website for a full list of terms and conditions.



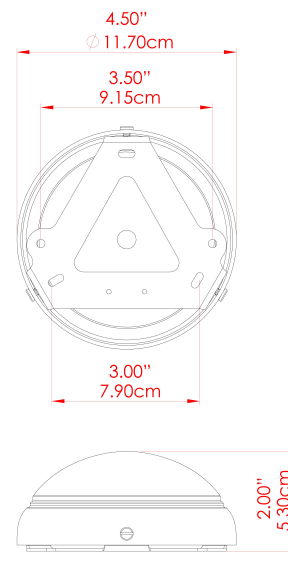
# NAKAI Ceramic Wall Light

MLCMWL039ANTSLVFR Antique Silver



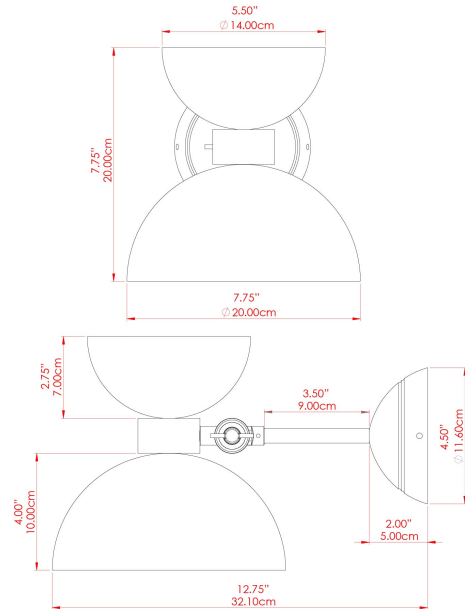
MATERIAL	Brass   Ceramic   Glass
HEIGHT	24cm
WIDTH   DIAMETER	20cm
LENGTH   PROJECTION	31-35cm
WEIGHT	2.1 kg
LAMPHOLDER	G9
MAX WATTAGE	6.5W
VOLTAGE	220/240v
IP RATING	IP20
CLASS PROTECTION	Class I
SHADE	GL192   MLCS002   MLCS072
FLEX   BAR   CHAIN LENGTH	n/a
CABLE TYPE	-

FIXING BRACKET: MLWB11



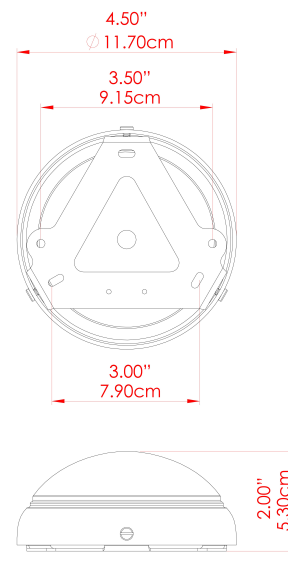
# NAKAI Ceramic Wall Light

MLCMWL039PCMBKCL Matt Black



MATERIAL	Brass   Ceramic   Glass
HEIGHT	24cm
WIDTH   DIAMETER	20cm
LENGTH   PROJECTION	31-35cm
WEIGHT	2.1 kg
LAMPHOLDER	G9
MAX WATTAGE	6.5W
VOLTAGE	220/240v
IP RATING	IP20
CLASS PROTECTION	Class I
SHADE	GL192   MLCS002   MLCS072
FLEX   BAR   CHAIN LENGTH	n/a
CABLE TYPE	-

FIXING BRACKET: MLWB11



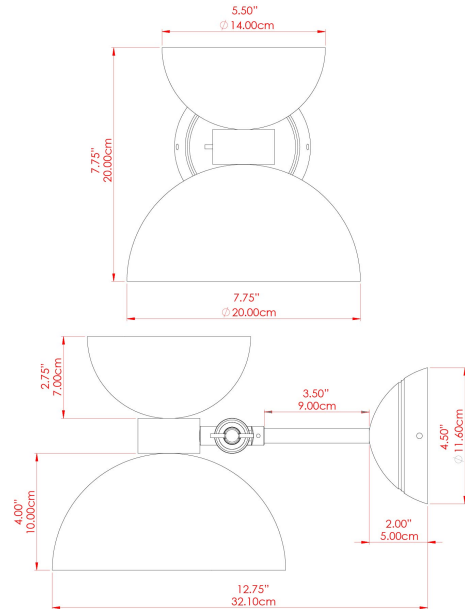
WWW.MULLANLIGHTING.COM

Product Notes:  
 1) Bulbs not included. 2) Dimensions do not include bulbs. 3) All products are individually made-to-order and therefore may differ slightly within manufacturing tolerances. 4) Cable / chain can be shortened during installation. Longer cable / chain lengths available on request. 5) Additional colour finishes may be available on request. 6) Refer to our website for a full list of terms and conditions.



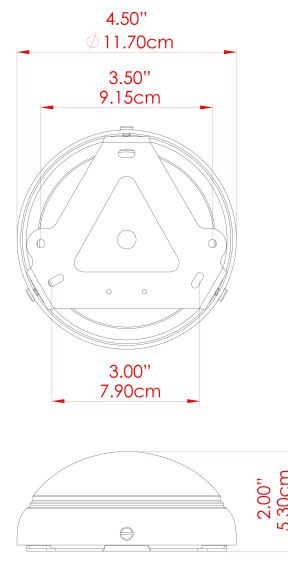
# NAKAI Ceramic Wall Light

MLCMWL039PCMBKFR Matt Black



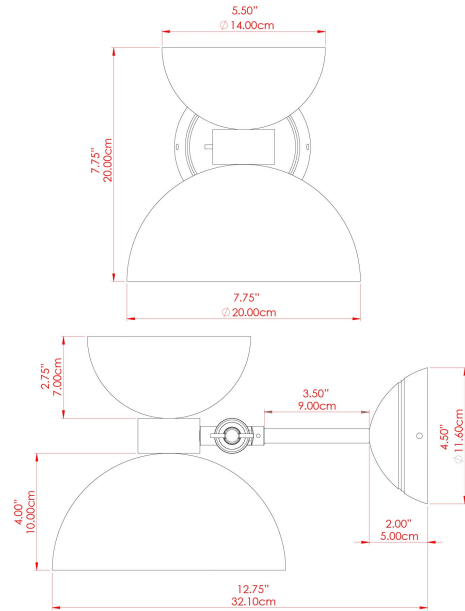
MATERIAL	Brass   Ceramic   Glass
HEIGHT	24cm
WIDTH   DIAMETER	20cm
LENGTH   PROJECTION	31-35cm
WEIGHT	2.1 kg
LAMPHOLDER	G9
MAX WATTAGE	6.5W
VOLTAGE	220/240v
IP RATING	IP20
CLASS PROTECTION	Class I
SHADE	GL192   MLCS002   MLCS072
FLEX   BAR   CHAIN LENGTH	n/a
CABLE TYPE	-

FIXING BRACKET: MLWB11



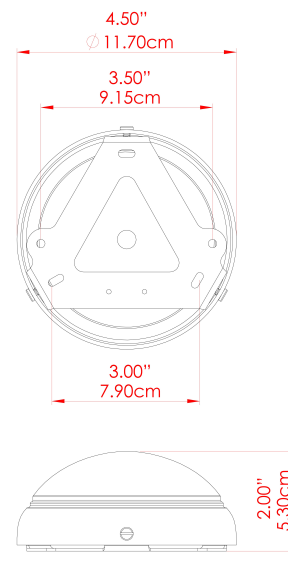
# NAKAI Ceramic Wall Light

MLCMWL039PCMBKOP Matt Black



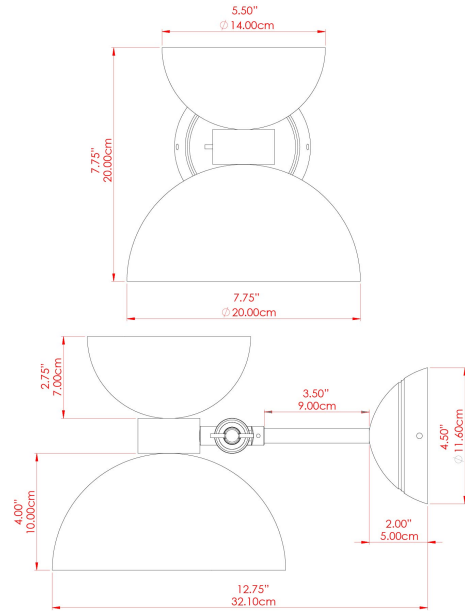
MATERIAL	Brass   Ceramic   Glass
HEIGHT	24cm
WIDTH   DIAMETER	20cm
LENGTH   PROJECTION	31-35cm
WEIGHT	2.1 kg
LAMPHOLDER	G9
MAX WATTAGE	6.5W
VOLTAGE	220/240v
IP RATING	IP20
CLASS PROTECTION	Class I
SHADE	GL192   MLCS002   MLCS072
FLEX   BAR   CHAIN LENGTH	n/a
CABLE TYPE	-

FIXING BRACKET: MLWB11



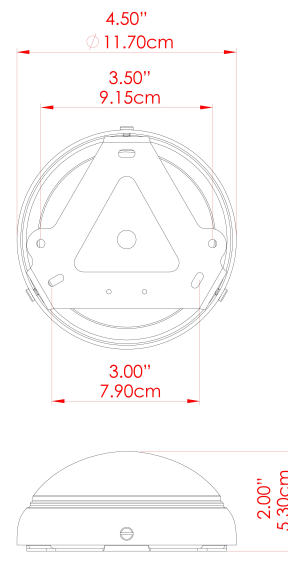
# NAKAI Ceramic Wall Light

## MLCMWL039POLBRSCS Polished Brass



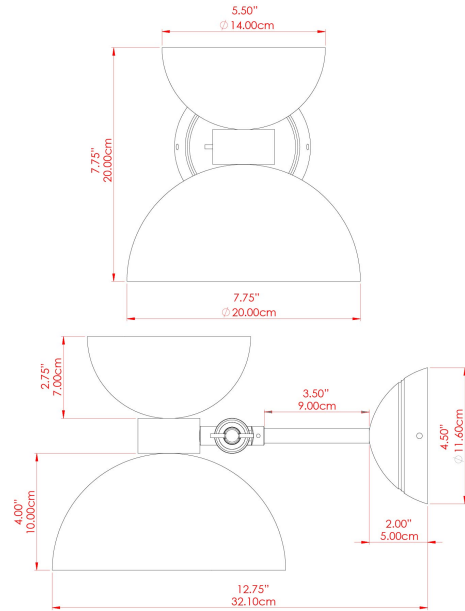
MATERIAL	Brass   Ceramic   Glass
HEIGHT	24cm
WIDTH   DIAMETER	20cm
LENGTH   PROJECTION	31-35cm
WEIGHT	2.1 kg
LAMPHOLDER	G9
MAX WATTAGE	6.5W
VOLTAGE	220/240v
IP RATING	IP20
CLASS PROTECTION	Class I
SHADE	GL192   MLCS002   MLCS072
FLEX   BAR   CHAIN LENGTH	n/a
CABLE TYPE	-

### FIXING BRACKET: MLWB11



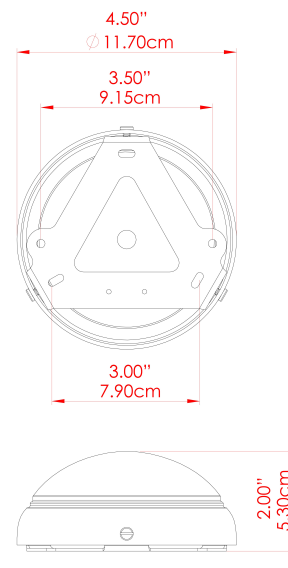
# NAKAI Ceramic Wall Light

## MLCMWL039POLBRSFR Polished Brass



MATERIAL	Brass   Ceramic   Glass
HEIGHT	24cm
WIDTH   DIAMETER	20cm
LENGTH   PROJECTION	31-35cm
WEIGHT	2.1 kg
LAMPHOLDER	G9
MAX WATTAGE	6.5W
VOLTAGE	220/240v
IP RATING	IP20
CLASS PROTECTION	Class I
SHADE	GL192   MLCS002   MLCS072
FLEX   BAR   CHAIN LENGTH	n/a
CABLE TYPE	-

### FIXING BRACKET: MLWB11



WWW.MULLANLIGHTING.COM

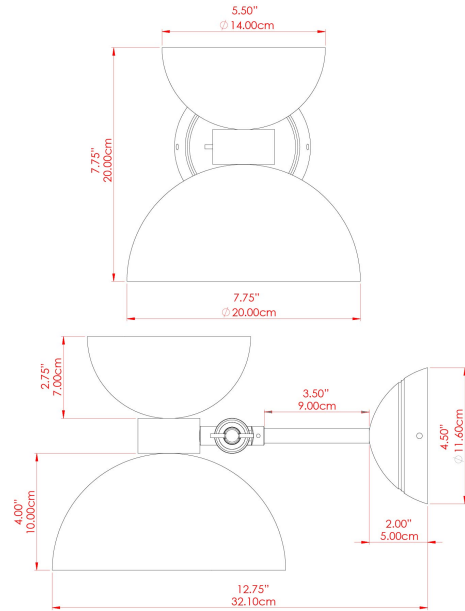
#### Product Notes:

1) Bulbs not included. 2) Dimensions do not include bulbs. 3) All products are individually made-to-order and therefore may differ slightly within manufacturing tolerances. 4) Cable / chain can be shortened during installation. Longer cable / chain lengths available on request. 5) Additional colour finishes may be available on request. 6) Refer to our website for a full list of terms and conditions.



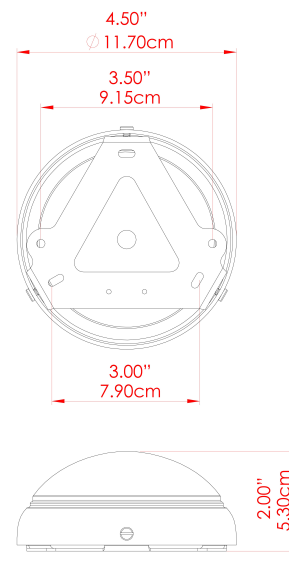
# NAKAI Ceramic Wall Light

MLCMWL039POLBRSOP Polished Brass



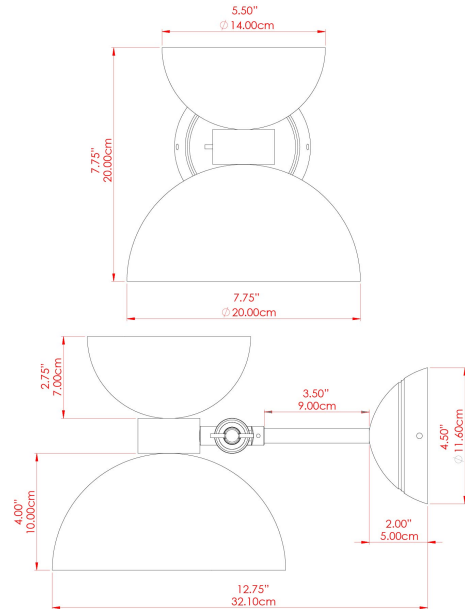
MATERIAL	Brass   Ceramic   Glass
HEIGHT	24cm
WIDTH   DIAMETER	20cm
LENGTH   PROJECTION	31-35cm
WEIGHT	2.1 kg
LAMPHOLDER	G9
MAX WATTAGE	6.5W
VOLTAGE	220/240v
IP RATING	IP20
CLASS PROTECTION	Class I
SHADE	GL192   MLCS002   MLCS072
FLEX   BAR   CHAIN LENGTH	n/a
CABLE TYPE	-

FIXING BRACKET: MLWB11



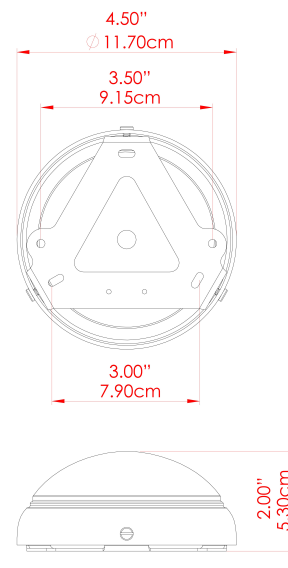
# NAKAI Ceramic Wall Light

## MLCMWL039SATBRSL Satin Brass



MATERIAL	Brass   Ceramic   Glass
HEIGHT	24cm
WIDTH   DIAMETER	20cm
LENGTH   PROJECTION	31-35cm
WEIGHT	2.1 kg
LAMPHOLDER	G9
MAX WATTAGE	6.5W
VOLTAGE	220/240v
IP RATING	IP20
CLASS PROTECTION	Class I
SHADE	GL192   MLCS002   MLCS072
FLEX   BAR   CHAIN LENGTH	n/a
CABLE TYPE	-

### FIXING BRACKET: MLWB11



WWW.MULLANLIGHTING.COM

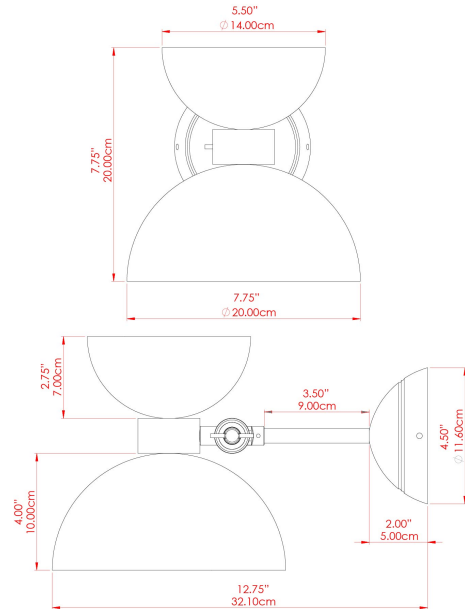
#### Product Notes:

1) Bulbs not included. 2) Dimensions do not include bulbs. 3) All products are individually made-to-order and therefore may differ slightly within manufacturing tolerances. 4) Cable / chain can be shortened during installation. Longer cable / chain lengths available on request. 5) Additional colour finishes may be available on request. 6) Refer to our website for a full list of terms and conditions.



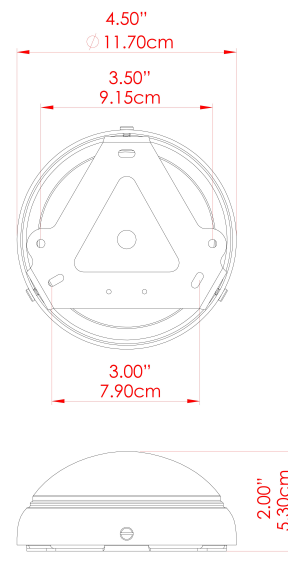
# NAKAI Ceramic Wall Light

MLCMWL039SATBRSFR Satin Brass



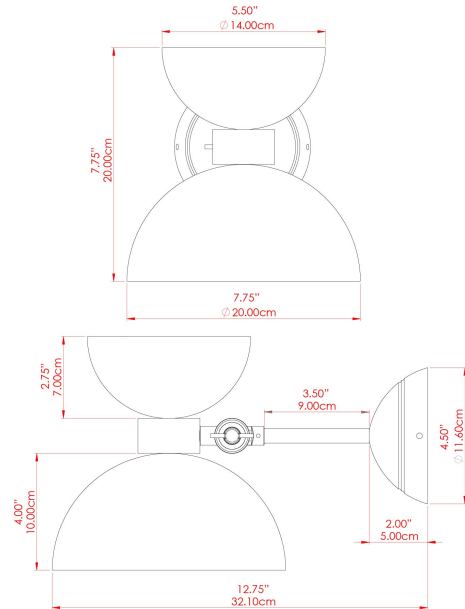
MATERIAL	Brass   Ceramic   Glass
HEIGHT	24cm
WIDTH   DIAMETER	20cm
LENGTH   PROJECTION	31-35cm
WEIGHT	2.1 kg
LAMPHOLDER	G9
MAX WATTAGE	6.5W
VOLTAGE	220/240v
IP RATING	IP20
CLASS PROTECTION	Class I
SHADE	GL192   MLCS002   MLCS072
FLEX   BAR   CHAIN LENGTH	n/a
CABLE TYPE	-

FIXING BRACKET: MLWB11



# NAKAI Ceramic Wall Light

MLCMWL039SATBR SOP Satin Brass



MATERIAL	Brass   Ceramic   Glass
HEIGHT	24cm
WIDTH   DIAMETER	20cm
LENGTH   PROJECTION	31-35cm
WEIGHT	2.1 kg
LAMPHOLDER	G9
MAX WATTAGE	6.5W
VOLTAGE	220/240v
IP RATING	IP20
CLASS PROTECTION	Class I
SHADE	GL192   MLCS002   MLCS072
FLEX   BAR   CHAIN LENGTH	n/a
CABLE TYPE	-

FIXING BRACKET: MLWB11

