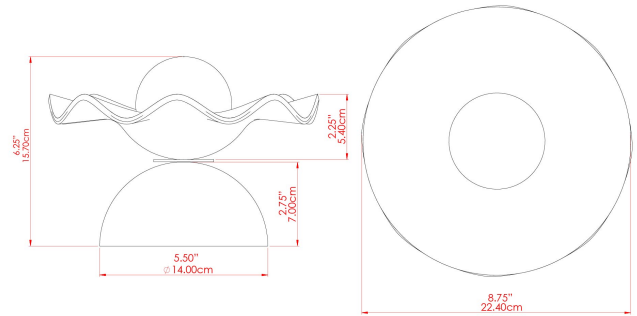


# RIVALE Ceramic Table Lamp

MLCMTL035ANTBRACL Antique Brass



MATERIAL	Brass   Ceramic
HEIGHT	13cm
WIDTH   DIAMETER	21cm
LENGTH   PROJECTION	n/a
WEIGHT	1.1 kg
LAMPHOLDER	G9
MAX WATTAGE	6.5W
VOLTAGE	220/240v
IP RATING	IP20
CLASS PROTECTION	Class II
SHADE	GL196   MLCS063
FLEX   BAR   CHAIN LENGTH	n/a
CABLE TYPE	MLCA002   Brown Fabric Braided Cable   2 Core Twisted

FIXING BRACKET: -



WWW.MULLANLIGHTING.COM

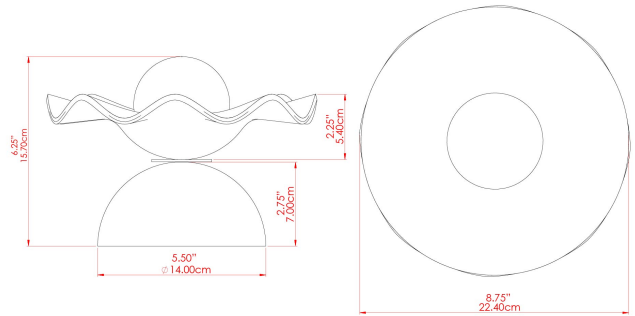
**Product Notes:**

1) Bulbs not included. 2) Dimensions do not include bulbs. 3) All products are individually made-to-order and therefore may differ slightly within manufacturing tolerances. 4) Cable / chain can be shortened during installation. Longer cable / chain lengths available on request. 5) Additional colour finishes may be available on request. 6) Refer to our website for a full list of terms and conditions.



# RIVALE Ceramic Table Lamp

MLCMTL035ANTBRSFR Antique Brass



MATERIAL	Brass   Ceramic
HEIGHT	13cm
WIDTH   DIAMETER	21cm
LENGTH   PROJECTION	n/a
WEIGHT	1.1 kg
LAMPHOLDER	G9
MAX WATTAGE	6.5W
VOLTAGE	220/240v
IP RATING	IP20
CLASS PROTECTION	Class II
SHADE	GL208   MLCS063
FLEX   BAR   CHAIN LENGTH	n/a
CABLE TYPE	MLCA002   Brown Fabric Braided Cable   2 Core Twisted

FIXING BRACKET: -



WWW.MULLANLIGHTING.COM

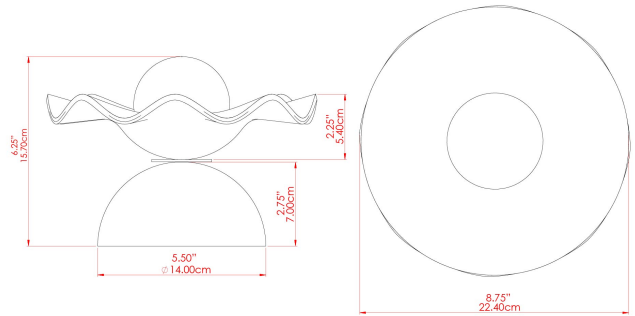
**Product Notes:**

1) Bulbs not included. 2) Dimensions do not include bulbs. 3) All products are individually made-to-order and therefore may differ slightly within manufacturing tolerances. 4) Cable / chain can be shortened during installation. Longer cable / chain lengths available on request. 5) Additional colour finishes may be available on request. 6) Refer to our website for a full list of terms and conditions.



# RIVALE Ceramic Table Lamp

MLCMTL035ANTBRSOP Antique Brass



MATERIAL	Brass   Ceramic
HEIGHT	13cm
WIDTH   DIAMETER	21cm
LENGTH   PROJECTION	n/a
WEIGHT	1.1 kg
LAMPHOLDER	G9
MAX WATTAGE	6.5W
VOLTAGE	220/240v
IP RATING	IP20
CLASS PROTECTION	Class II
SHADE	GL192   MLCS060
FLEX   BAR   CHAIN LENGTH	n/a
CABLE TYPE	MLCA002   Brown Fabric Braided Cable   2 Core Twisted

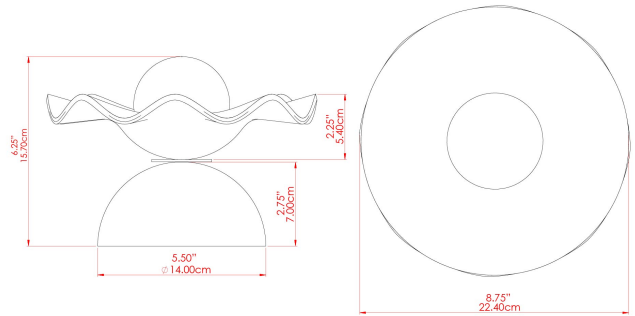
FIXING BRACKET: -

# RIVALE Ceramic Table Lamp

MLCMTL035ANTSLVCL Antique Silver



ANTIQUE SILVER



MATERIAL	Brass   Ceramic
HEIGHT	13cm
WIDTH   DIAMETER	21cm
LENGTH   PROJECTION	n/a
WEIGHT	1.1 kg
LAMPHOLDER	G9
MAX WATTAGE	6.5W
VOLTAGE	220/240v
IP RATING	IP20
CLASS PROTECTION	Class II
SHADE	GL196   MLCS063
FLEX   BAR   CHAIN LENGTH	n/a
CABLE TYPE	MLCA001   Black Fabric Braided Cable   2 Core Twisted

FIXING BRACKET: -



WWW.MULLANLIGHTING.COM

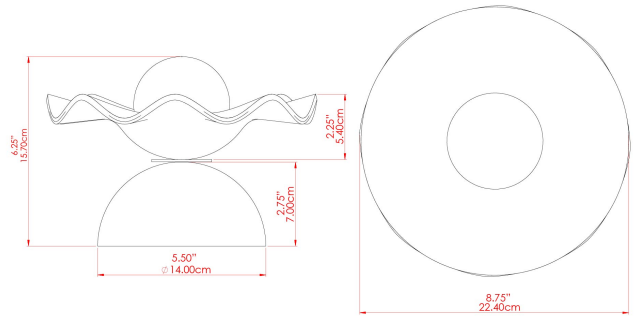
Product Notes:

1) Bulbs not included. 2) Dimensions do not include bulbs. 3) All products are individually made-to-order and therefore may differ slightly within manufacturing tolerances. 4) Cable / chain can be shortened during installation. Longer cable / chain lengths available on request. 5) Additional colour finishes may be available on request. 6) Refer to our website for a full list of terms and conditions.



# RIVALE Ceramic Table Lamp

MLCMTL035ANTSLVFR Antique Silver



MATERIAL	Brass   Ceramic
HEIGHT	13cm
WIDTH   DIAMETER	21cm
LENGTH   PROJECTION	n/a
WEIGHT	1.1 kg
LAMPHOLDER	G9
MAX WATTAGE	6.5W
VOLTAGE	220/240v
IP RATING	IP20
CLASS PROTECTION	Class II
SHADE	GL208   MLCS063
FLEX   BAR   CHAIN LENGTH	n/a
CABLE TYPE	MLCA001   Black Fabric Braided Cable   2 Core Twisted

FIXING BRACKET: -



WWW.MULLANLIGHTING.COM

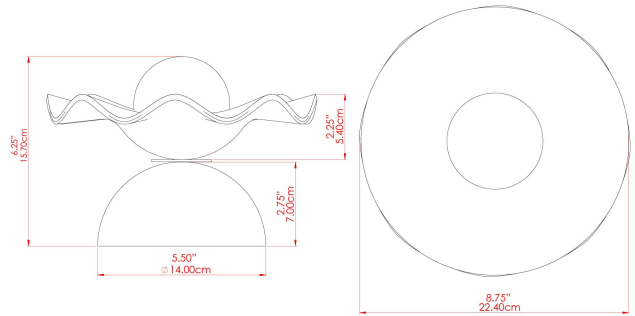
**Product Notes:**

1) Bulbs not included. 2) Dimensions do not include bulbs. 3) All products are individually made-to-order and therefore may differ slightly within manufacturing tolerances. 4) Cable / chain can be shortened during installation. Longer cable / chain lengths available on request. 5) Additional colour finishes may be available on request. 6) Refer to our website for a full list of terms and conditions.



# RIVALE Ceramic Table Lamp

MLCMTL035ANTSLVOP Antique Silver



MATERIAL	Brass   Ceramic
HEIGHT	13cm
WIDTH   DIAMETER	21cm
LENGTH   PROJECTION	n/a
WEIGHT	1.1 kg
LAMPHOLDER	G9
MAX WATTAGE	6.5W
VOLTAGE	220/240v
IP RATING	IP20
CLASS PROTECTION	Class II
SHADE	GL192   MLCS060
FLEX   BAR   CHAIN LENGTH	n/a
CABLE TYPE	MLCA001   Black Fabric Braided Cable   2 Core Twisted

FIXING BRACKET: -



WWW.MULLANLIGHTING.COM

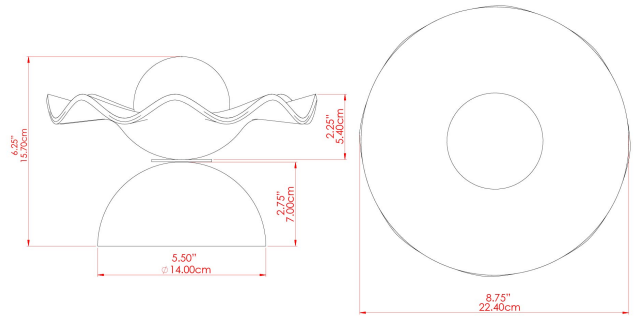
**Product Notes:**

1) Bulbs not included. 2) Dimensions do not include bulbs. 3) All products are individually made-to-order and therefore may differ slightly within manufacturing tolerances. 4) Cable / chain can be shortened during installation. Longer cable / chain lengths available on request. 5) Additional colour finishes may be available on request. 6) Refer to our website for a full list of terms and conditions.



# RIVALE Ceramic Table Lamp

MLCMTL035PCMBKCL Matt Black



MATERIAL	Brass   Ceramic
HEIGHT	13cm
WIDTH   DIAMETER	21cm
LENGTH   PROJECTION	n/a
WEIGHT	1.1 kg
LAMPHOLDER	G9
MAX WATTAGE	6.5W
VOLTAGE	220/240v
IP RATING	IP20
CLASS PROTECTION	Class II
SHADE	GL196   MLCS063
FLEX   BAR   CHAIN LENGTH	n/a
CABLE TYPE	MLCA001   Black Fabric Braided Cable   2 Core Twisted

FIXING BRACKET: -



WWW.MULLANLIGHTING.COM

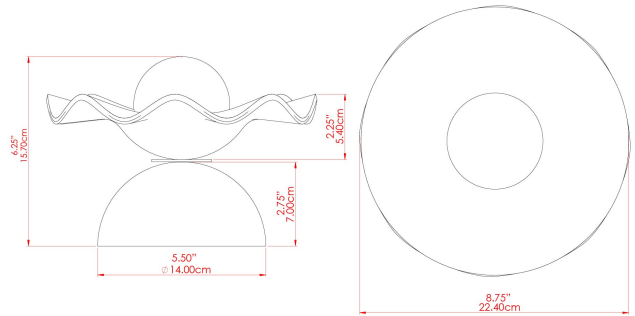
**Product Notes:**

1) Bulbs not included. 2) Dimensions do not include bulbs. 3) All products are individually made-to-order and therefore may differ slightly within manufacturing tolerances. 4) Cable / chain can be shortened during installation. Longer cable / chain lengths available on request. 5) Additional colour finishes may be available on request. 6) Refer to our website for a full list of terms and conditions.



# RIVALE Ceramic Table Lamp

MLCMTL035PCMBKFR Matt Black



MATERIAL	Brass   Ceramic
HEIGHT	13cm
WIDTH   DIAMETER	21cm
LENGTH   PROJECTION	n/a
WEIGHT	1.1 kg
LAMPHOLDER	G9
MAX WATTAGE	6.5W
VOLTAGE	220/240v
IP RATING	IP20
CLASS PROTECTION	Class II
SHADE	GL208   MLCS063
FLEX   BAR   CHAIN LENGTH	n/a
CABLE TYPE	MLCA001   Black Fabric Braided Cable   2 Core Twisted

FIXING BRACKET: -



WWW.MULLANLIGHTING.COM

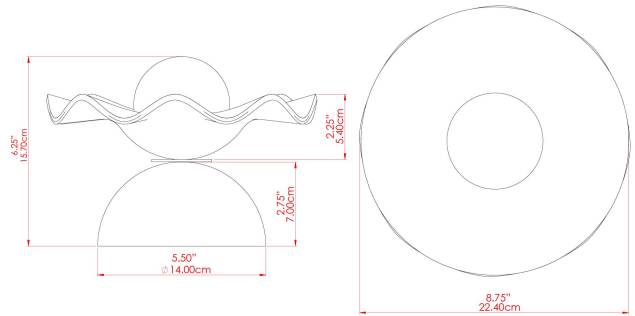
**Product Notes:**

1) Bulbs not included. 2) Dimensions do not include bulbs. 3) All products are individually made-to-order and therefore may differ slightly within manufacturing tolerances. 4) Cable / chain can be shortened during installation. Longer cable / chain lengths available on request. 5) Additional colour finishes may be available on request. 6) Refer to our website for a full list of terms and conditions.



# RIVALE Ceramic Table Lamp

MLCMTL035PCMBKOP Matt Black



MATERIAL	Brass   Ceramic
HEIGHT	13cm
WIDTH   DIAMETER	21cm
LENGTH   PROJECTION	n/a
WEIGHT	1.1 kg
LAMPHOLDER	G9
MAX WATTAGE	6.5W
VOLTAGE	220/240v
IP RATING	IP20
CLASS PROTECTION	Class II
SHADE	GL192   MLCS060
FLEX   BAR   CHAIN LENGTH	n/a
CABLE TYPE	MLCA001   Black Fabric Braided Cable   2 Core Twisted

FIXING BRACKET: -



WWW.MULLANLIGHTING.COM

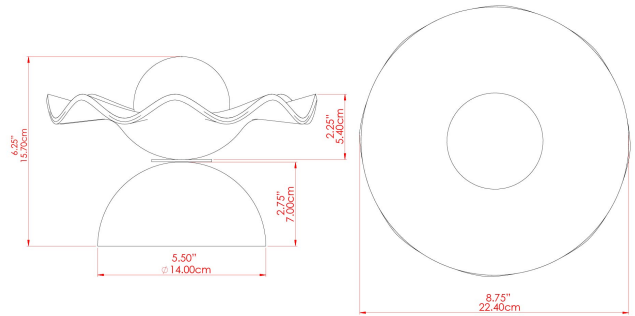
**Product Notes:**

1) Bulbs not included. 2) Dimensions do not include bulbs. 3) All products are individually made-to-order and therefore may differ slightly within manufacturing tolerances. 4) Cable / chain can be shortened during installation. Longer cable / chain lengths available on request. 5) Additional colour finishes may be available on request. 6) Refer to our website for a full list of terms and conditions.



# RIVALE Ceramic Table Lamp

MLCMTL035POLBRSC L Polished Brass



MATERIAL	Brass   Ceramic
HEIGHT	13cm
WIDTH   DIAMETER	21cm
LENGTH   PROJECTION	n/a
WEIGHT	1.1 kg
LAMPHOLDER	G9
MAX WATTAGE	6.5W
VOLTAGE	220/240v
IP RATING	IP20
CLASS PROTECTION	Class II
SHADE	GL196   MLCS063
FLEX   BAR   CHAIN LENGTH	n/a
CABLE TYPE	MLCA001   Black Fabric Braided Cable   2 Core Twisted

FIXING BRACKET: -

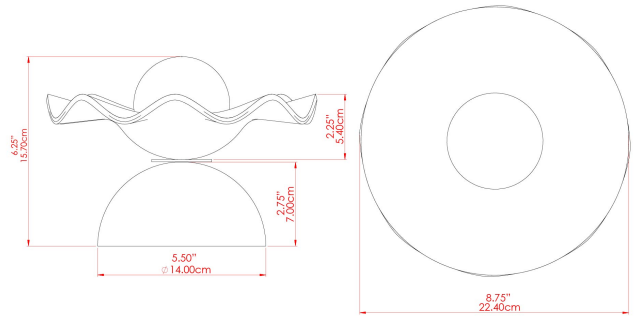


Product Notes:  
 1) Bulbs not included. 2) Dimensions do not include bulbs. 3) All products are individually made-to-order and therefore may differ slightly within manufacturing tolerances. 4) Cable / chain can be shortened during installation. Longer cable / chain lengths available on request. 5) Additional colour finishes may be available on request. 6) Refer to our website for a full list of terms and conditions.



# RIVALE Ceramic Table Lamp

MLCMTL035POLBRSFR Polished Brass



MATERIAL	Brass   Ceramic
HEIGHT	13cm
WIDTH   DIAMETER	21cm
LENGTH   PROJECTION	n/a
WEIGHT	1.1 kg
LAMPHOLDER	G9
MAX WATTAGE	6.5W
VOLTAGE	220/240v
IP RATING	IP20
CLASS PROTECTION	Class II
SHADE	GL208   MLCS063
FLEX   BAR   CHAIN LENGTH	n/a
CABLE TYPE	MLCA001   Black Fabric Braided Cable   2 Core Twisted

FIXING BRACKET: -

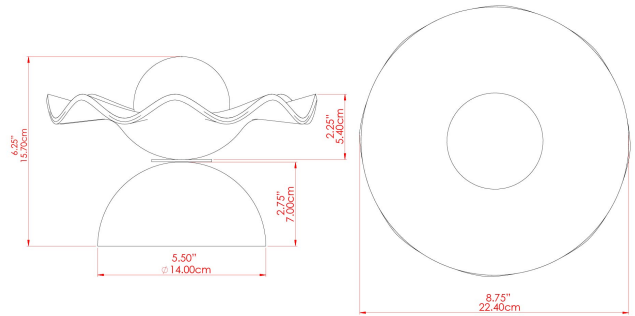


WWW.MULLANLIGHTING.COM

**Product Notes:**

1) Bulbs not included. 2) Dimensions do not include bulbs. 3) All products are individually made-to-order and therefore may differ slightly within manufacturing tolerances. 4) Cable / chain can be shortened during installation. Longer cable / chain lengths available on request. 5) Additional colour finishes may be available on request. 6) Refer to our website for a full list of terms and conditions.



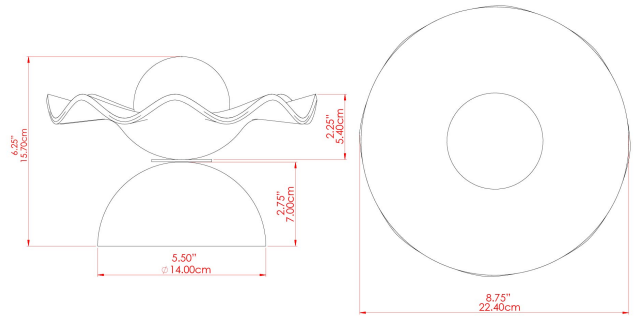


MATERIAL	Brass   Ceramic
HEIGHT	13cm
WIDTH   DIAMETER	21cm
LENGTH   PROJECTION	n/a
WEIGHT	1.1 kg
LAMPHOLDER	G9
MAX WATTAGE	6.5W
VOLTAGE	220/240v
IP RATING	IP20
CLASS PROTECTION	Class II
SHADE	GL192   MLCS060
FLEX   BAR   CHAIN LENGTH	n/a
CABLE TYPE	MLCA001   Black Fabric Braided Cable   2 Core Twisted

FIXING BRACKET: -

# RIVALE Ceramic Table Lamp

MLCMTL035SATBRSL Satin Brass

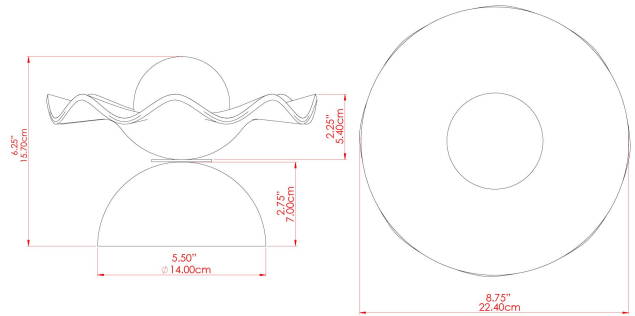


MATERIAL	Brass   Ceramic
HEIGHT	13cm
WIDTH   DIAMETER	21cm
LENGTH   PROJECTION	n/a
WEIGHT	1.1 kg
LAMPHOLDER	G9
MAX WATTAGE	6.5W
VOLTAGE	220/240v
IP RATING	IP20
CLASS PROTECTION	Class II
SHADE	GL196   MLCS063
FLEX   BAR   CHAIN LENGTH	n/a
CABLE TYPE	MLCA001   Black Fabric Braided Cable   2 Core Twisted

FIXING BRACKET: -

# RIVALE Ceramic Table Lamp

MLCMTL035SATBRSFR Satin Brass



MATERIAL	Brass   Ceramic
HEIGHT	13cm
WIDTH   DIAMETER	21cm
LENGTH   PROJECTION	n/a
WEIGHT	1.1 kg
LAMPHOLDER	G9
MAX WATTAGE	6.5W
VOLTAGE	220/240v
IP RATING	IP20
CLASS PROTECTION	Class II
SHADE	GL208   MLCS063
FLEX   BAR   CHAIN LENGTH	n/a
CABLE TYPE	MLCA001   Black Fabric Braided Cable   2 Core Twisted

FIXING BRACKET: -



WWW.MULLANLIGHTING.COM

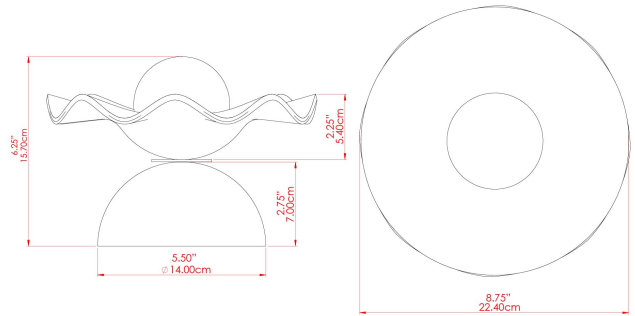
**Product Notes:**

1) Bulbs not included. 2) Dimensions do not include bulbs. 3) All products are individually made-to-order and therefore may differ slightly within manufacturing tolerances. 4) Cable / chain can be shortened during installation. Longer cable / chain lengths available on request. 5) Additional colour finishes may be available on request. 6) Refer to our website for a full list of terms and conditions.



# RIVALE Ceramic Table Lamp

MLCMTL035SATBRSOP Satin Brass



MATERIAL	Brass   Ceramic
HEIGHT	13cm
WIDTH   DIAMETER	21cm
LENGTH   PROJECTION	n/a
WEIGHT	1.1 kg
LAMPHOLDER	G9
MAX WATTAGE	6.5W
VOLTAGE	220/240v
IP RATING	IP20
CLASS PROTECTION	Class II
SHADE	GL192   MLCS063
FLEX   BAR   CHAIN LENGTH	n/a
CABLE TYPE	MLCA001   Black Fabric Braided Cable   2 Core Twisted

FIXING BRACKET: -



Product Notes:  
 1) Bulbs not included. 2) Dimensions do not include bulbs. 3) All products are individually made-to-order and therefore may differ slightly within manufacturing tolerances. 4) Cable / chain can be shortened during installation. Longer cable / chain lengths available on request. 5) Additional colour finishes may be available on request. 6) Refer to our website for a full list of terms and conditions.

