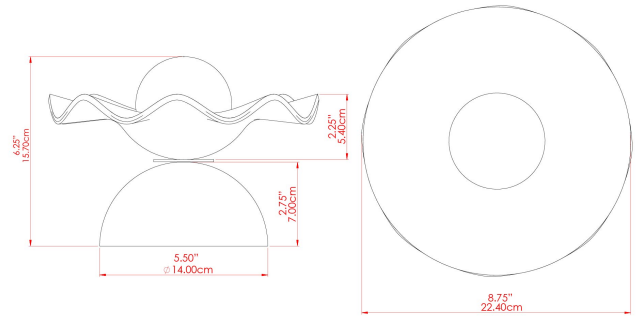


RIVALE Ceramic Table Lamp

MLCMTL034ANTBRACL Antique Brass



MATERIAL	Brass Ceramic
HEIGHT	13cm
WIDTH DIAMETER	21cm
LENGTH PROJECTION	n/a
WEIGHT	1.1 kg
LAMPHOLDER	G9
MAX WATTAGE	6.5W
VOLTAGE	220/240v
IP RATING	IP20
CLASS PROTECTION	Class II
SHADE	GL196 MLCS062
FLEX BAR CHAIN LENGTH	n/a
CABLE TYPE	MLCA002 Brown Fabric Braided Cable 2 Core Twisted

FIXING BRACKET: -

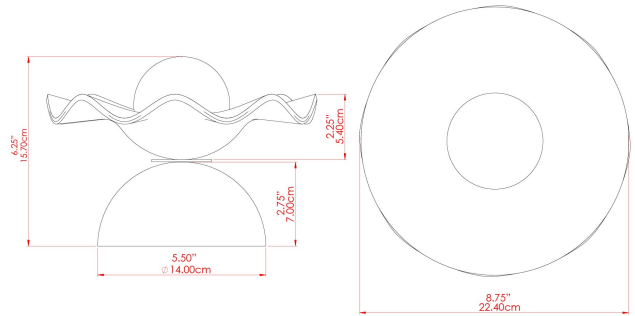


Product Notes:
 1) Bulbs not included. 2) Dimensions do not include bulbs. 3) All products are individually made-to-order and therefore may differ slightly within manufacturing tolerances. 4) Cable / chain can be shortened during installation. Longer cable / chain lengths available on request. 5) Additional colour finishes may be available on request. 6) Refer to our website for a full list of terms and conditions.



RIVALE Ceramic Table Lamp

MLCMTL034ANTBRSFR Antique Brass



MATERIAL	Brass Ceramic
HEIGHT	13cm
WIDTH DIAMETER	21cm
LENGTH PROJECTION	n/a
WEIGHT	1.1 kg
LAMPHOLDER	G9
MAX WATTAGE	6.5W
VOLTAGE	220/240v
IP RATING	IP20
CLASS PROTECTION	Class II
SHADE	GL208 MLCS062
FLEX BAR CHAIN LENGTH	n/a
CABLE TYPE	MLCA002 Brown Fabric Braided Cable 2 Core Twisted

FIXING BRACKET: -



WWW.MULLANLIGHTING.COM

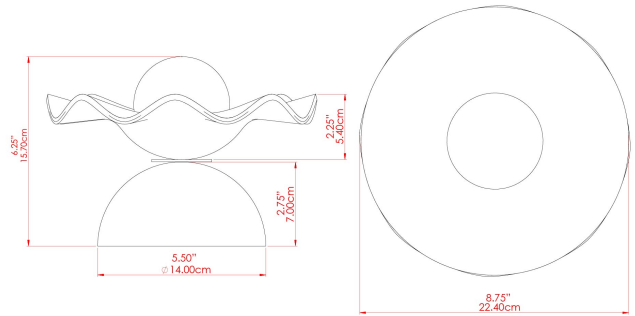
Product Notes:

1) Bulbs not included. 2) Dimensions do not include bulbs. 3) All products are individually made-to-order and therefore may differ slightly within manufacturing tolerances. 4) Cable / chain can be shortened during installation. Longer cable / chain lengths available on request. 5) Additional colour finishes may be available on request. 6) Refer to our website for a full list of terms and conditions.



RIVALE Ceramic Table Lamp

MLCMTL034ANTBRSOP Antique Brass



MATERIAL	Brass Ceramic
HEIGHT	13cm
WIDTH DIAMETER	21cm
LENGTH PROJECTION	n/a
WEIGHT	1.1 kg
LAMPHOLDER	G9
MAX WATTAGE	6.5W
VOLTAGE	220/240v
IP RATING	IP20
CLASS PROTECTION	Class II
SHADE	GL192 MLCS062
FLEX BAR CHAIN LENGTH	n/a
CABLE TYPE	MLCA002 Brown Fabric Braided Cable 2 Core Twisted

FIXING BRACKET: -



WWW.MULLANLIGHTING.COM

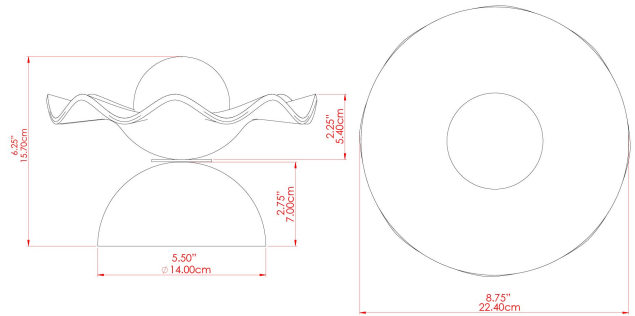
Product Notes:

1) Bulbs not included. 2) Dimensions do not include bulbs. 3) All products are individually made-to-order and therefore may differ slightly within manufacturing tolerances. 4) Cable / chain can be shortened during installation. Longer cable / chain lengths available on request. 5) Additional colour finishes may be available on request. 6) Refer to our website for a full list of terms and conditions.



RIVALE Ceramic Table Lamp

MLCMTL034ANTSLVCL Antique Silver



MATERIAL	Brass Ceramic
HEIGHT	13cm
WIDTH DIAMETER	21cm
LENGTH PROJECTION	n/a
WEIGHT	1.1 kg
LAMPHOLDER	G9
MAX WATTAGE	6.5W
VOLTAGE	220/240v
IP RATING	IP20
CLASS PROTECTION	Class II
SHADE	GL196 MLCS062
FLEX BAR CHAIN LENGTH	n/a
CABLE TYPE	MLCA001 Black Fabric Braided Cable 2 Core Twisted

FIXING BRACKET: -



WWW.MULLANLIGHTING.COM

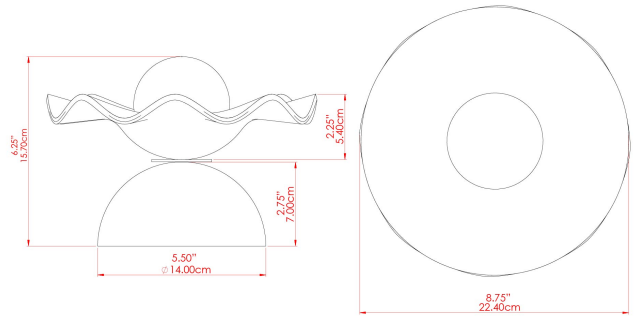
Product Notes:

1) Bulbs not included. 2) Dimensions do not include bulbs. 3) All products are individually made-to-order and therefore may differ slightly within manufacturing tolerances. 4) Cable / chain can be shortened during installation. Longer cable / chain lengths available on request. 5) Additional colour finishes may be available on request. 6) Refer to our website for a full list of terms and conditions.



RIVALE Ceramic Table Lamp

MLCMTL034ANTSLVFR Antique Silver



MATERIAL	Brass Ceramic
HEIGHT	13cm
WIDTH DIAMETER	21cm
LENGTH PROJECTION	n/a
WEIGHT	1.1 kg
LAMPHOLDER	G9
MAX WATTAGE	6.5W
VOLTAGE	220/240v
IP RATING	IP20
CLASS PROTECTION	Class II
SHADE	GL208 MLCS062
FLEX BAR CHAIN LENGTH	n/a
CABLE TYPE	MLCA001 Black Fabric Braided Cable 2 Core Twisted

FIXING BRACKET: -



WWW.MULLANLIGHTING.COM

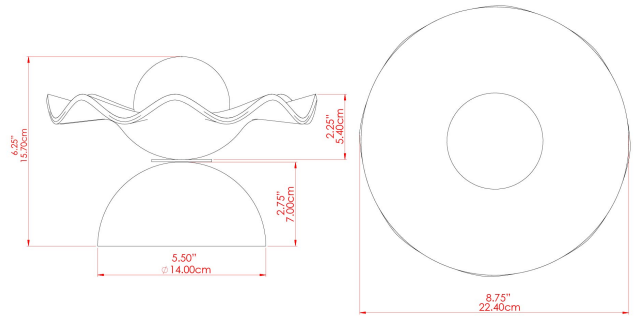
Product Notes:

1) Bulbs not included. 2) Dimensions do not include bulbs. 3) All products are individually made-to-order and therefore may differ slightly within manufacturing tolerances. 4) Cable / chain can be shortened during installation. Longer cable / chain lengths available on request. 5) Additional colour finishes may be available on request. 6) Refer to our website for a full list of terms and conditions.



RIVALE Ceramic Table Lamp

MLCMTL034ANTSLVOP Antique Silver



MATERIAL	Brass Ceramic
HEIGHT	13cm
WIDTH DIAMETER	21cm
LENGTH PROJECTION	n/a
WEIGHT	1.1 kg
LAMPHOLDER	G9
MAX WATTAGE	6.5W
VOLTAGE	220/240v
IP RATING	IP20
CLASS PROTECTION	Class II
SHADE	GL192 MLCS062
FLEX BAR CHAIN LENGTH	n/a
CABLE TYPE	MLCA001 Black Fabric Braided Cable 2 Core Twisted

FIXING BRACKET: -



WWW.MULLANLIGHTING.COM

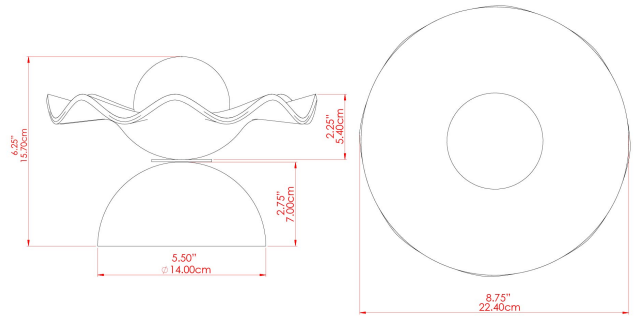
Product Notes:

1) Bulbs not included. 2) Dimensions do not include bulbs. 3) All products are individually made-to-order and therefore may differ slightly within manufacturing tolerances. 4) Cable / chain can be shortened during installation. Longer cable / chain lengths available on request. 5) Additional colour finishes may be available on request. 6) Refer to our website for a full list of terms and conditions.



RIVALE Ceramic Table Lamp

MLCMTL034PCMBKCL Matt Black



MATERIAL	Brass Ceramic
HEIGHT	13cm
WIDTH DIAMETER	21cm
LENGTH PROJECTION	n/a
WEIGHT	1.1 kg
LAMPHOLDER	G9
MAX WATTAGE	6.5W
VOLTAGE	220/240v
IP RATING	IP20
CLASS PROTECTION	Class II
SHADE	GL208 MLCS062
FLEX BAR CHAIN LENGTH	n/a
CABLE TYPE	MLCA001 Black Fabric Braided Cable 2 Core Twisted

FIXING BRACKET: -



WWW.MULLANLIGHTING.COM

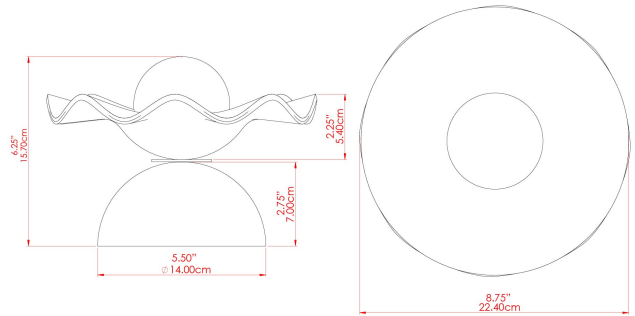
Product Notes:

1) Bulbs not included. 2) Dimensions do not include bulbs. 3) All products are individually made-to-order and therefore may differ slightly within manufacturing tolerances. 4) Cable / chain can be shortened during installation. Longer cable / chain lengths available on request. 5) Additional colour finishes may be available on request. 6) Refer to our website for a full list of terms and conditions.



RIVALE Ceramic Table Lamp

MLCMTL034PCMBKFR Matt Black



MATERIAL	Brass Ceramic
HEIGHT	13cm
WIDTH DIAMETER	21cm
LENGTH PROJECTION	n/a
WEIGHT	1.1 kg
LAMPHOLDER	G9
MAX WATTAGE	6.5W
VOLTAGE	220/240v
IP RATING	IP20
CLASS PROTECTION	Class II
SHADE	GL208 MLCS062
FLEX BAR CHAIN LENGTH	n/a
CABLE TYPE	MLCA001 Black Fabric Braided Cable 2 Core Twisted

FIXING BRACKET: -



WWW.MULLANLIGHTING.COM

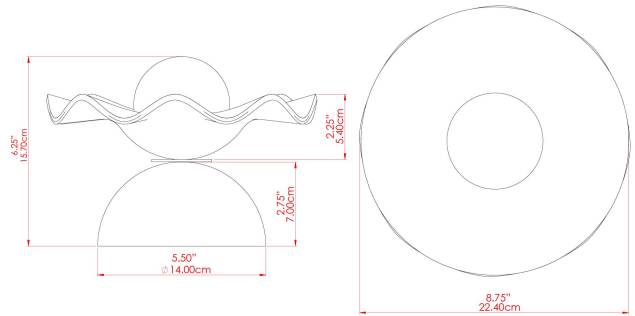
Product Notes:

1) Bulbs not included. 2) Dimensions do not include bulbs. 3) All products are individually made-to-order and therefore may differ slightly within manufacturing tolerances. 4) Cable / chain can be shortened during installation. Longer cable / chain lengths available on request. 5) Additional colour finishes may be available on request. 6) Refer to our website for a full list of terms and conditions.



RIVALE Ceramic Table Lamp

MLCMTL034PCMBKOP Matt Black



MATERIAL	Brass Ceramic
HEIGHT	13cm
WIDTH DIAMETER	21cm
LENGTH PROJECTION	n/a
WEIGHT	1.1 kg
LAMPHOLDER	G9
MAX WATTAGE	6.5W
VOLTAGE	220/240v
IP RATING	IP20
CLASS PROTECTION	Class II
SHADE	GL192 MLCS062
FLEX BAR CHAIN LENGTH	n/a
CABLE TYPE	MLCA001 Black Fabric Braided Cable 2 Core Twisted

FIXING BRACKET: -



WWW.MULLANLIGHTING.COM

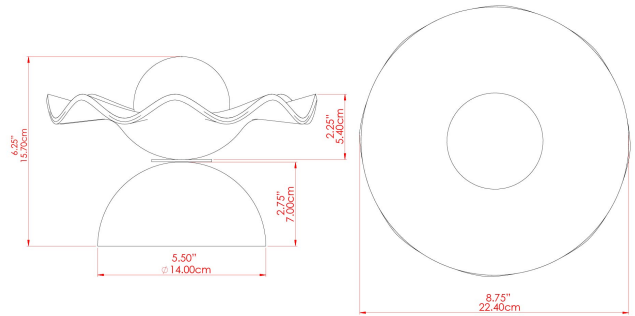
Product Notes:

1) Bulbs not included. 2) Dimensions do not include bulbs. 3) All products are individually made-to-order and therefore may differ slightly within manufacturing tolerances. 4) Cable / chain can be shortened during installation. Longer cable / chain lengths available on request. 5) Additional colour finishes may be available on request. 6) Refer to our website for a full list of terms and conditions.



RIVALE Ceramic Table Lamp

MLCMTL034POLBRSCl Polished Brass



MATERIAL	Brass Ceramic
HEIGHT	13cm
WIDTH DIAMETER	21cm
LENGTH PROJECTION	n/a
WEIGHT	1.1 kg
LAMPHOLDER	G9
MAX WATTAGE	6.5W
VOLTAGE	220/240v
IP RATING	IP20
CLASS PROTECTION	Class II
SHADE	GL196 MLCS062
FLEX BAR CHAIN LENGTH	n/a
CABLE TYPE	MLCA001 Black Fabric Braided Cable 2 Core Twisted

FIXING BRACKET: -



WWW.MULLANLIGHTING.COM

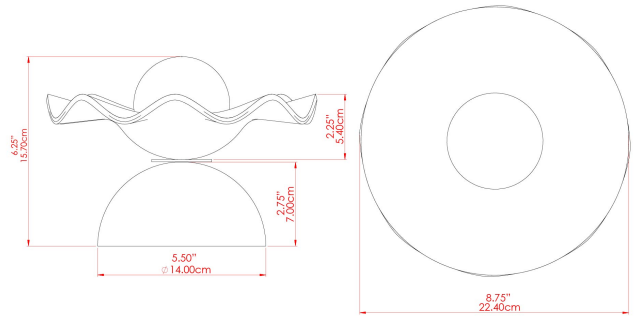
Product Notes:

1) Bulbs not included. 2) Dimensions do not include bulbs. 3) All products are individually made-to-order and therefore may differ slightly within manufacturing tolerances. 4) Cable / chain can be shortened during installation. Longer cable / chain lengths available on request. 5) Additional colour finishes may be available on request. 6) Refer to our website for a full list of terms and conditions.



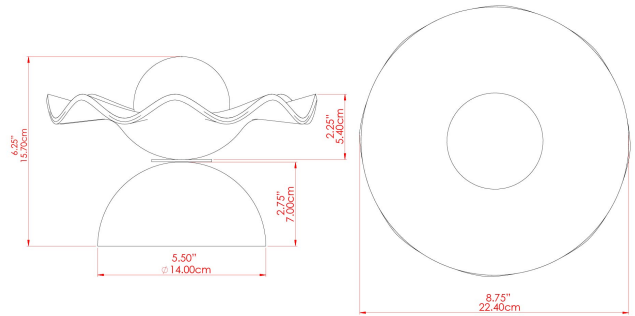
RIVALE Ceramic Table Lamp

MLCMTL034POLBRSFR Polished Brass



MATERIAL	Brass Ceramic
HEIGHT	13cm
WIDTH DIAMETER	21cm
LENGTH PROJECTION	n/a
WEIGHT	1.1 kg
LAMPHOLDER	G9
MAX WATTAGE	6.5W
VOLTAGE	220/240v
IP RATING	IP20
CLASS PROTECTION	Class II
SHADE	GL208 MLCS062
FLEX BAR CHAIN LENGTH	n/a
CABLE TYPE	MLCA001 Black Fabric Braided Cable 2 Core Twisted

FIXING BRACKET: -

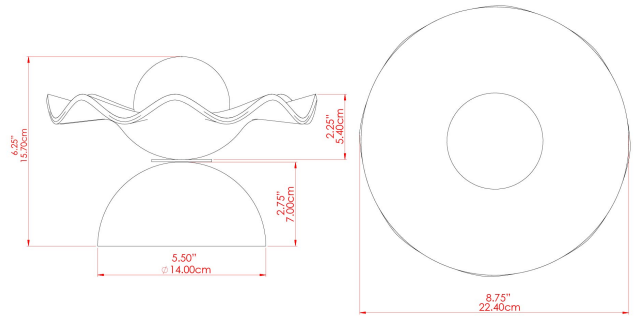


MATERIAL	Brass Ceramic
HEIGHT	13cm
WIDTH DIAMETER	21cm
LENGTH PROJECTION	n/a
WEIGHT	1.1 kg
LAMPHOLDER	G9
MAX WATTAGE	6.5W
VOLTAGE	220/240v
IP RATING	IP20
CLASS PROTECTION	Class II
SHADE	GL192 MLCS060
FLEX BAR CHAIN LENGTH	n/a
CABLE TYPE	MLCA001 Black Fabric Braided Cable 2 Core Twisted

FIXING BRACKET: -

RIVALE Ceramic Table Lamp

MLCMTL034SATBRSL Satin Brass



MATERIAL	Brass Ceramic
HEIGHT	13cm
WIDTH DIAMETER	21cm
LENGTH PROJECTION	n/a
WEIGHT	1.1 kg
LAMPHOLDER	G9
MAX WATTAGE	6.5W
VOLTAGE	220/240v
IP RATING	IP20
CLASS PROTECTION	Class II
SHADE	GL196 MLCS062
FLEX BAR CHAIN LENGTH	n/a
CABLE TYPE	MLCA001 Black Fabric Braided Cable 2 Core Twisted

FIXING BRACKET: -

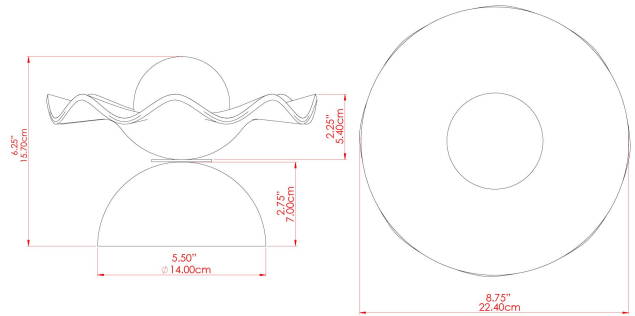


Product Notes:
 1) Bulbs not included. 2) Dimensions do not include bulbs. 3) All products are individually made-to-order and therefore may differ slightly within manufacturing tolerances. 4) Cable / chain can be shortened during installation. Longer cable / chain lengths available on request. 5) Additional colour finishes may be available on request. 6) Refer to our website for a full list of terms and conditions.



RIVALE Ceramic Table Lamp

MLCMTL034SATBRSFR Satin Brass



MATERIAL	Brass Ceramic
HEIGHT	13cm
WIDTH DIAMETER	21cm
LENGTH PROJECTION	n/a
WEIGHT	1.1 kg
LAMPHOLDER	G9
MAX WATTAGE	6.5W
VOLTAGE	220/240v
IP RATING	IP20
CLASS PROTECTION	Class II
SHADE	GL208 MLCS062
FLEX BAR CHAIN LENGTH	n/a
CABLE TYPE	MLCA001 Black Fabric Braided Cable 2 Core Twisted

FIXING BRACKET: -

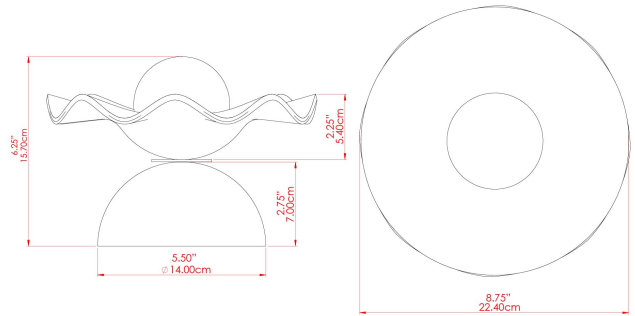


Product Notes:
 1) Bulbs not included. 2) Dimensions do not include bulbs. 3) All products are individually made-to-order and therefore may differ slightly within manufacturing tolerances. 4) Cable / chain can be shortened during installation. Longer cable / chain lengths available on request. 5) Additional colour finishes may be available on request. 6) Refer to our website for a full list of terms and conditions.



RIVALE Ceramic Table Lamp

MLCMTL034SATBRSOP Satin Brass



MATERIAL	Brass Ceramic
HEIGHT	13cm
WIDTH DIAMETER	21cm
LENGTH PROJECTION	n/a
WEIGHT	1.1 kg
LAMPHOLDER	G9
MAX WATTAGE	6.5W
VOLTAGE	220/240v
IP RATING	IP20
CLASS PROTECTION	Class II
SHADE	GL192 MLCS060
FLEX BAR CHAIN LENGTH	n/a
CABLE TYPE	MLCA001 Black Fabric Braided Cable 2 Core Twisted

FIXING BRACKET: -



Product Notes:
 1) Bulbs not included. 2) Dimensions do not include bulbs. 3) All products are individually made-to-order and therefore may differ slightly within manufacturing tolerances. 4) Cable / chain can be shortened during installation. Longer cable / chain lengths available on request. 5) Additional colour finishes may be available on request. 6) Refer to our website for a full list of terms and conditions.

