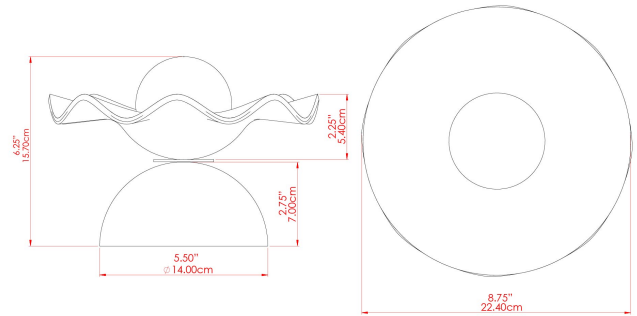


RIVALE Ceramic Table Lamp

MLCMTL032ANTBRACL Antique Brass



| | |
|---------------------------|---|
| MATERIAL | Brass Ceramic |
| HEIGHT | 13cm |
| WIDTH DIAMETER | 21cm |
| LENGTH PROJECTION | n/a |
| WEIGHT | 1.1 kg |
| LAMPHOLDER | G9 |
| MAX WATTAGE | 6.5W |
| VOLTAGE | 220/240v |
| IP RATING | IP20 |
| CLASS PROTECTION | Class II |
| SHADE | GL196 MLCS063 |
| FLEX BAR CHAIN LENGTH | n/a |
| CABLE TYPE | MLCA002 Brown Fabric Braided Cable 2 Core Twisted |

FIXING BRACKET: -

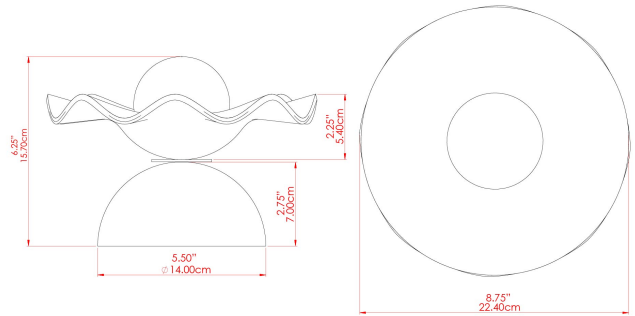


Product Notes:
 1) Bulbs not included. 2) Dimensions do not include bulbs. 3) All products are individually made-to-order and therefore may differ slightly within manufacturing tolerances. 4) Cable / chain can be shortened during installation. Longer cable / chain lengths available on request. 5) Additional colour finishes may be available on request. 6) Refer to our website for a full list of terms and conditions.



RIVALE Ceramic Table Lamp

MLCMTL032ANTBRSFR Antique Brass



| | |
|---------------------------|---|
| MATERIAL | Brass Ceramic |
| HEIGHT | 13cm |
| WIDTH DIAMETER | 21cm |
| LENGTH PROJECTION | n/a |
| WEIGHT | 1.1 kg |
| LAMPHOLDER | G9 |
| MAX WATTAGE | 6.5W |
| VOLTAGE | 220/240v |
| IP RATING | IP20 |
| CLASS PROTECTION | Class II |
| SHADE | GL208 MLCS063 |
| FLEX BAR CHAIN LENGTH | n/a |
| CABLE TYPE | MLCA002 Brown Fabric Braided Cable 2 Core Twisted |

FIXING BRACKET: -



WWW.MULLANLIGHTING.COM

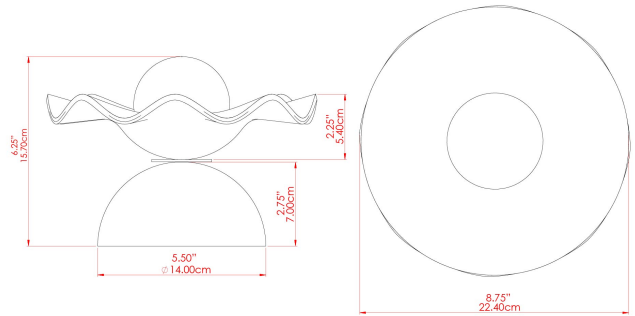
Product Notes:

1) Bulbs not included. 2) Dimensions do not include bulbs. 3) All products are individually made-to-order and therefore may differ slightly within manufacturing tolerances. 4) Cable / chain can be shortened during installation. Longer cable / chain lengths available on request. 5) Additional colour finishes may be available on request. 6) Refer to our website for a full list of terms and conditions.



RIVALE Ceramic Table Lamp

MLCMTL032ANTBRSOP Antique Brass



| | |
|---------------------------|---|
| MATERIAL | Brass Ceramic |
| HEIGHT | 13cm |
| WIDTH DIAMETER | 21cm |
| LENGTH PROJECTION | n/a |
| WEIGHT | 1.1 kg |
| LAMPHOLDER | G9 |
| MAX WATTAGE | 6.5W |
| VOLTAGE | 220/240v |
| IP RATING | IP20 |
| CLASS PROTECTION | Class II |
| SHADE | GL192 MLCS063 |
| FLEX BAR CHAIN LENGTH | n/a |
| CABLE TYPE | MLCA002 Brown Fabric Braided Cable 2 Core Twisted |

FIXING BRACKET: -



WWW.MULLANLIGHTING.COM

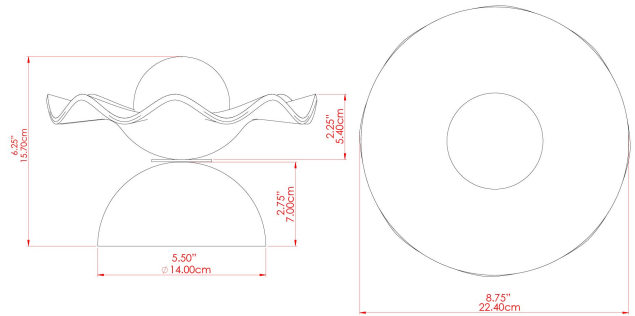
Product Notes:

1) Bulbs not included. 2) Dimensions do not include bulbs. 3) All products are individually made-to-order and therefore may differ slightly within manufacturing tolerances. 4) Cable / chain can be shortened during installation. Longer cable / chain lengths available on request. 5) Additional colour finishes may be available on request. 6) Refer to our website for a full list of terms and conditions.



RIVALE Ceramic Table Lamp

MLCMTL032ANTSLVOP Antique Silver



| | |
|---------------------------|---|
| MATERIAL | Brass Ceramic |
| HEIGHT | 13cm |
| WIDTH DIAMETER | 21cm |
| LENGTH PROJECTION | n/a |
| WEIGHT | 1.1 kg |
| LAMPHOLDER | G9 |
| MAX WATTAGE | 6.5W |
| VOLTAGE | 220/240v |
| IP RATING | IP20 |
| CLASS PROTECTION | Class II |
| SHADE | GL192 MLCS063 |
| FLEX BAR CHAIN LENGTH | n/a |
| CABLE TYPE | MLCA001 Black Fabric Braided Cable 2 Core Twisted |

FIXING BRACKET: -



WWW.MULLANLIGHTING.COM

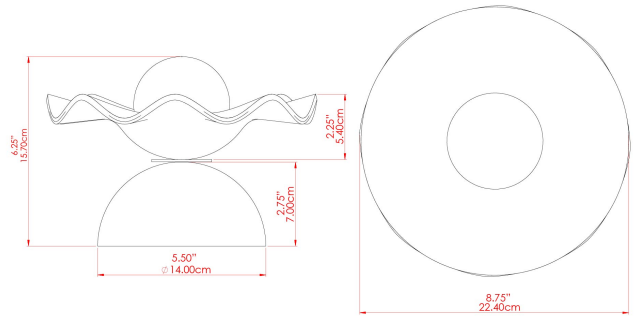
Product Notes:

1) Bulbs not included. 2) Dimensions do not include bulbs. 3) All products are individually made-to-order and therefore may differ slightly within manufacturing tolerances. 4) Cable / chain can be shortened during installation. Longer cable / chain lengths available on request. 5) Additional colour finishes may be available on request. 6) Refer to our website for a full list of terms and conditions.



RIVALE Ceramic Table Lamp

MLCMTL032ANTSLVCL Antique Silver



| | |
|---------------------------|---|
| MATERIAL | Brass Ceramic |
| HEIGHT | 13cm |
| WIDTH DIAMETER | 21cm |
| LENGTH PROJECTION | n/a |
| WEIGHT | 1.1 kg |
| LAMPHOLDER | G9 |
| MAX WATTAGE | 6.5W |
| VOLTAGE | 220/240v |
| IP RATING | IP20 |
| CLASS PROTECTION | Class II |
| SHADE | GL196 MLCS063 |
| FLEX BAR CHAIN LENGTH | n/a |
| CABLE TYPE | MLCA001 Black Fabric Braided Cable 2 Core Twisted |

FIXING BRACKET: -



WWW.MULLANLIGHTING.COM

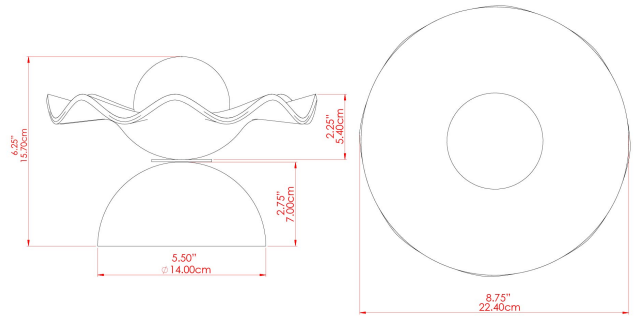
Product Notes:

1) Bulbs not included. 2) Dimensions do not include bulbs. 3) All products are individually made-to-order and therefore may differ slightly within manufacturing tolerances. 4) Cable / chain can be shortened during installation. Longer cable / chain lengths available on request. 5) Additional colour finishes may be available on request. 6) Refer to our website for a full list of terms and conditions.



RIVALE Ceramic Table Lamp

MLCMTL032ANTSLVFR Antique Silver



| | |
|---------------------------|---|
| MATERIAL | Brass Ceramic |
| HEIGHT | 13cm |
| WIDTH DIAMETER | 21cm |
| LENGTH PROJECTION | n/a |
| WEIGHT | 1.1 kg |
| LAMPHOLDER | G9 |
| MAX WATTAGE | 6.5W |
| VOLTAGE | 220/240v |
| IP RATING | IP20 |
| CLASS PROTECTION | Class II |
| SHADE | GL208 MLCS063 |
| FLEX BAR CHAIN LENGTH | n/a |
| CABLE TYPE | MLCA001 Black Fabric Braided Cable 2 Core Twisted |

FIXING BRACKET: -



WWW.MULLANLIGHTING.COM

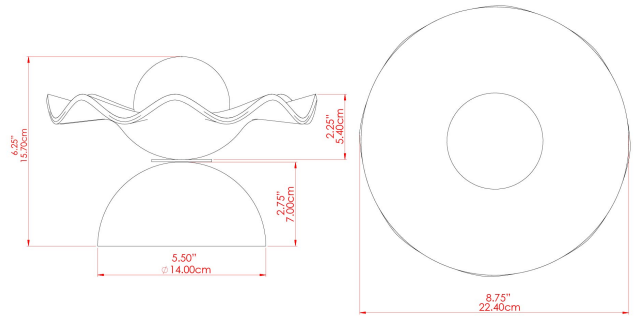
Product Notes:

1) Bulbs not included. 2) Dimensions do not include bulbs. 3) All products are individually made-to-order and therefore may differ slightly within manufacturing tolerances. 4) Cable / chain can be shortened during installation. Longer cable / chain lengths available on request. 5) Additional colour finishes may be available on request. 6) Refer to our website for a full list of terms and conditions.



RIVALE Ceramic Table Lamp

MLCMTL032PCMBKCL Matt Black



| | |
|---------------------------|---|
| MATERIAL | Brass Ceramic |
| HEIGHT | 13cm |
| WIDTH DIAMETER | 21cm |
| LENGTH PROJECTION | n/a |
| WEIGHT | 1.1 kg |
| LAMPHOLDER | G9 |
| MAX WATTAGE | 6.5W |
| VOLTAGE | 220/240v |
| IP RATING | IP20 |
| CLASS PROTECTION | Class II |
| SHADE | GL196 MLCS063 |
| FLEX BAR CHAIN LENGTH | n/a |
| CABLE TYPE | MLCA001 Black Fabric Braided Cable 2 Core Twisted |

FIXING BRACKET: -



WWW.MULLANLIGHTING.COM

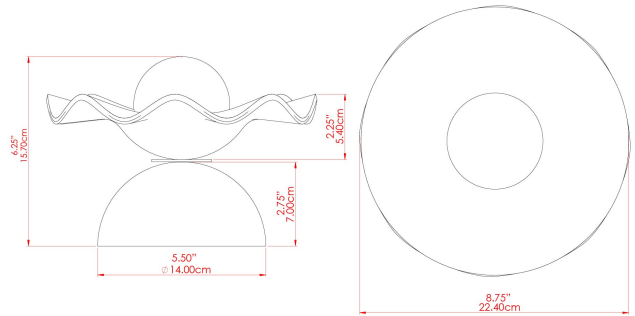
Product Notes:

1) Bulbs not included. 2) Dimensions do not include bulbs. 3) All products are individually made-to-order and therefore may differ slightly within manufacturing tolerances. 4) Cable / chain can be shortened during installation. Longer cable / chain lengths available on request. 5) Additional colour finishes may be available on request. 6) Refer to our website for a full list of terms and conditions.



RIVALE Ceramic Table Lamp

MLCMTL032PCMBKFR Matt Black



| | |
|---------------------------|---|
| MATERIAL | Brass Ceramic |
| HEIGHT | 13cm |
| WIDTH DIAMETER | 21cm |
| LENGTH PROJECTION | n/a |
| WEIGHT | 1.1 kg |
| LAMPHOLDER | G9 |
| MAX WATTAGE | 6.5W |
| VOLTAGE | 220/240v |
| IP RATING | IP20 |
| CLASS PROTECTION | Class II |
| SHADE | GL208 MLCS063 |
| FLEX BAR CHAIN LENGTH | n/a |
| CABLE TYPE | MLCA001 Black Fabric Braided Cable 2 Core Twisted |

FIXING BRACKET: -



WWW.MULLANLIGHTING.COM

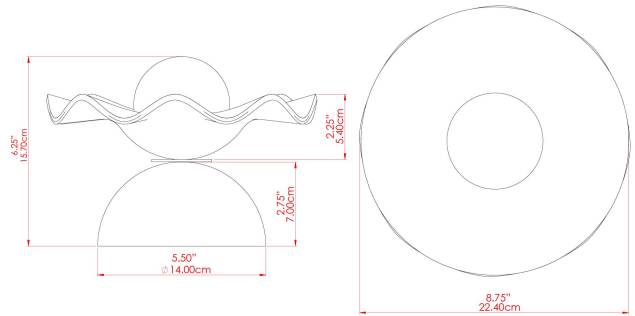
Product Notes:

1) Bulbs not included. 2) Dimensions do not include bulbs. 3) All products are individually made-to-order and therefore may differ slightly within manufacturing tolerances. 4) Cable / chain can be shortened during installation. Longer cable / chain lengths available on request. 5) Additional colour finishes may be available on request. 6) Refer to our website for a full list of terms and conditions.



RIVALE Ceramic Table Lamp

MLCMTL032PCMBKOP Matt Black



| | |
|---------------------------|---|
| MATERIAL | Brass Ceramic |
| HEIGHT | 13cm |
| WIDTH DIAMETER | 21cm |
| LENGTH PROJECTION | n/a |
| WEIGHT | 1.1 kg |
| LAMPHOLDER | G9 |
| MAX WATTAGE | 6.5W |
| VOLTAGE | 220/240v |
| IP RATING | IP20 |
| CLASS PROTECTION | Class II |
| SHADE | GL192 MLCS063 |
| FLEX BAR CHAIN LENGTH | n/a |
| CABLE TYPE | MLCA001 Black Fabric Braided Cable 2 Core Twisted |

FIXING BRACKET: -



WWW.MULLANLIGHTING.COM

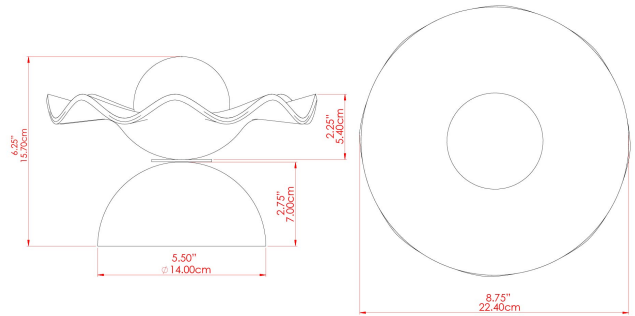
Product Notes:

1) Bulbs not included. 2) Dimensions do not include bulbs. 3) All products are individually made-to-order and therefore may differ slightly within manufacturing tolerances. 4) Cable / chain can be shortened during installation. Longer cable / chain lengths available on request. 5) Additional colour finishes may be available on request. 6) Refer to our website for a full list of terms and conditions.



RIVALE Ceramic Table Lamp

MLCMTL032POLBRSOP Polished Brass



| | |
|---------------------------|---|
| MATERIAL | Brass Ceramic |
| HEIGHT | 13cm |
| WIDTH DIAMETER | 21cm |
| LENGTH PROJECTION | n/a |
| WEIGHT | 1.1 kg |
| LAMPHOLDER | G9 |
| MAX WATTAGE | 6.5W |
| VOLTAGE | 220/240v |
| IP RATING | IP20 |
| CLASS PROTECTION | Class II |
| SHADE | GL192 MLCS063 |
| FLEX BAR CHAIN LENGTH | n/a |
| CABLE TYPE | MLCA001 Black Fabric Braided Cable 2 Core Twisted |

FIXING BRACKET: -

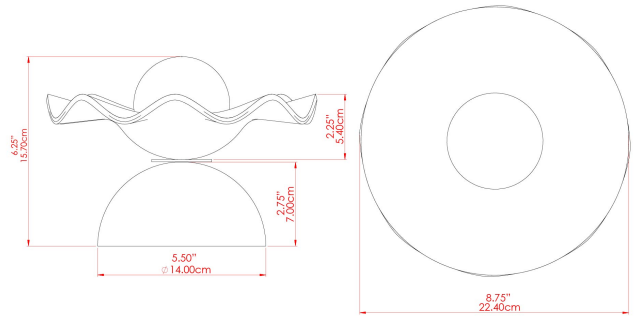


Product Notes:
 1) Bulbs not included. 2) Dimensions do not include bulbs. 3) All products are individually made-to-order and therefore may differ slightly within manufacturing tolerances. 4) Cable / chain can be shortened during installation. Longer cable / chain lengths available on request. 5) Additional colour finishes may be available on request. 6) Refer to our website for a full list of terms and conditions.



RIVALE Ceramic Table Lamp

MLCMTL032POLBRSC Polished Brass

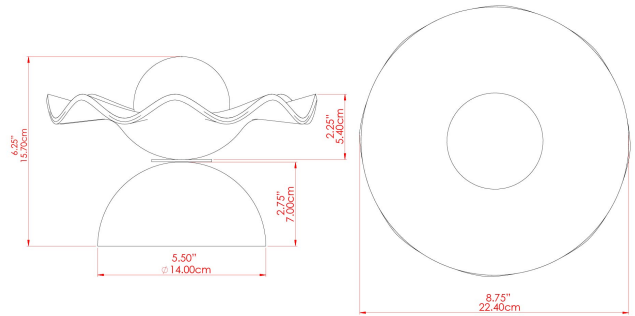


| | |
|---------------------------|---|
| MATERIAL | Brass Ceramic |
| HEIGHT | 13cm |
| WIDTH DIAMETER | 21cm |
| LENGTH PROJECTION | n/a |
| WEIGHT | 1.1 kg |
| LAMPHOLDER | G9 |
| MAX WATTAGE | 6.5W |
| VOLTAGE | 220/240v |
| IP RATING | IP20 |
| CLASS PROTECTION | Class II |
| SHADE | GL196 MLCS063 |
| FLEX BAR CHAIN LENGTH | n/a |
| CABLE TYPE | MLCA001 Black Fabric Braided Cable 2 Core Twisted |

FIXING BRACKET: -

RIVALE Ceramic Table Lamp

MLCMTL032POLBRSFR Polished Brass

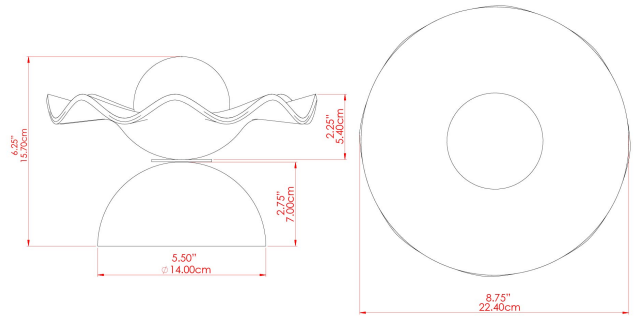


| | |
|---------------------------|---|
| MATERIAL | Brass Ceramic |
| HEIGHT | 13cm |
| WIDTH DIAMETER | 21cm |
| LENGTH PROJECTION | n/a |
| WEIGHT | 1.1 kg |
| LAMPHOLDER | G9 |
| MAX WATTAGE | 6.5W |
| VOLTAGE | 220/240v |
| IP RATING | IP20 |
| CLASS PROTECTION | Class II |
| SHADE | GL208 MLCS063 |
| FLEX BAR CHAIN LENGTH | n/a |
| CABLE TYPE | MLCA001 Black Fabric Braided Cable 2 Core Twisted |

FIXING BRACKET: -

RIVALE Ceramic Table Lamp

MLCMTL032SATBRSL Satin Brass



| | |
|---------------------------|---|
| MATERIAL | Brass Ceramic |
| HEIGHT | 13cm |
| WIDTH DIAMETER | 21cm |
| LENGTH PROJECTION | n/a |
| WEIGHT | 1.1 kg |
| LAMPHOLDER | G9 |
| MAX WATTAGE | 6.5W |
| VOLTAGE | 220/240v |
| IP RATING | IP20 |
| CLASS PROTECTION | Class II |
| SHADE | GL196 MLCS063 |
| FLEX BAR CHAIN LENGTH | n/a |
| CABLE TYPE | MLCA001 Black Fabric Braided Cable 2 Core Twisted |

FIXING BRACKET: -



WWW.MULLANLIGHTING.COM

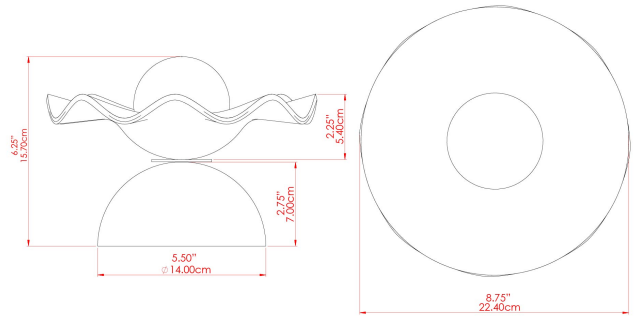
Product Notes:

1) Bulbs not included. 2) Dimensions do not include bulbs. 3) All products are individually made-to-order and therefore may differ slightly within manufacturing tolerances. 4) Cable / chain can be shortened during installation. Longer cable / chain lengths available on request. 5) Additional colour finishes may be available on request. 6) Refer to our website for a full list of terms and conditions.



RIVALE Ceramic Table Lamp

MLCMTL032SATBRSOP Satin Brass



| | |
|---------------------------|---|
| MATERIAL | Brass Ceramic |
| HEIGHT | 13cm |
| WIDTH DIAMETER | 21cm |
| LENGTH PROJECTION | n/a |
| WEIGHT | 1.1 kg |
| LAMPHOLDER | G9 |
| MAX WATTAGE | 6.5W |
| VOLTAGE | 220/240v |
| IP RATING | IP20 |
| CLASS PROTECTION | Class II |
| SHADE | GL192 MLCS063 |
| FLEX BAR CHAIN LENGTH | n/a |
| CABLE TYPE | MLCA001 Black Fabric Braided Cable 2 Core Twisted |

FIXING BRACKET: -



WWW.MULLANLIGHTING.COM

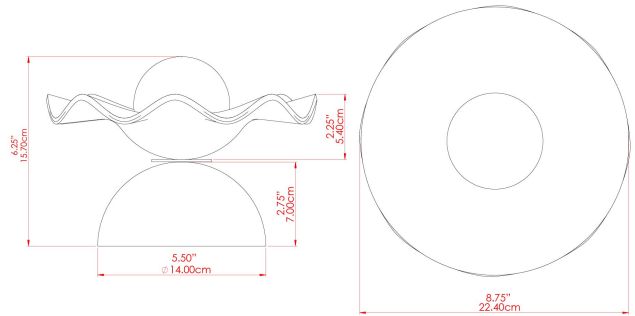
Product Notes:

1) Bulbs not included. 2) Dimensions do not include bulbs. 3) All products are individually made-to-order and therefore may differ slightly within manufacturing tolerances. 4) Cable / chain can be shortened during installation. Longer cable / chain lengths available on request. 5) Additional colour finishes may be available on request. 6) Refer to our website for a full list of terms and conditions.



RIVALE Ceramic Table Lamp

MLCMTL032SATBRSFR Satin Brass



| | |
|---------------------------|---|
| MATERIAL | Brass Ceramic |
| HEIGHT | 13cm |
| WIDTH DIAMETER | 21cm |
| LENGTH PROJECTION | n/a |
| WEIGHT | 1.1 kg |
| LAMPHOLDER | G9 |
| MAX WATTAGE | 6.5W |
| VOLTAGE | 220/240v |
| IP RATING | IP20 |
| CLASS PROTECTION | Class II |
| SHADE | GL208 MLCS063 |
| FLEX BAR CHAIN LENGTH | n/a |
| CABLE TYPE | MLCA001 Black Fabric Braided Cable 2 Core Twisted |

FIXING BRACKET: -



WWW.MULLANLIGHTING.COM

Product Notes:

1) Bulbs not included. 2) Dimensions do not include bulbs. 3) All products are individually made-to-order and therefore may differ slightly within manufacturing tolerances. 4) Cable / chain can be shortened during installation. Longer cable / chain lengths available on request. 5) Additional colour finishes may be available on request. 6) Refer to our website for a full list of terms and conditions.

