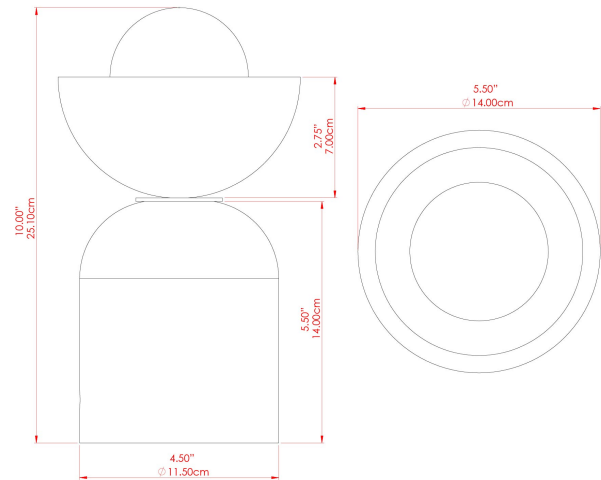


PRALI Ceramic Table Lamp

MLCMTL031ANTBRS Antique Brass

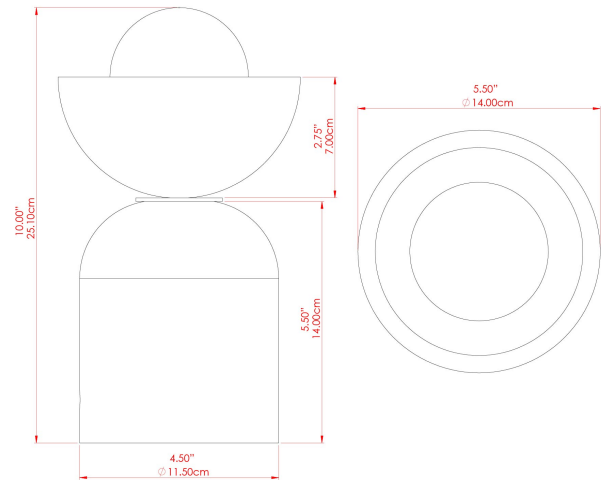


MATERIAL	Ceramic Brass Glass
HEIGHT	25cm
WIDTH DIAMETER	14cm
LENGTH PROJECTION	n/a
WEIGHT	1.7 kg
LAMPHOLDER	G9
MAX WATTAGE	6.5W
VOLTAGE	220/240v
IP RATING	IP20
CLASS PROTECTION	Class II
SHADE	MLL031 GL192 MLCS073
FLEX BAR CHAIN LENGTH	n/a
CABLE TYPE	MLCA047 Brown Fabric Braided Cable 2 Core Round

FIXING BRACKET: -

PRALI Ceramic Table Lamp

MLCMTL031ANTBRACL Antique Brass



MATERIAL	Ceramic Brass Glass
HEIGHT	25cm
WIDTH DIAMETER	14cm
LENGTH PROJECTION	n/a
WEIGHT	1.7 kg
LAMPHOLDER	G9
MAX WATTAGE	6.5W
VOLTAGE	220/240v
IP RATING	IP20
CLASS PROTECTION	Class II
SHADE	MLL031 GL196 MLCS073
FLEX BAR CHAIN LENGTH	n/a
CABLE TYPE	MLCA047 Brown Fabric Braided Cable 2 Core Round

FIXING BRACKET: -

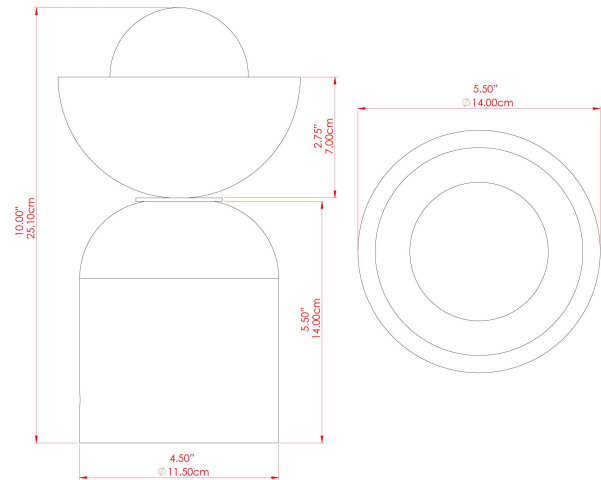


Product Notes:
 1) Bulbs not included. 2) Dimensions do not include bulbs. 3) All products are individually made-to-order and therefore may differ slightly within manufacturing tolerances. 4) Cable / chain can be shortened during installation. Longer cable / chain lengths available on request. 5) Additional colour finishes may be available on request. 6) Refer to our website for a full list of terms and conditions.



PRALI Ceramic Table Lamp

MLCMTL031ANTBRSFR Antique Brass

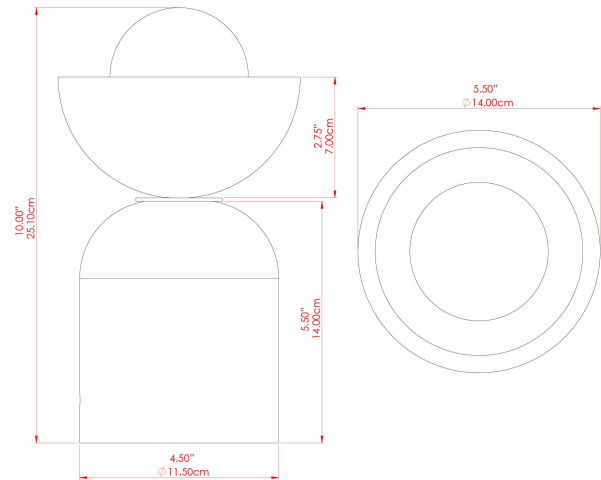


MATERIAL	Ceramic Brass Glass
HEIGHT	25cm
WIDTH DIAMETER	14cm
LENGTH PROJECTION	n/a
WEIGHT	1.7 kg
LAMPHOLDER	G9
MAX WATTAGE	6.5W
VOLTAGE	220/240v
IP RATING	IP20
CLASS PROTECTION	Class II
SHADE	MLL031 GL208 MLCS073
FLEX BAR CHAIN LENGTH	n/a
CABLE TYPE	MLCA047 Brown Fabric Braided Cable 2 Core Round

FIXING BRACKET: -

PRALI Ceramic Table Lamp

MLCMTL031ANTSLV Antique Silver



MATERIAL	Ceramic Brass Glass
HEIGHT	25cm
WIDTH DIAMETER	14cm
LENGTH PROJECTION	n/a
WEIGHT	1.7 kg
LAMPHOLDER	G9
MAX WATTAGE	6.5W
VOLTAGE	220/240v
IP RATING	IP20
CLASS PROTECTION	Class II
SHADE	MLL031 GL192 MLCS073
FLEX BAR CHAIN LENGTH	n/a
CABLE TYPE	MLCA028 Black Fabric Braided Cable 2 Core Round

FIXING BRACKET: -



WWW.MULLANLIGHTING.COM

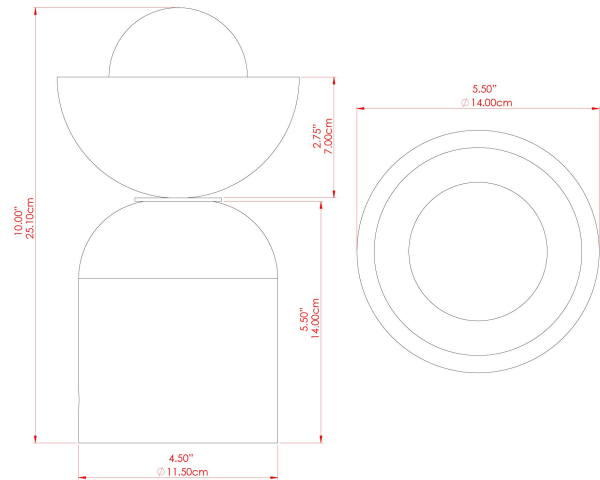
Product Notes:

1) Bulbs not included. 2) Dimensions do not include bulbs. 3) All products are individually made-to-order and therefore may differ slightly within manufacturing tolerances. 4) Cable / chain can be shortened during installation. Longer cable / chain lengths available on request. 5) Additional colour finishes may be available on request. 6) Refer to our website for a full list of terms and conditions.



PRALI Ceramic Table Lamp

MLCMTL031ANTSLVCL Antique Silver



MATERIAL	Ceramic Brass Glass
HEIGHT	25cm
WIDTH DIAMETER	14cm
LENGTH PROJECTION	n/a
WEIGHT	1.7 kg
LAMPHOLDER	G9
MAX WATTAGE	6.5W
VOLTAGE	220/240v
IP RATING	IP20
CLASS PROTECTION	Class II
SHADE	MLL031 GL196 MLCS073
FLEX BAR CHAIN LENGTH	n/a
CABLE TYPE	MLCA028 Black Fabric Braided Cable 2 Core Round

FIXING BRACKET: -



WWW.MULLANLIGHTING.COM

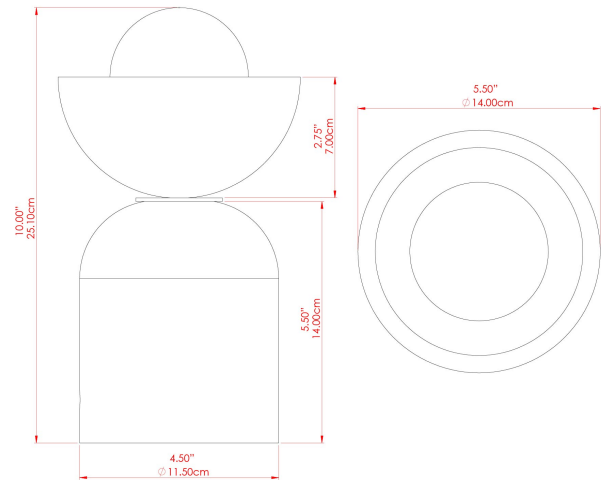
Product Notes:

1) Bulbs not included. 2) Dimensions do not include bulbs. 3) All products are individually made-to-order and therefore may differ slightly within manufacturing tolerances. 4) Cable / chain can be shortened during installation. Longer cable / chain lengths available on request. 5) Additional colour finishes may be available on request. 6) Refer to our website for a full list of terms and conditions.



PRALI Ceramic Table Lamp

MLCMTL031ANTSLVFR Antique Silver



MATERIAL	Ceramic Brass Glass
HEIGHT	25cm
WIDTH DIAMETER	14cm
LENGTH PROJECTION	n/a
WEIGHT	1.7 kg
LAMPHOLDER	G9
MAX WATTAGE	6.5W
VOLTAGE	220/240v
IP RATING	IP20
CLASS PROTECTION	Class II
SHADE	MLL031 GL208 MLCS073
FLEX BAR CHAIN LENGTH	n/a
CABLE TYPE	MLCA028 Black Fabric Braided Cable 2 Core Round

FIXING BRACKET: -



WWW.MULLANLIGHTING.COM

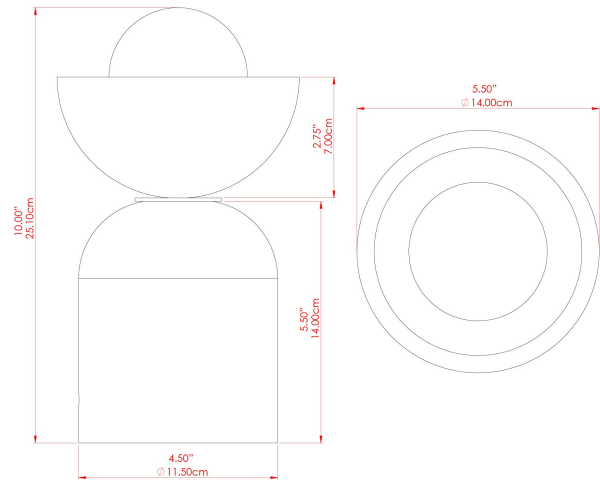
Product Notes:

1) Bulbs not included. 2) Dimensions do not include bulbs. 3) All products are individually made-to-order and therefore may differ slightly within manufacturing tolerances. 4) Cable / chain can be shortened during installation. Longer cable / chain lengths available on request. 5) Additional colour finishes may be available on request. 6) Refer to our website for a full list of terms and conditions.



PRALI Ceramic Table Lamp

MLCMTL031PCMBK Matt Black



MATERIAL	Ceramic Brass Glass
HEIGHT	25cm
WIDTH DIAMETER	14cm
LENGTH PROJECTION	n/a
WEIGHT	1.7 kg
LAMPHOLDER	G9
MAX WATTAGE	6.5W
VOLTAGE	220/240v
IP RATING	IP20
CLASS PROTECTION	Class II
SHADE	MLL031 GL192 MLCS073
FLEX BAR CHAIN LENGTH	n/a
CABLE TYPE	MLCA028 Black Fabric Braided Cable 2 Core Round

FIXING BRACKET: -



WWW.MULLANLIGHTING.COM

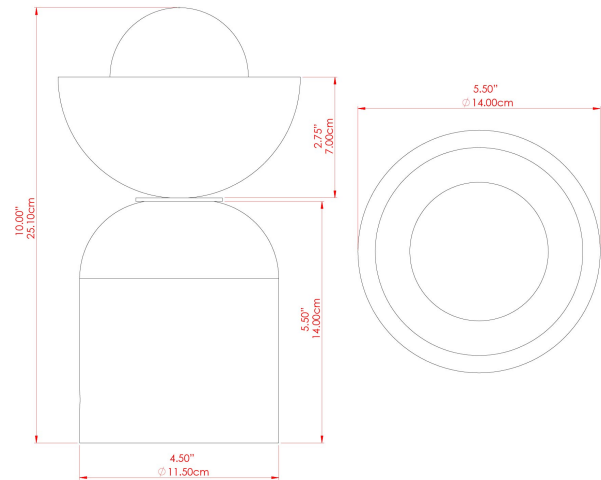
Product Notes:

1) Bulbs not included. 2) Dimensions do not include bulbs. 3) All products are individually made-to-order and therefore may differ slightly within manufacturing tolerances. 4) Cable / chain can be shortened during installation. Longer cable / chain lengths available on request. 5) Additional colour finishes may be available on request. 6) Refer to our website for a full list of terms and conditions.



PRALI Ceramic Table Lamp

MLCMTL031PCMBKCL Matt Black



MATERIAL	Ceramic Brass Glass
HEIGHT	25cm
WIDTH DIAMETER	14cm
LENGTH PROJECTION	n/a
WEIGHT	1.7 kg
LAMPHOLDER	G9
MAX WATTAGE	6.5W
VOLTAGE	220/240v
IP RATING	IP20
CLASS PROTECTION	Class II
SHADE	MLL031 GL196 MLCS073
FLEX BAR CHAIN LENGTH	n/a
CABLE TYPE	MLCA028 Black Fabric Braided Cable 2 Core Round

FIXING BRACKET: -



WWW.MULLANLIGHTING.COM

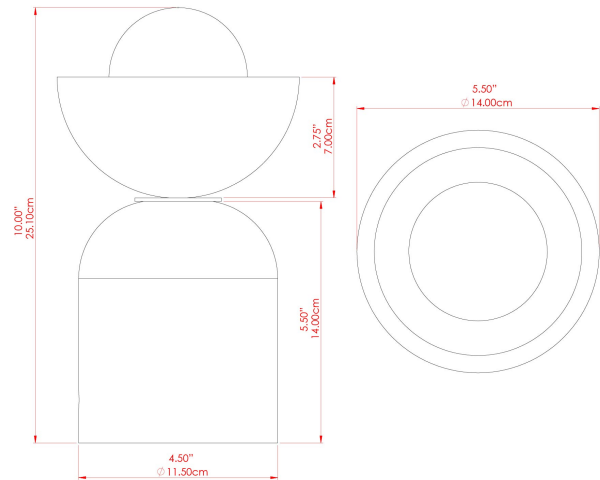
Product Notes:

1) Bulbs not included. 2) Dimensions do not include bulbs. 3) All products are individually made-to-order and therefore may differ slightly within manufacturing tolerances. 4) Cable / chain can be shortened during installation. Longer cable / chain lengths available on request. 5) Additional colour finishes may be available on request. 6) Refer to our website for a full list of terms and conditions.



PRALI Ceramic Table Lamp

MLCMTL031PCMBKFR Matt Black



MATERIAL	Ceramic Brass Glass
HEIGHT	25cm
WIDTH DIAMETER	14cm
LENGTH PROJECTION	n/a
WEIGHT	1.7 kg
LAMPHOLDER	G9
MAX WATTAGE	6.5W
VOLTAGE	220/240v
IP RATING	IP20
CLASS PROTECTION	Class II
SHADE	MLL031 GL208 MLCS073
FLEX BAR CHAIN LENGTH	n/a
CABLE TYPE	MLCA028 Black Fabric Braided Cable 2 Core Round

FIXING BRACKET: -



WWW.MULLANLIGHTING.COM

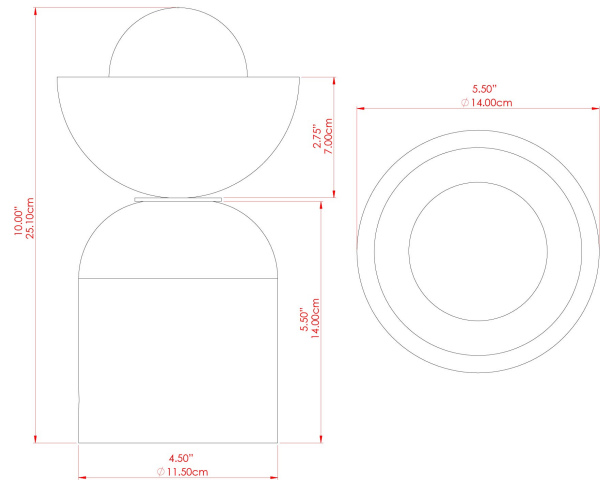
Product Notes:

1) Bulbs not included. 2) Dimensions do not include bulbs. 3) All products are individually made-to-order and therefore may differ slightly within manufacturing tolerances. 4) Cable / chain can be shortened during installation. Longer cable / chain lengths available on request. 5) Additional colour finishes may be available on request. 6) Refer to our website for a full list of terms and conditions.



PRALI Ceramic Table Lamp

MLCMTL031POLBRS Polished Brass



MATERIAL	Ceramic Brass Glass
HEIGHT	25cm
WIDTH DIAMETER	14cm
LENGTH PROJECTION	n/a
WEIGHT	1.7 kg
LAMPHOLDER	G9
MAX WATTAGE	6.5W
VOLTAGE	220/240v
IP RATING	IP20
CLASS PROTECTION	Class II
SHADE	MLL031 GL192 MLCS073
FLEX BAR CHAIN LENGTH	n/a
CABLE TYPE	MLCA028 Black Fabric Braided Cable 2 Core Round

FIXING BRACKET: -

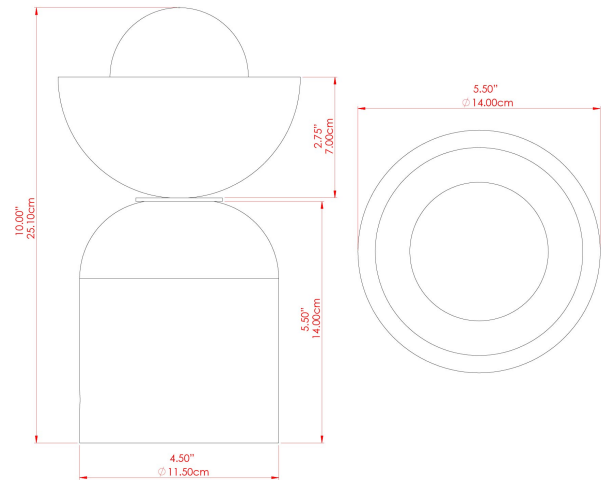


Product Notes:
 1) Bulbs not included. 2) Dimensions do not include bulbs. 3) All products are individually made-to-order and therefore may differ slightly within manufacturing tolerances. 4) Cable / chain can be shortened during installation. Longer cable / chain lengths available on request. 5) Additional colour finishes may be available on request. 6) Refer to our website for a full list of terms and conditions.



PRALI Ceramic Table Lamp

MLCMTL031POLBRSCl Polished Brass



MATERIAL	Ceramic Brass Glass
HEIGHT	25cm
WIDTH DIAMETER	14cm
LENGTH PROJECTION	n/a
WEIGHT	1.7 kg
LAMPHOLDER	G9
MAX WATTAGE	6.5W
VOLTAGE	220/240v
IP RATING	IP20
CLASS PROTECTION	Class II
SHADE	MLL031 GL196 MLCS073
FLEX BAR CHAIN LENGTH	n/a
CABLE TYPE	MLCA028 Black Fabric Braided Cable 2 Core Round

FIXING BRACKET: -

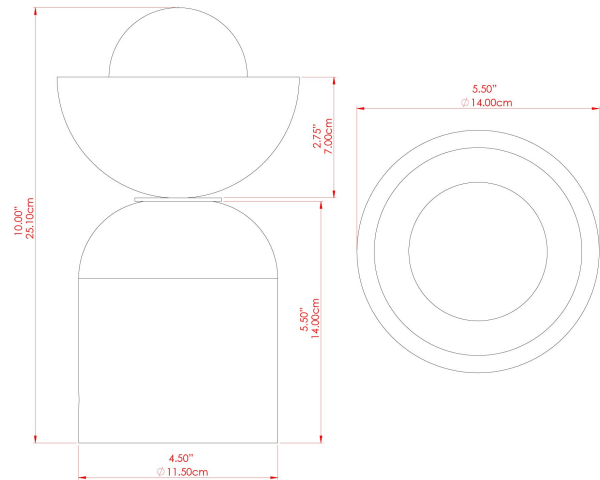


Product Notes:
 1) Bulbs not included. 2) Dimensions do not include bulbs. 3) All products are individually made-to-order and therefore may differ slightly within manufacturing tolerances. 4) Cable / chain can be shortened during installation. Longer cable / chain lengths available on request. 5) Additional colour finishes may be available on request. 6) Refer to our website for a full list of terms and conditions.



PRALI Ceramic Table Lamp

MLCMTL031POLBRSFR Polished Brass

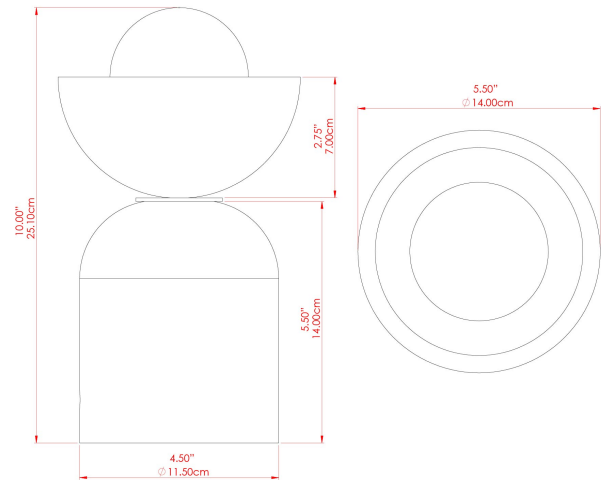


MATERIAL	Ceramic Brass Glass
HEIGHT	25cm
WIDTH DIAMETER	14cm
LENGTH PROJECTION	n/a
WEIGHT	1.7 kg
LAMPHOLDER	G9
MAX WATTAGE	6.5W
VOLTAGE	220/240v
IP RATING	IP20
CLASS PROTECTION	Class II
SHADE	MLL031 GL208 MLCS073
FLEX BAR CHAIN LENGTH	n/a
CABLE TYPE	MLCA028 Black Fabric Braided Cable 2 Core Round

FIXING BRACKET: -

PRALI Ceramic Table Lamp

MLCMTL031SATBRS Satin Brass

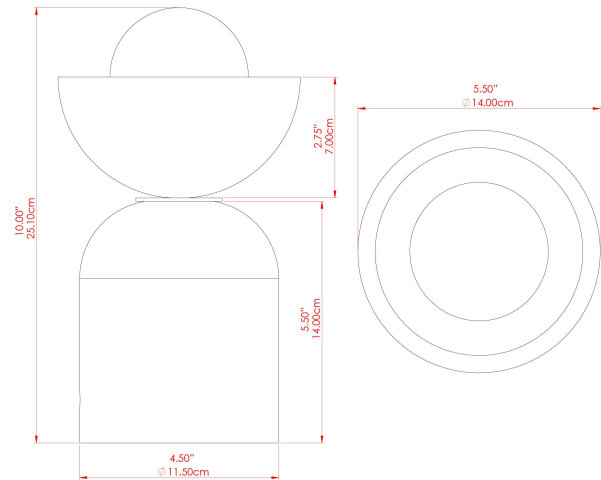


MATERIAL	Ceramic Brass Glass
HEIGHT	25cm
WIDTH DIAMETER	14cm
LENGTH PROJECTION	n/a
WEIGHT	1.7 kg
LAMPHOLDER	G9
MAX WATTAGE	6.5W
VOLTAGE	220/240v
IP RATING	IP20
CLASS PROTECTION	Class II
SHADE	MLL031 GL192 MLCS073
FLEX BAR CHAIN LENGTH	n/a
CABLE TYPE	MLCA028 Black Fabric Braided Cable 2 Core Round

FIXING BRACKET: -

PRALI Ceramic Table Lamp

MLCMTL031SATBRSL Satin Brass



MATERIAL	Ceramic Brass Glass
HEIGHT	25cm
WIDTH DIAMETER	14cm
LENGTH PROJECTION	n/a
WEIGHT	1.7 kg
LAMPHOLDER	G9
MAX WATTAGE	6.5W
VOLTAGE	220/240v
IP RATING	IP20
CLASS PROTECTION	Class II
SHADE	MLL031 GL196 MLCS073
FLEX BAR CHAIN LENGTH	n/a
CABLE TYPE	MLCA028 Black Fabric Braided Cable 2 Core Round

FIXING BRACKET: -



WWW.MULLANLIGHTING.COM

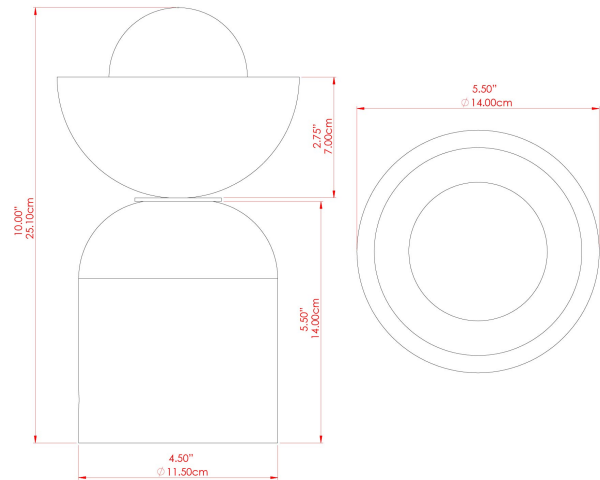
Product Notes:

1) Bulbs not included. 2) Dimensions do not include bulbs. 3) All products are individually made-to-order and therefore may differ slightly within manufacturing tolerances. 4) Cable / chain can be shortened during installation. Longer cable / chain lengths available on request. 5) Additional colour finishes may be available on request. 6) Refer to our website for a full list of terms and conditions.



PRALI Ceramic Table Lamp

MLCMTL031SATBRSFR Satin Brass



MATERIAL	Ceramic Brass Glass
HEIGHT	25cm
WIDTH DIAMETER	14cm
LENGTH PROJECTION	n/a
WEIGHT	1.7 kg
LAMPHOLDER	G9
MAX WATTAGE	6.5W
VOLTAGE	220/240v
IP RATING	IP20
CLASS PROTECTION	Class II
SHADE	MLL031 GL208 MLCS073
FLEX BAR CHAIN LENGTH	n/a
CABLE TYPE	MLCA028 Black Fabric Braided Cable 2 Core Round

FIXING BRACKET: -



WWW.MULLANLIGHTING.COM

Product Notes:

1) Bulbs not included. 2) Dimensions do not include bulbs. 3) All products are individually made-to-order and therefore may differ slightly within manufacturing tolerances. 4) Cable / chain can be shortened during installation. Longer cable / chain lengths available on request. 5) Additional colour finishes may be available on request. 6) Refer to our website for a full list of terms and conditions.

