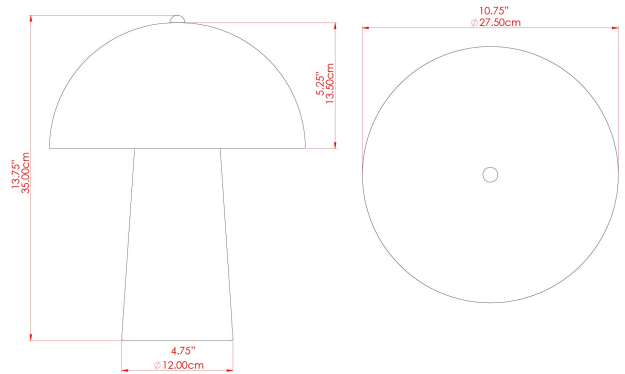


# AMANITA Ceramic Table Lamp

MLCMTL028ANTBRS Antique Brass



MATERIAL	Brass   Ceramic
HEIGHT	37cm
WIDTH   DIAMETER	27.5cm
LENGTH   PROJECTION	n/a
WEIGHT	3.7 kg
LAMPHOLDER	G9
MAX WATTAGE	6.5W
VOLTAGE	220/240v
IP RATING	IP20
CLASS PROTECTION	Class I
SHADE	MLCS067
FLEX   BAR   CHAIN LENGTH	n/a
CABLE TYPE	MLCA046   Brown Fabric Braided Cable   3 Core Round

FIXING BRACKET: -

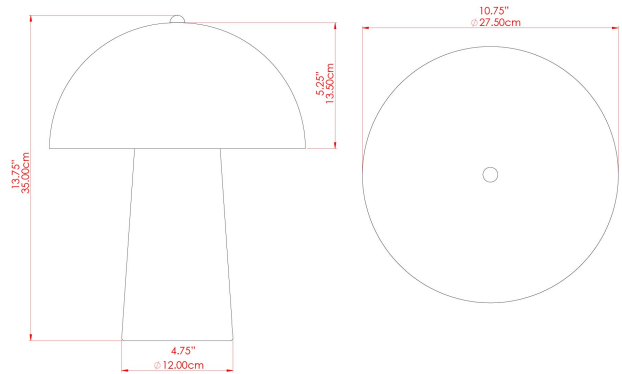


Product Notes:  
 1) Bulbs not included. 2) Dimensions do not include bulbs. 3) All products are individually made-to-order and therefore may differ slightly within manufacturing tolerances. 4) Cable / chain can be shortened during installation. Longer cable / chain lengths available on request. 5) Additional colour finishes may be available on request. 6) Refer to our website for a full list of terms and conditions.



# AMANITA Ceramic Table Lamp

MLCMTL028ANTSLV Antique Silver

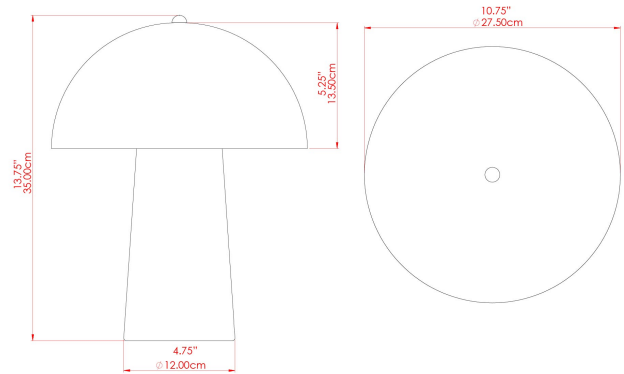


MATERIAL	Brass   Ceramic
HEIGHT	37cm
WIDTH   DIAMETER	27.5cm
LENGTH   PROJECTION	n/a
WEIGHT	3.7 kg
LAMPHOLDER	G9
MAX WATTAGE	6.5W
VOLTAGE	220/240v
IP RATING	IP20
CLASS PROTECTION	Class I
SHADE	MLCS067
FLEX   BAR   CHAIN LENGTH	n/a
CABLE TYPE	MLCA029   Black Fabric Braided Cable   3 Core Round

FIXING BRACKET: -

# AMANITA Ceramic Table Lamp

MLCMTL028PCMBK Matt Black



MATERIAL	Brass   Ceramic
HEIGHT	37cm
WIDTH   DIAMETER	27.5cm
LENGTH   PROJECTION	n/a
WEIGHT	3.7 kg
LAMPHOLDER	G9
MAX WATTAGE	6.5W
VOLTAGE	220/240v
IP RATING	IP20
CLASS PROTECTION	Class I
SHADE	MLCS067
FLEX   BAR   CHAIN LENGTH	n/a
CABLE TYPE	MLCA029   Black Fabric Braided Cable   3 Core Round

FIXING BRACKET: -



WWW.MULLANLIGHTING.COM

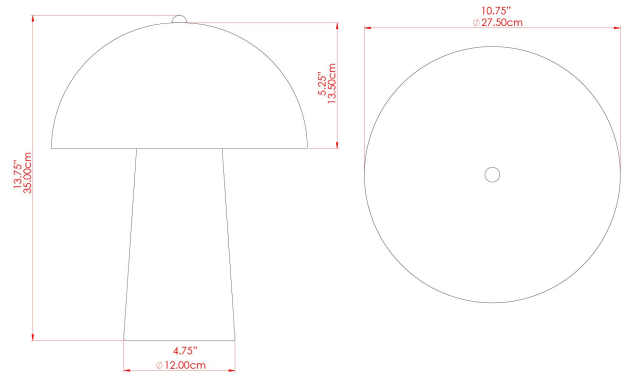
**Product Notes:**

1) Bulbs not included. 2) Dimensions do not include bulbs. 3) All products are individually made-to-order and therefore may differ slightly within manufacturing tolerances. 4) Cable / chain can be shortened during installation. Longer cable / chain lengths available on request. 5) Additional colour finishes may be available on request. 6) Refer to our website for a full list of terms and conditions.



# AMANITA Ceramic Table Lamp

MLCMTL028POLBRS Polished Brass



MATERIAL	Brass   Ceramic
HEIGHT	37cm
WIDTH   DIAMETER	27.5cm
LENGTH   PROJECTION	n/a
WEIGHT	3.7 kg
LAMPHOLDER	G9
MAX WATTAGE	6.5W
VOLTAGE	220/240v
IP RATING	IP20
CLASS PROTECTION	Class I
SHADE	MLCS067
FLEX   BAR   CHAIN LENGTH	n/a
CABLE TYPE	MLCA029   Black Fabric Braided Cable   3 Core Round

FIXING BRACKET: -



WWW.MULLANLIGHTING.COM

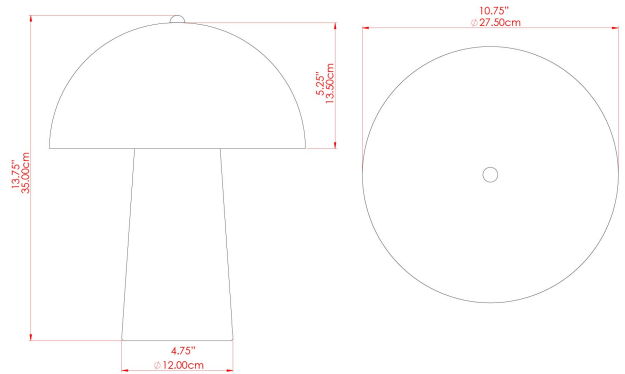
**Product Notes:**

1) Bulbs not included. 2) Dimensions do not include bulbs. 3) All products are individually made-to-order and therefore may differ slightly within manufacturing tolerances. 4) Cable / chain can be shortened during installation. Longer cable / chain lengths available on request. 5) Additional colour finishes may be available on request. 6) Refer to our website for a full list of terms and conditions.



# AMANITA Ceramic Table Lamp

MLCMTL028SATBRS Satin Brass



MATERIAL	Brass   Ceramic
HEIGHT	37cm
WIDTH   DIAMETER	27.5cm
LENGTH   PROJECTION	n/a
WEIGHT	3.7 kg
LAMPHOLDER	G9
MAX WATTAGE	6.5W
VOLTAGE	220/240v
IP RATING	IP20
CLASS PROTECTION	Class I
SHADE	MLCS067
FLEX   BAR   CHAIN LENGTH	n/a
CABLE TYPE	MLCA029   Black Fabric Braided Cable   3 Core Round

FIXING BRACKET: -