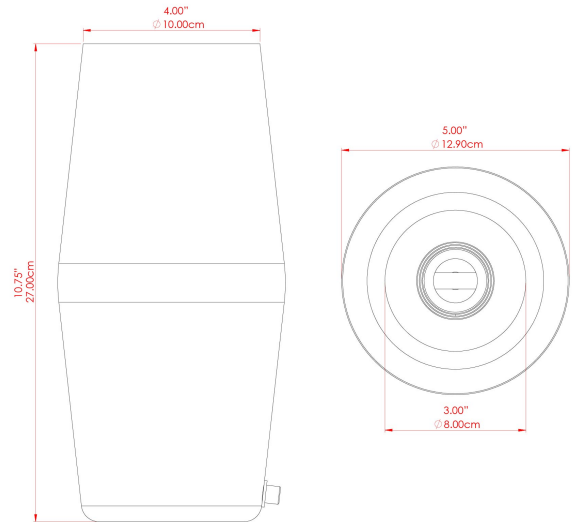


# CARYA Ceramic Table Lamp

MLCMTL019PCMBK Matt Black



MATERIAL	Brass   Ceramic
HEIGHT	28cm
WIDTH   DIAMETER	13cm
LENGTH   PROJECTION	n/a
WEIGHT	1.5 kg
LAMPHOLDER	E27
MAX WATTAGE	40W
VOLTAGE	220/240v
IP RATING	IP20
CLASS PROTECTION	Class II
SHADE	-
FLEX   BAR   CHAIN LENGTH	n/a
CABLE TYPE	MLCA028   Black Fabric Braided Cable   2 Core Round

FIXING BRACKET: -



Product Notes:  
 1) Bulbs not included. 2) Dimensions do not include bulbs. 3) All products are individually made-to-order and therefore may differ slightly within manufacturing tolerances. 4) Cable / chain can be shortened during installation. Longer cable / chain lengths available on request. 5) Additional colour finishes may be available on request. 6) Refer to our website for a full list of terms and conditions.

