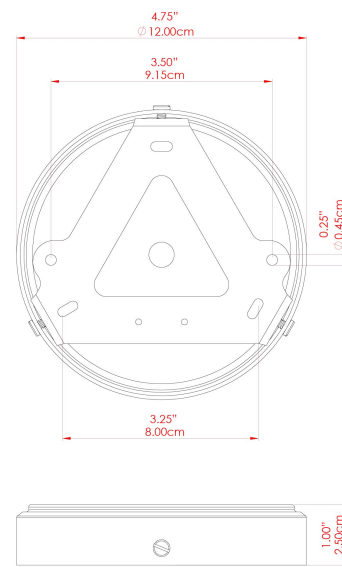


MATERIAL	Brass Ceramic Glass
HEIGHT	20cm
WIDTH DIAMETER	20cm
LENGTH PROJECTION	n/a
WEIGHT	1.2 kg
LAMPHOLDER	E27
MAX WATTAGE	6.5W
VOLTAGE	220/240v
IP RATING	IP44
CLASS PROTECTION	Class II
SHADE	MLCS035 GLWP01
FLEX BAR CHAIN LENGTH	n/a
CABLE TYPE	MLOCA001 Brown Fabric Braided Outdoor Rubber Cable 2 Core Round

FIXING BRACKET: MLROSE39

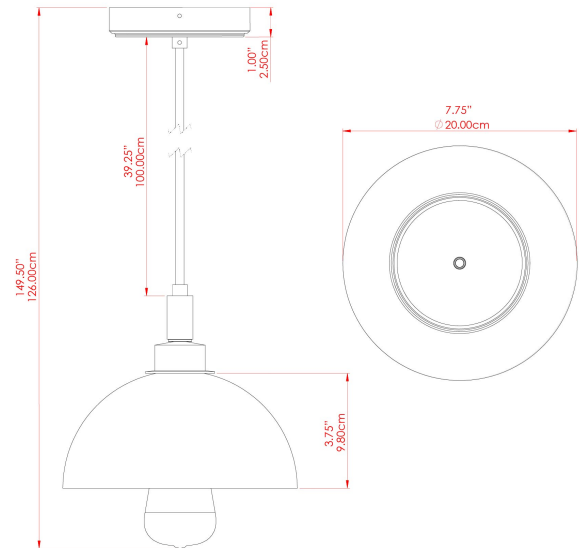


WWW.MULLANLIGHTING.COM

Product Notes:

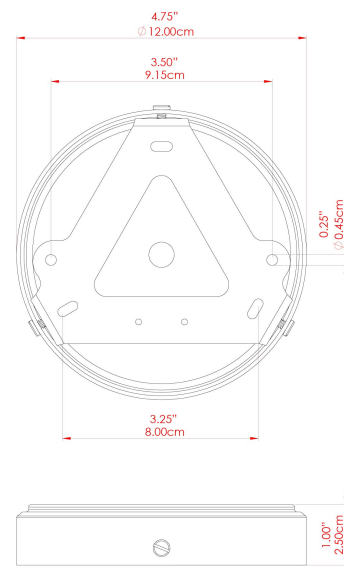
1) Bulbs not included. 2) Dimensions do not include bulbs. 3) All products are individually made-to-order and therefore may differ slightly within manufacturing tolerances. 4) Cable / chain can be shortened during installation. Longer cable / chain lengths available on request. 5) Additional colour finishes may be available on request. 6) Refer to our website for a full list of terms and conditions.





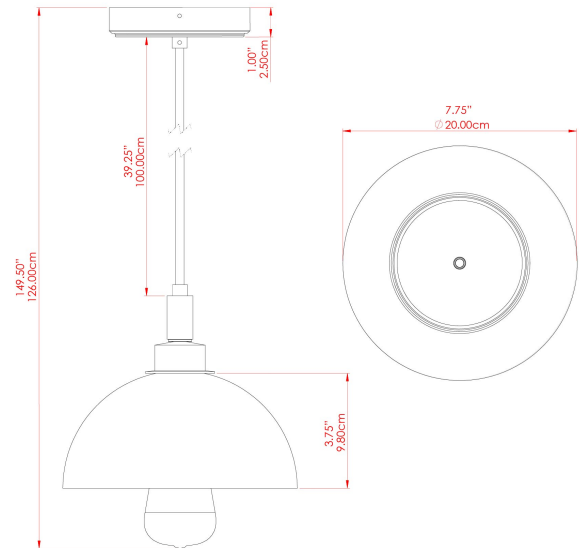
MATERIAL	Brass Ceramic Glass
HEIGHT	20cm
WIDTH DIAMETER	20cm
LENGTH PROJECTION	n/a
WEIGHT	1.2 kg
LAMPHOLDER	E27
MAX WATTAGE	6.5W
VOLTAGE	220/240v
IP RATING	IP44
CLASS PROTECTION	Class II
SHADE	MLCS035 GLWP01
FLEX BAR CHAIN LENGTH	n/a
CABLE TYPE	MLOCA002 Black Fabric Braided Outdoor Rubber Cable 2 Core Round

FIXING BRACKET: MLROSE39



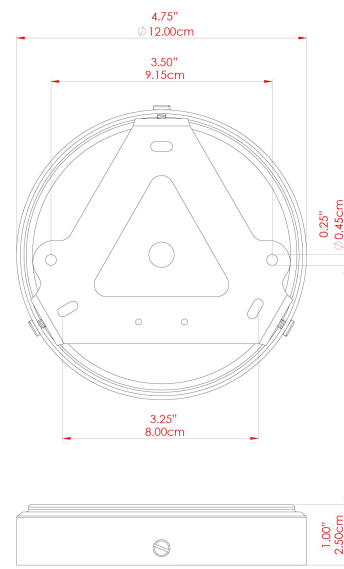
Product Notes:
 1) Bulbs not included. 2) Dimensions do not include bulbs. 3) All products are individually made-to-order and therefore may differ slightly within manufacturing tolerances. 4) Cable / chain can be shortened during installation. Longer cable / chain lengths available on request. 5) Additional colour finishes may be available on request. 6) Refer to our website for a full list of terms and conditions.





MATERIAL	Brass Ceramic Glass
HEIGHT	20cm
WIDTH DIAMETER	20cm
LENGTH PROJECTION	n/a
WEIGHT	1.2 kg
LAMPHOLDER	E27
MAX WATTAGE	6.5W
VOLTAGE	220/240v
IP RATING	IP44
CLASS PROTECTION	Class II
SHADE	MLCS035 GLWP01
FLEX BAR CHAIN LENGTH	n/a
CABLE TYPE	MLOCA002

FIXING BRACKET: MLROSE39

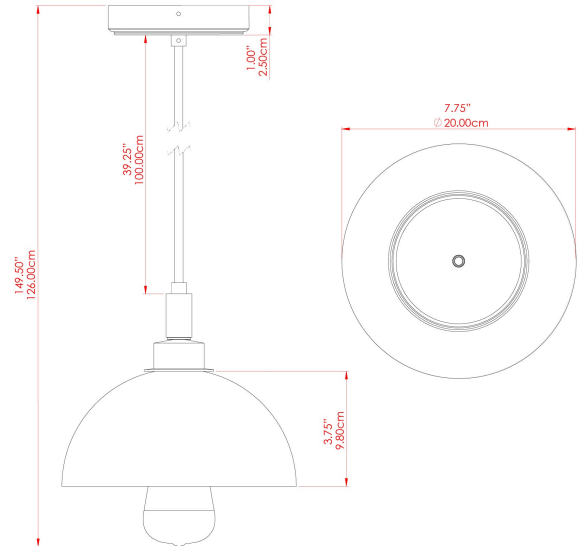


WWW.MULLANLIGHTING.COM

Product Notes:

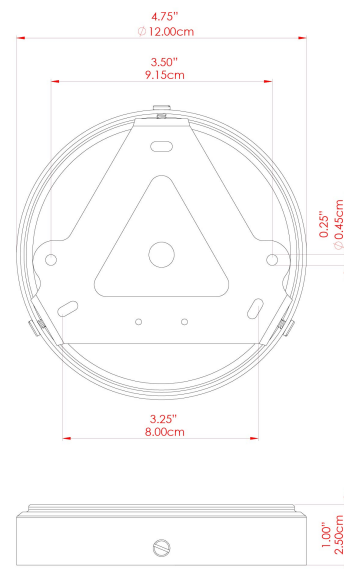
1) Bulbs not included. 2) Dimensions do not include bulbs. 3) All products are individually made-to-order and therefore may differ slightly within manufacturing tolerances. 4) Cable / chain can be shortened during installation. Longer cable / chain lengths available on request. 5) Additional colour finishes may be available on request. 6) Refer to our website for a full list of terms and conditions.

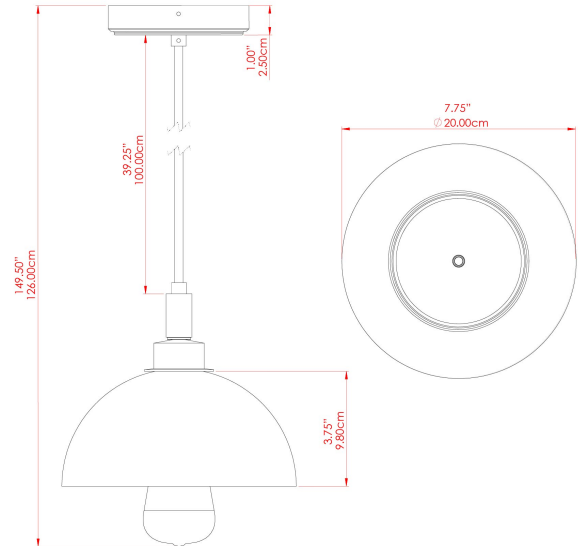




MATERIAL	Brass Ceramic Glass
HEIGHT	20cm
WIDTH DIAMETER	20cm
LENGTH PROJECTION	n/a
WEIGHT	1.2 kg
LAMPHOLDER	E27
MAX WATTAGE	6.5W
VOLTAGE	220/240v
IP RATING	IP44
CLASS PROTECTION	Class II
SHADE	MLCS035 GLWP01
FLEX BAR CHAIN LENGTH	n/a
CABLE TYPE	MLCA002 Black Fabric Braided Outdoor Rubber Cable 2 Core Round

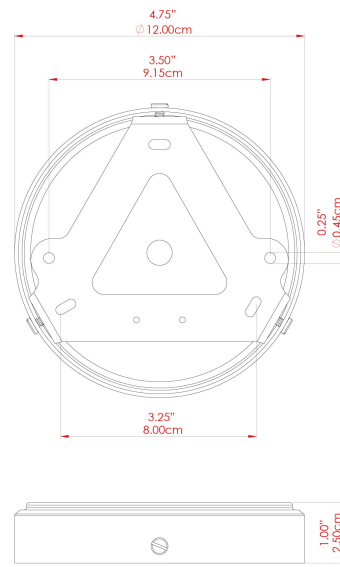
FIXING BRACKET: MLROSE39





MATERIAL	Brass Ceramic Glass
HEIGHT	20cm
WIDTH DIAMETER	20cm
LENGTH PROJECTION	n/a
WEIGHT	1.2 kg
LAMPHOLDER	E27
MAX WATTAGE	6.5W
VOLTAGE	220/240v
IP RATING	IP44
CLASS PROTECTION	Class II
SHADE	MLCS035 GLWP01
FLEX BAR CHAIN LENGTH	n/a
CABLE TYPE	MLOCA002 Black Fabric Braided Outdoor Rubber Cable 2 Core Round

FIXING BRACKET: MLROSE39



Product Notes:

1) Bulbs not included. 2) Dimensions do not include bulbs. 3) All products are individually made-to-order and therefore may differ slightly within manufacturing tolerances. 4) Cable / chain can be shortened during installation. Longer cable / chain lengths available on request. 5) Additional colour finishes may be available on request. 6) Refer to our website for a full list of terms and conditions.



WWW.MULLANLIGHTING.COM

