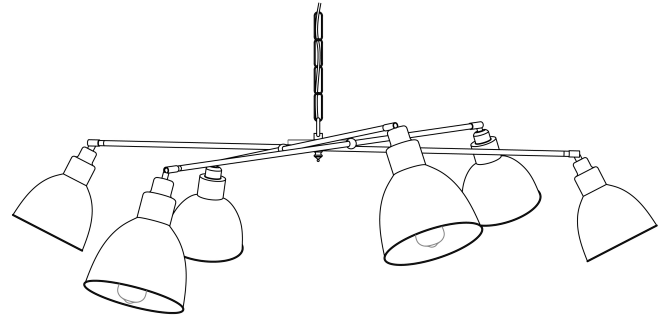


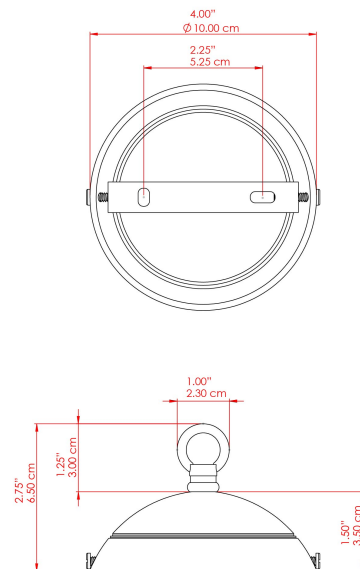
BRIDGETOWN Chandelier

MLF185ANTBRS Antique Brass



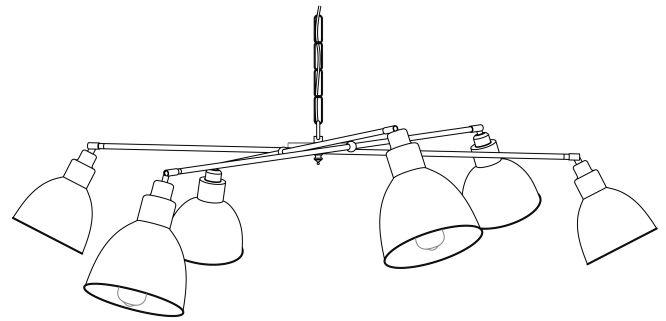
MATERIAL	Brass
HEIGHT	15-23cm
WIDTH DIAMETER	104-124cm
LENGTH PROJECTION	n/a
WEIGHT	6 kg
LAMPHOLDER	E27
MAX WATTAGE	40W
VOLTAGE	220/240v
IP RATING	IP20
CLASS PROTECTION	Class I
SHADE	-
FLEX BAR CHAIN LENGTH	100cm
CABLE TYPE	MLCA036 Brown PVC Flexible Cable 3 Core

FIXING BRACKET: MLROSE15 | Antique Brass



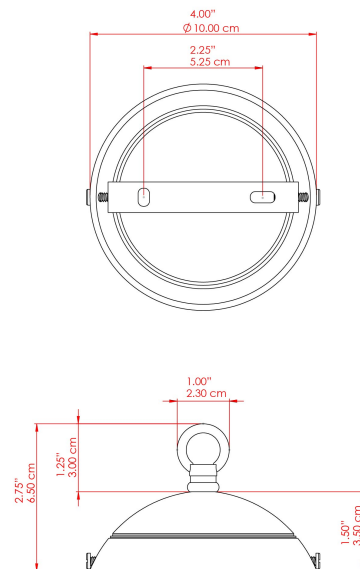
Product Notes:
 1) Bulbs not included. 2) Dimensions do not include bulbs. 3) All products are individually made-to-order and therefore may differ slightly within manufacturing tolerances. 4) Cable / chain can be shortened during installation. Longer cable / chain lengths available on request. 5) Additional colour finishes may be available on request. 6) Refer to our website for a full list of terms and conditions.

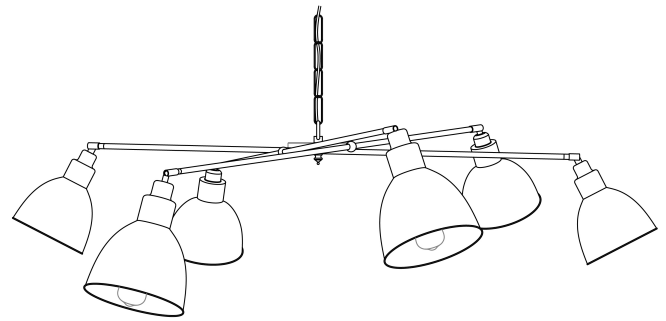




MATERIAL	Brass
HEIGHT	15-23cm
WIDTH DIAMETER	104-124cm
LENGTH PROJECTION	n/a
WEIGHT	6 kg
LAMPHOLDER	E27
MAX WATTAGE	40W
VOLTAGE	220/240v
IP RATING	IP20
CLASS PROTECTION	Class I
SHADE	-
FLEX BAR CHAIN LENGTH	100cm
CABLE TYPE	MLCA013 Clear PVC Flexible Cable 3 Core

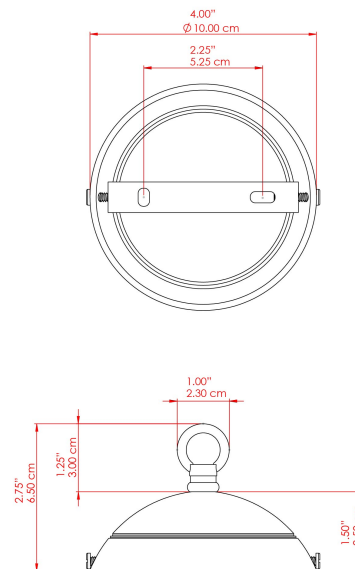
FIXING BRACKET: MLROSE15 | Antique Silver





MATERIAL	Brass
HEIGHT	15-23cm
WIDTH DIAMETER	104-124cm
LENGTH PROJECTION	n/a
WEIGHT	6 kg
LAMPHOLDER	E27
MAX WATTAGE	40W
VOLTAGE	220/240v
IP RATING	IP20
CLASS PROTECTION	Class I
SHADE	-
FLEX BAR CHAIN LENGTH	100cm
CABLE TYPE	MLCA012 Gold PVC Flexible Cable 3 Core

FIXING BRACKET: MLROSE15 | Polished Brass

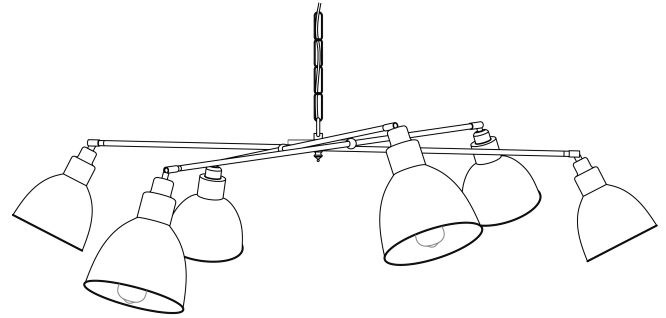


WWW.MULLANLIGHTING.COM

Product Notes:

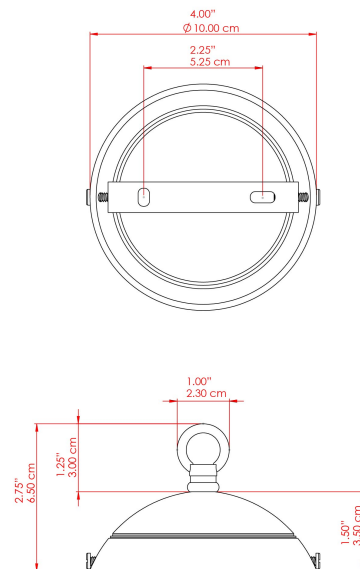
1) Bulbs not included. 2) Dimensions do not include bulbs. 3) All products are individually made-to-order and therefore may differ slightly within manufacturing tolerances. 4) Cable / chain can be shortened during installation. Longer cable / chain lengths available on request. 5) Additional colour finishes may be available on request. 6) Refer to our website for a full list of terms and conditions.





MATERIAL	Brass
HEIGHT	15-23cm
WIDTH DIAMETER	104-124cm
LENGTH PROJECTION	n/a
WEIGHT	6 kg
LAMPHOLDER	E27
MAX WATTAGE	40W
VOLTAGE	220/240v
IP RATING	IP20
CLASS PROTECTION	Class I
SHADE	-
FLEX BAR CHAIN LENGTH	100cm
CABLE TYPE	MLCA012 Gold PVC Flexible Cable 3 Core

FIXING BRACKET: MLROSE15 | Satin Brass



WWW.MULLANLIGHTING.COM

Product Notes:

1) Bulbs not included. 2) Dimensions do not include bulbs. 3) All products are individually made-to-order and therefore may differ slightly within manufacturing tolerances. 4) Cable / chain can be shortened during installation. Longer cable / chain lengths available on request. 5) Additional colour finishes may be available on request. 6) Refer to our website for a full list of terms and conditions.

