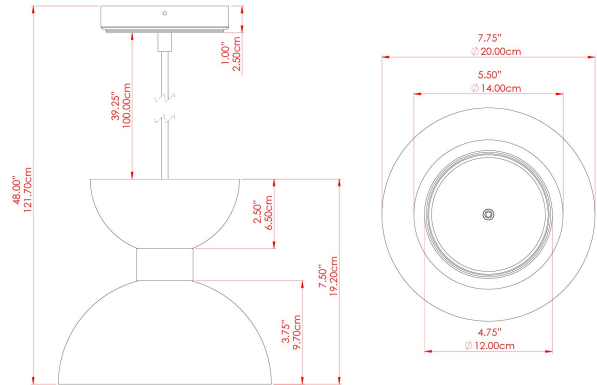


# NAKAI Ceramic Pendant

# MLCMP072ANTBRACL Antique Brass



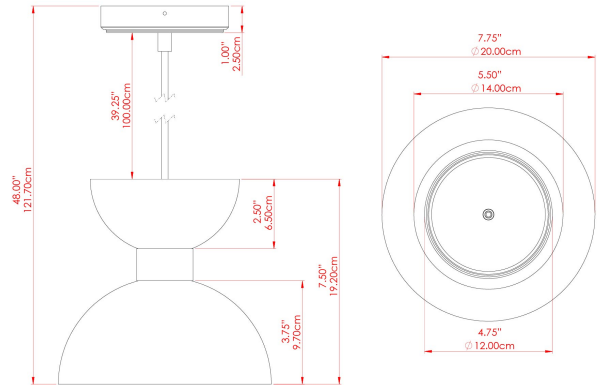
MATERIAL	Brass   Ceramic
HEIGHT	20cm
WIDTH   DIAMETER	20cm
LENGTH   PROJECTION	n/a
WEIGHT	2 kg
LAMPHOLDER	G9
MAX WATTAGE	6.5W
VOLTAGE	220/240v
IP RATING	IP20
CLASS PROTECTION	Class I
SHADE	GL196   MLCS002   MLCS072
FLEX   BAR   CHAIN LENGTH	100cm
CABLE TYPE	MLCA047   Brown Fabric Braided Cable   2 Core Round

### FIXING BRACKET: MLWB17



# NAKAI Ceramic Pendant

# MLCMP072ANTBRSFR Antique Brass



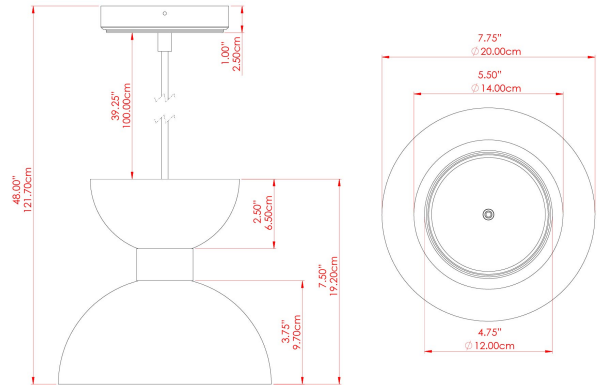
MATERIAL	Brass   Ceramic
HEIGHT	20cm
WIDTH   DIAMETER	20cm
LENGTH   PROJECTION	n/a
WEIGHT	2 kg
LAMPHOLDER	G9
MAX WATTAGE	6.5W
VOLTAGE	220/240v
IP RATING	IP20
CLASS PROTECTION	Class I
SHADE	GL208   MLCS002   MLCS072
FLEX   BAR   CHAIN LENGTH	100cm
CABLE TYPE	MLCA047   Brown Fabric Braided Cable   2 Core Round

### FIXING BRACKET: MLWB17



# NAKAI Ceramic Pendant

# MLCMP072ANTBRSOP Antique Brass



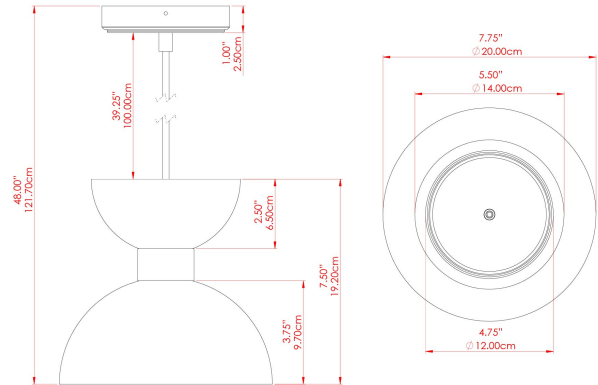
MATERIAL	Brass   Ceramic
HEIGHT	20cm
WIDTH   DIAMETER	20cm
LENGTH   PROJECTION	n/a
WEIGHT	2 kg
LAMPHOLDER	G9
MAX WATTAGE	6.5W
VOLTAGE	220/240v
IP RATING	IP20
CLASS PROTECTION	Class I
SHADE	GL192   MLCS002   MLCS072
FLEX   BAR   CHAIN LENGTH	100cm
CABLE TYPE	MLCA047   Brown Fabric Braided Cable   2 Core Round

### FIXING BRACKET: MLWB17



# NAKAI Ceramic Pendant

# MLCMP072ANTSLVCL Antique Silver



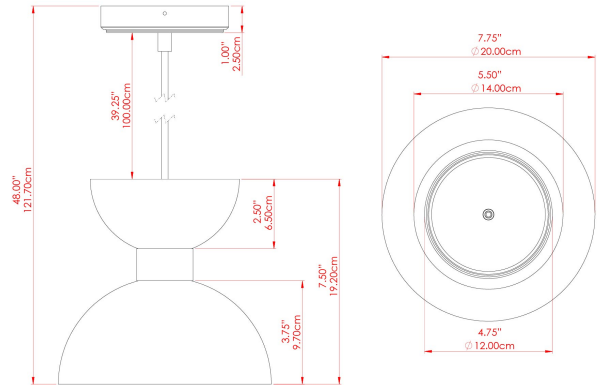
MATERIAL	Brass   Ceramic
HEIGHT	20cm
WIDTH   DIAMETER	20cm
LENGTH   PROJECTION	n/a
WEIGHT	2 kg
LAMPHOLDER	G9
MAX WATTAGE	6.5W
VOLTAGE	220/240v
IP RATING	IP20
CLASS PROTECTION	Class I
SHADE	GL196   MLCS002   MLCS072
FLEX   BAR   CHAIN LENGTH	100cm
CABLE TYPE	MLCA028   Black Fabric Braided Cable   2 Core Round

### FIXING BRACKET: MLWB17



# NAKAI Ceramic Pendant

# MLCMP072ANTSLVFR Antique Silver



MATERIAL	Brass   Ceramic
HEIGHT	20cm
WIDTH   DIAMETER	20cm
LENGTH   PROJECTION	n/a
WEIGHT	2 kg
LAMPHOLDER	G9
MAX WATTAGE	6.5W
VOLTAGE	220/240v
IP RATING	IP20
CLASS PROTECTION	Class I
SHADE	GL208   MLCS002   MLCS072
FLEX   BAR   CHAIN LENGTH	100cm
CABLE TYPE	MLCA028   Black Fabric Braided Cable   2 Core Round

### FIXING BRACKET: MLWB17



WWW.MULLANLIGHTING.COM

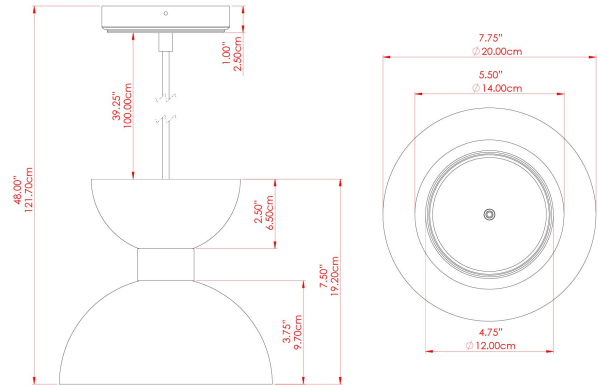
#### Product Notes:

1) Bulbs not included. 2) Dimensions do not include bulbs. 3) All products are individually made-to-order and therefore may differ slightly within manufacturing tolerances. 4) Cable / chain can be shortened during installation. Longer cable / chain lengths available on request. 5) Additional colour finishes may be available on request. 6) Refer to our website for a full list of terms and conditions.



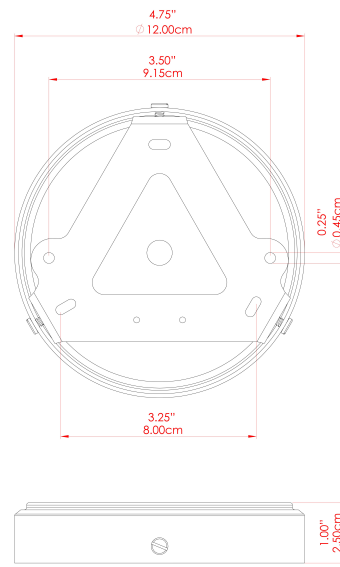
# NAKAI Ceramic Pendant

# MLCMP072ANTSLVOP Antique Silver



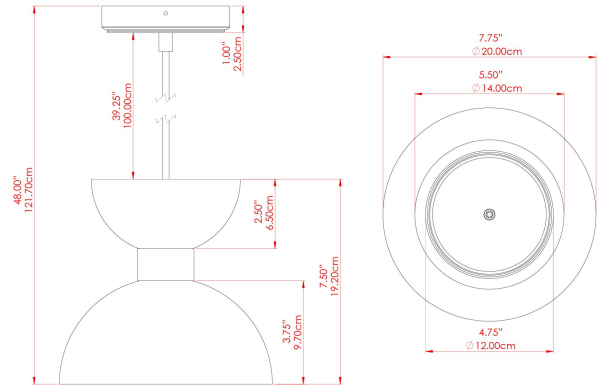
MATERIAL	Brass   Ceramic
HEIGHT	20cm
WIDTH   DIAMETER	20cm
LENGTH   PROJECTION	n/a
WEIGHT	2 kg
LAMPHOLDER	G9
MAX WATTAGE	6.5W
VOLTAGE	220/240v
IP RATING	IP20
CLASS PROTECTION	Class I
SHADE	GL192   MLCS002   MLCS072
FLEX   BAR   CHAIN LENGTH	100cm
CABLE TYPE	MLCA028   Black Fabric Braided Cable   2 Core Round

### FIXING BRACKET: MLWB17



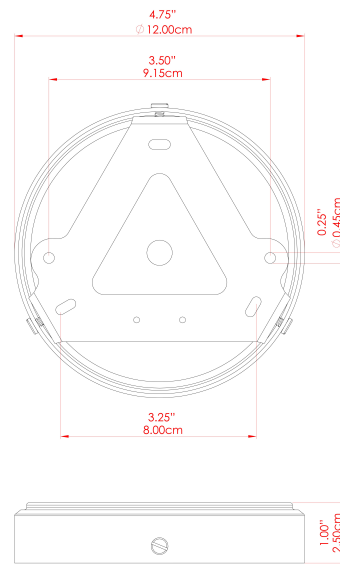
# NAKAI Ceramic Pendant

## MLCMP072PCMBKCL Matt Black



MATERIAL	Brass   Ceramic
HEIGHT	20cm
WIDTH   DIAMETER	20cm
LENGTH   PROJECTION	n/a
WEIGHT	2 kg
LAMPHOLDER	G9
MAX WATTAGE	6.5W
VOLTAGE	220/240v
IP RATING	IP20
CLASS PROTECTION	Class I
SHADE	GL192   MLCS002   MLCS072
FLEX   BAR   CHAIN LENGTH	100cm
CABLE TYPE	MLCA028   Black Fabric Braided Cable   2 Core Round

### FIXING BRACKET: MLWB17



WWW.MULLANLIGHTING.COM

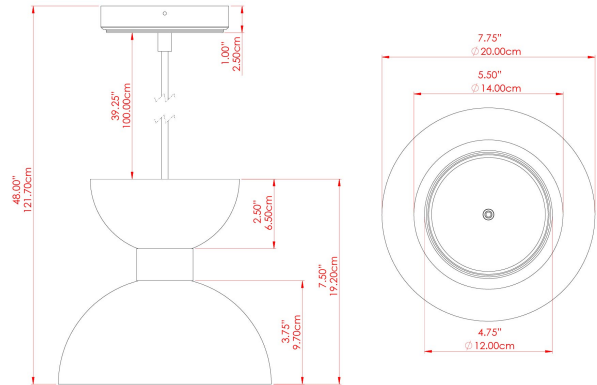
#### Product Notes:

1) Bulbs not included. 2) Dimensions do not include bulbs. 3) All products are individually made-to-order and therefore may differ slightly within manufacturing tolerances. 4) Cable / chain can be shortened during installation. Longer cable / chain lengths available on request. 5) Additional colour finishes may be available on request. 6) Refer to our website for a full list of terms and conditions.



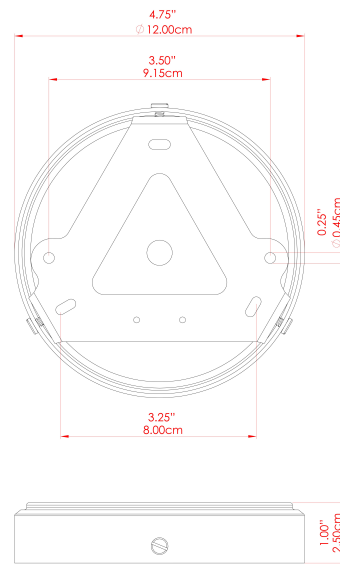
# NAKAI Ceramic Pendant

MLCMP072PCMBKFR Matt Black



MATERIAL	Brass   Ceramic
HEIGHT	20cm
WIDTH   DIAMETER	20cm
LENGTH   PROJECTION	n/a
WEIGHT	2 kg
LAMPHOLDER	G9
MAX WATTAGE	6.5W
VOLTAGE	220/240v
IP RATING	IP20
CLASS PROTECTION	Class I
SHADE	GL192   MLCS002   MLCS072
FLEX   BAR   CHAIN LENGTH	100cm
CABLE TYPE	MLCA028   Black Fabric Braided Cable   2 Core Round

### FIXING BRACKET: MLWB17



WWW.MULLANLIGHTING.COM

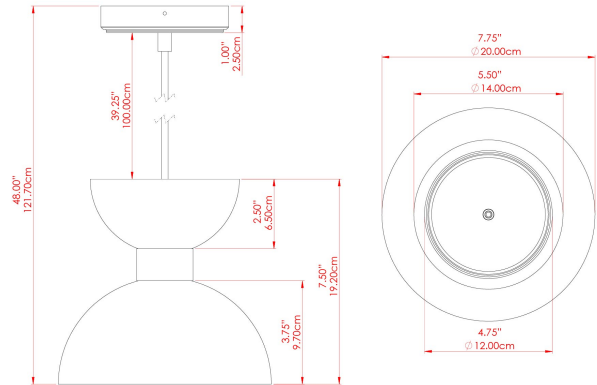
#### Product Notes:

1) Bulbs not included. 2) Dimensions do not include bulbs. 3) All products are individually made-to-order and therefore may differ slightly within manufacturing tolerances. 4) Cable / chain can be shortened during installation. Longer cable / chain lengths available on request. 5) Additional colour finishes may be available on request. 6) Refer to our website for a full list of terms and conditions.



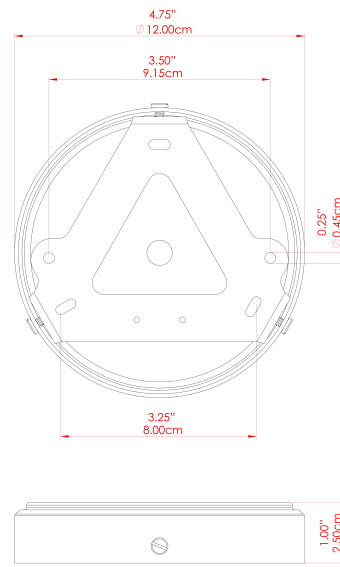
# NAKAI Ceramic Pendant

## MLCMP072PCMBKOP Matt Black



MATERIAL	Brass   Ceramic
HEIGHT	20cm
WIDTH   DIAMETER	20cm
LENGTH   PROJECTION	n/a
WEIGHT	2 kg
LAMPHOLDER	G9
MAX WATTAGE	6.5W
VOLTAGE	220/240v
IP RATING	IP20
CLASS PROTECTION	Class I
SHADE	GL192   MLCS002   MLCS072
FLEX   BAR   CHAIN LENGTH	100cm
CABLE TYPE	MLCA028   Black Fabric Braided Cable   2 Core Round

### FIXING BRACKET: MLWB17



WWW.MULLANLIGHTING.COM

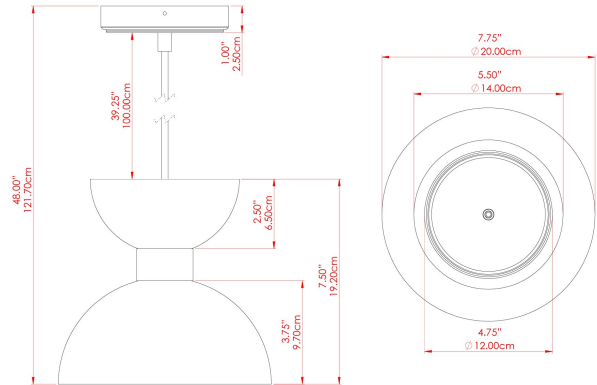
#### Product Notes:

1) Bulbs not included. 2) Dimensions do not include bulbs. 3) All products are individually made-to-order and therefore may differ slightly within manufacturing tolerances. 4) Cable / chain can be shortened during installation. Longer cable / chain lengths available on request. 5) Additional colour finishes may be available on request. 6) Refer to our website for a full list of terms and conditions.



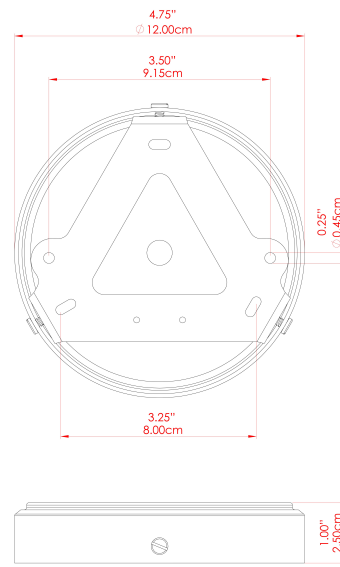
# NAKAI Ceramic Pendant

# MLCMP072POLBRSFR Polished Brass



MATERIAL	Brass   Ceramic
HEIGHT	20cm
WIDTH   DIAMETER	20cm
LENGTH   PROJECTION	n/a
WEIGHT	2 kg
LAMPHOLDER	G9
MAX WATTAGE	6.5W
VOLTAGE	220/240v
IP RATING	IP20
CLASS PROTECTION	Class I
SHADE	GL192   MLCS002   MLCS072
FLEX   BAR   CHAIN LENGTH	100cm
CABLE TYPE	MLCA028   Black Fabric Braided Cable   2 Core Round

### FIXING BRACKET: MLWB17



WWW.MULLANLIGHTING.COM

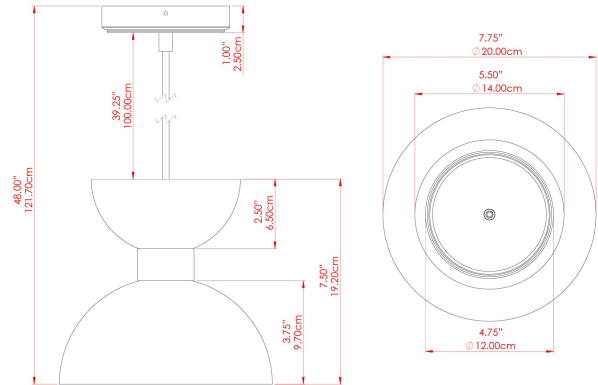
#### Product Notes:

1) Bulbs not included. 2) Dimensions do not include bulbs. 3) All products are individually made-to-order and therefore may differ slightly within manufacturing tolerances. 4) Cable / chain can be shortened during installation. Longer cable / chain lengths available on request. 5) Additional colour finishes may be available on request. 6) Refer to our website for a full list of terms and conditions.



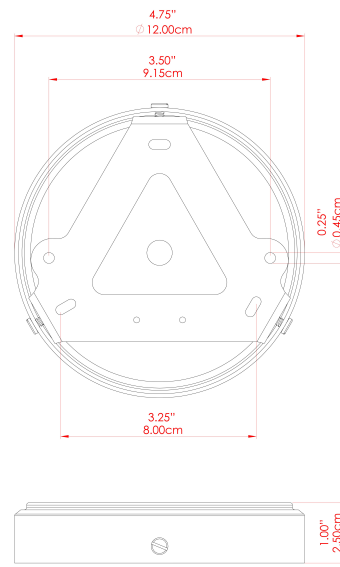
# NAKAI Ceramic Pendant

# MLCMP072POLBRSC Polished Brass



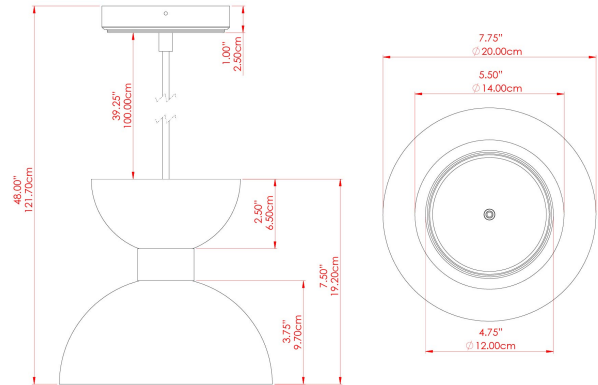
MATERIAL	Brass   Ceramic
HEIGHT	20cm
WIDTH   DIAMETER	20cm
LENGTH   PROJECTION	n/a
WEIGHT	2 kg
LAMPHOLDER	G9
MAX WATTAGE	6.5W
VOLTAGE	220/240v
IP RATING	IP20
CLASS PROTECTION	Class I
SHADE	GL192   MLCS002   MLCS072
FLEX   BAR   CHAIN LENGTH	100cm
CABLE TYPE	MLCA028   Black Fabric Braided Cable   2 Core Round

### FIXING BRACKET: MLWB17



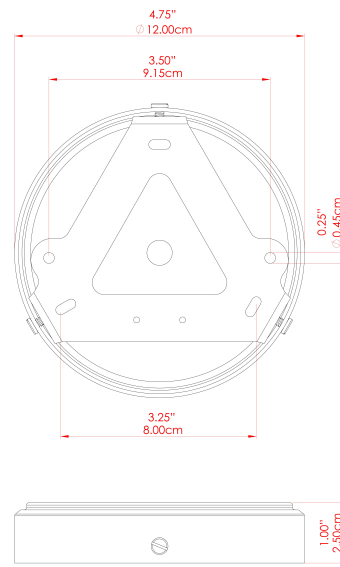
# NAKAI Ceramic Pendant

MLCMP072POLBRSOP Polished Brass



MATERIAL	Brass   Ceramic
HEIGHT	20cm
WIDTH   DIAMETER	20cm
LENGTH   PROJECTION	n/a
WEIGHT	2 kg
LAMPHOLDER	G9
MAX WATTAGE	6.5W
VOLTAGE	220/240v
IP RATING	IP20
CLASS PROTECTION	Class I
SHADE	GL192   MLCS002   MLCS072
FLEX   BAR   CHAIN LENGTH	100cm
CABLE TYPE	MLCA028   Black Fabric Braided Cable   2 Core Round

### FIXING BRACKET: MLWB17



WWW.MULLANLIGHTING.COM

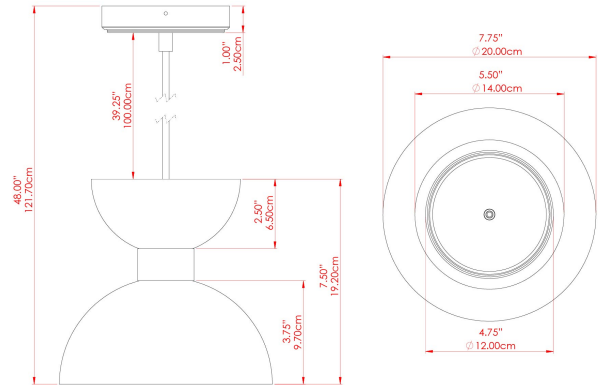
#### Product Notes:

1) Bulbs not included. 2) Dimensions do not include bulbs. 3) All products are individually made-to-order and therefore may differ slightly within manufacturing tolerances. 4) Cable / chain can be shortened during installation. Longer cable / chain lengths available on request. 5) Additional colour finishes may be available on request. 6) Refer to our website for a full list of terms and conditions.



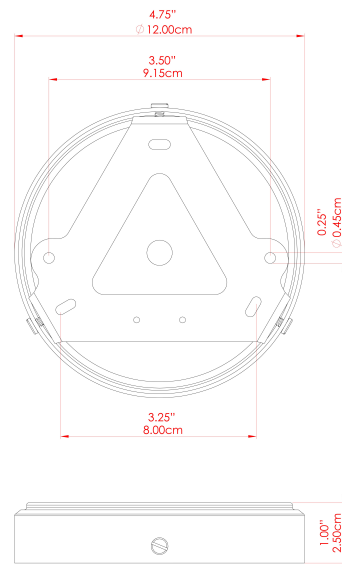
# NAKAI Ceramic Pendant

MLCMP072SATBRSL Satin Brass



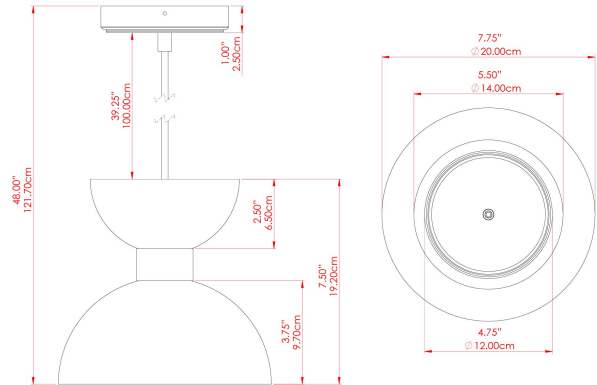
MATERIAL	Brass   Ceramic
HEIGHT	20cm
WIDTH   DIAMETER	20cm
LENGTH   PROJECTION	n/a
WEIGHT	2 kg
LAMPHOLDER	G9
MAX WATTAGE	6.5W
VOLTAGE	220/240v
IP RATING	IP20
CLASS PROTECTION	Class I
SHADE	GL192   MLCS002   MLCS072
FLEX   BAR   CHAIN LENGTH	100cm
CABLE TYPE	MLCA028   Black Fabric Braided Cable   2 Core Round

### FIXING BRACKET: MLWB17



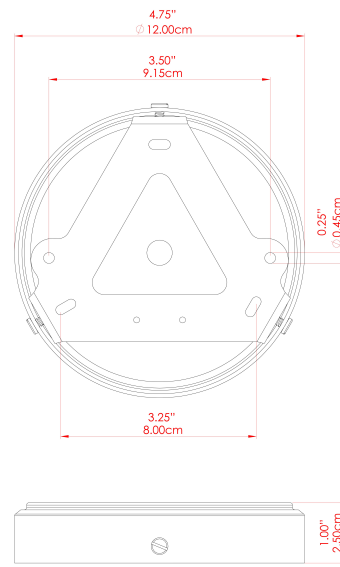
# NAKAI Ceramic Pendant

MLCMP072SATBRSFR Satin Brass



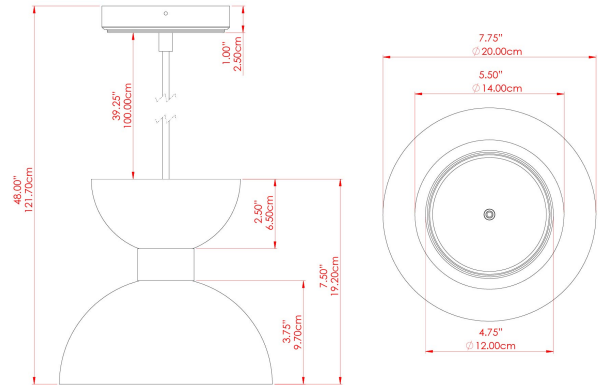
MATERIAL	Brass   Ceramic
HEIGHT	20cm
WIDTH   DIAMETER	20cm
LENGTH   PROJECTION	n/a
WEIGHT	2 kg
LAMPHOLDER	G9
MAX WATTAGE	6.5W
VOLTAGE	220/240v
IP RATING	IP20
CLASS PROTECTION	Class I
SHADE	GL192   MLCS002   MLCS072
FLEX   BAR   CHAIN LENGTH	100cm
CABLE TYPE	MLCA028   Black Fabric Braided Cable   2 Core Round

### FIXING BRACKET: MLWB17



# NAKAI Ceramic Pendant

## MLCMP072SATBRSOP Satin Brass



MATERIAL	Brass   Ceramic
HEIGHT	20cm
WIDTH   DIAMETER	20cm
LENGTH   PROJECTION	n/a
WEIGHT	2 kg
LAMPHOLDER	G9
MAX WATTAGE	6.5W
VOLTAGE	220/240v
IP RATING	IP20
CLASS PROTECTION	Class I
SHADE	GL192   MLCS002   MLCS072
FLEX   BAR   CHAIN LENGTH	100cm
CABLE TYPE	MLCA028   Black Fabric Braided Cable   2 Core Round

### FIXING BRACKET: MLWB17

