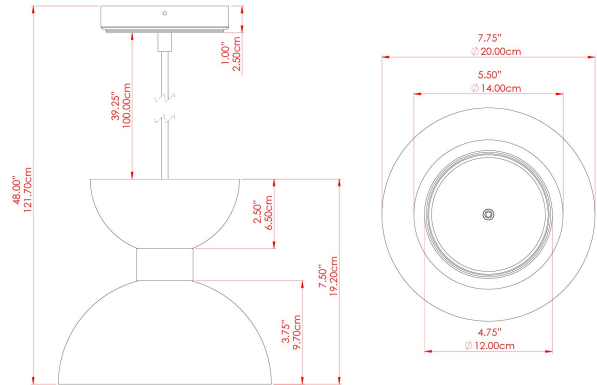


NAKAI Ceramic Pendant

MLCMP071ANTBRSC Antique Brass



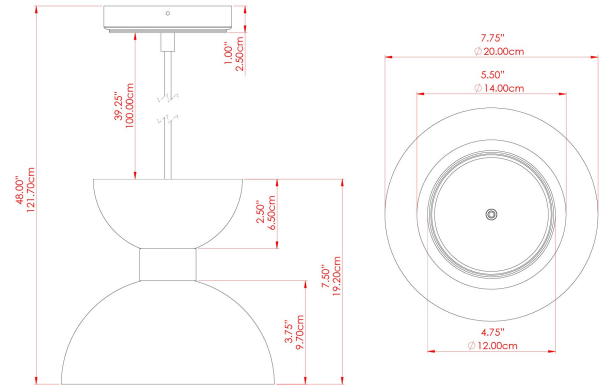
MATERIAL	Brass Ceramic
HEIGHT	20cm
WIDTH DIAMETER	20cm
LENGTH PROJECTION	n/a
WEIGHT	2 kg
LAMPHOLDER	G9
MAX WATTAGE	6.5W
VOLTAGE	220/240v
IP RATING	IP20
CLASS PROTECTION	Class I
SHADE	GL196 MLCS003 MLCS071
FLEX BAR CHAIN LENGTH	100cm
CABLE TYPE	MLCA047 Brown Fabric Braided Cable 2 Core Round

FIXING BRACKET: MLWB17



NAKAI Ceramic Pendant

MLCMP071ANTBRSFR Antique Brass



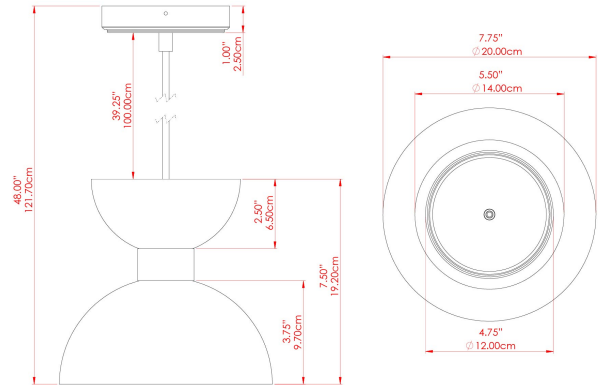
MATERIAL	Brass Ceramic
HEIGHT	20cm
WIDTH DIAMETER	20cm
LENGTH PROJECTION	n/a
WEIGHT	2 kg
LAMPHOLDER	G9
MAX WATTAGE	6.5W
VOLTAGE	220/240v
IP RATING	IP20
CLASS PROTECTION	Class I
SHADE	GL208 MLCS003 MLCS071
FLEX BAR CHAIN LENGTH	100cm
CABLE TYPE	MLCA047 Brown Fabric Braided Cable 2 Core Round

FIXING BRACKET: MLWB17



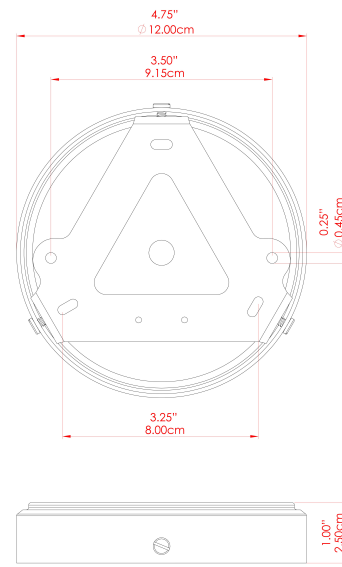
NAKAI Ceramic Pendant

MLCMP071ANTBRSOP Antique Brass



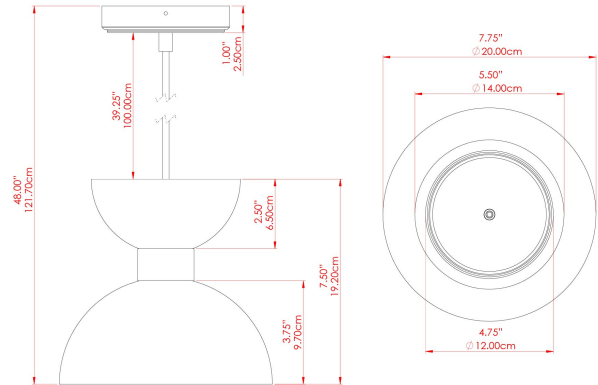
MATERIAL	Brass Ceramic
HEIGHT	20cm
WIDTH DIAMETER	20cm
LENGTH PROJECTION	n/a
WEIGHT	2 kg
LAMPHOLDER	G9
MAX WATTAGE	6.5W
VOLTAGE	220/240v
IP RATING	IP20
CLASS PROTECTION	Class I
SHADE	GL192 MLCS003 MLCS071
FLEX BAR CHAIN LENGTH	100cm
CABLE TYPE	MLCA047 Brown Fabric Braided Cable 2 Core Round

FIXING BRACKET: MLWB17



NAKAI Ceramic Pendant

MLCMP071ANTSLVCL Antique Silver



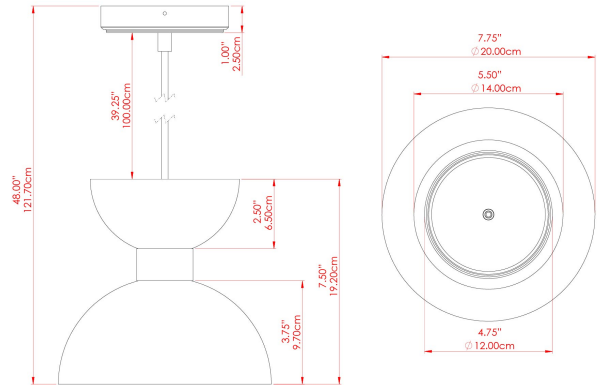
MATERIAL	Brass Ceramic
HEIGHT	20cm
WIDTH DIAMETER	20cm
LENGTH PROJECTION	n/a
WEIGHT	2 kg
LAMPHOLDER	G9
MAX WATTAGE	6.5W
VOLTAGE	220/240v
IP RATING	IP20
CLASS PROTECTION	Class I
SHADE	GL196 MLCS003 MLCS071
FLEX BAR CHAIN LENGTH	100cm
CABLE TYPE	MLCA028 Black Fabric Braided Cable 2 Core Round

FIXING BRACKET: MLWB17



NAKAI Ceramic Pendant

MLCMP071ANTSLVFR Antique Silver



MATERIAL	Brass Ceramic
HEIGHT	20cm
WIDTH DIAMETER	20cm
LENGTH PROJECTION	n/a
WEIGHT	2 kg
LAMPHOLDER	G9
MAX WATTAGE	6.5W
VOLTAGE	220/240v
IP RATING	IP20
CLASS PROTECTION	Class I
SHADE	GL208 MLCS003 MLCS071
FLEX BAR CHAIN LENGTH	100cm
CABLE TYPE	MLCA028 Black Fabric Braided Cable 2 Core Round

FIXING BRACKET: MLWB17



WWW.MULLANLIGHTING.COM

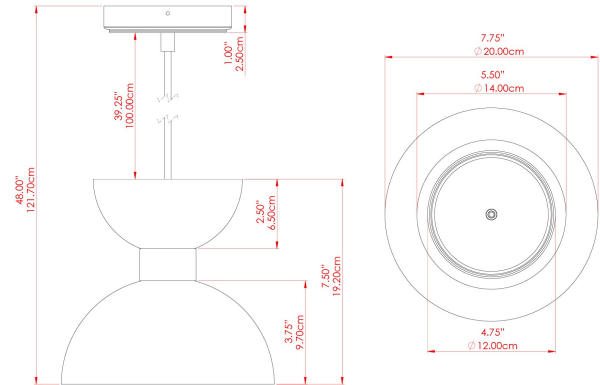
Product Notes:

1) Bulbs not included. 2) Dimensions do not include bulbs. 3) All products are individually made-to-order and therefore may differ slightly within manufacturing tolerances. 4) Cable / chain can be shortened during installation. Longer cable / chain lengths available on request. 5) Additional colour finishes may be available on request. 6) Refer to our website for a full list of terms and conditions.



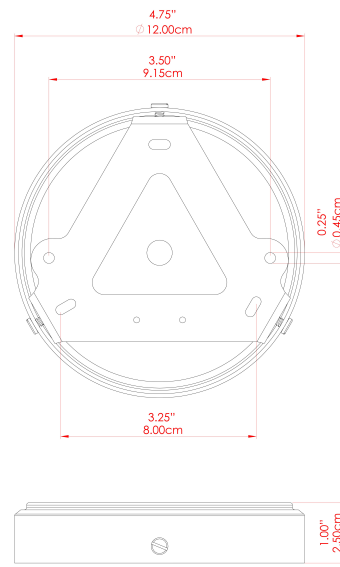
NAKAI Ceramic Pendant

MLCMP071ANTSLVOP Antique Silver



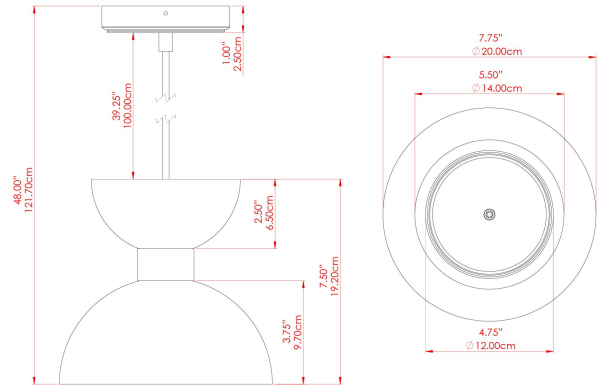
MATERIAL	Brass Ceramic
HEIGHT	20cm
WIDTH DIAMETER	20cm
LENGTH PROJECTION	n/a
WEIGHT	2 kg
LAMPHOLDER	G9
MAX WATTAGE	6.5W
VOLTAGE	220/240v
IP RATING	IP20
CLASS PROTECTION	Class I
SHADE	GL192 MLCS003 MLCS071
FLEX BAR CHAIN LENGTH	100cm
CABLE TYPE	MLCA028 Black Fabric Braided Cable 2 Core Round

FIXING BRACKET: MLWB17



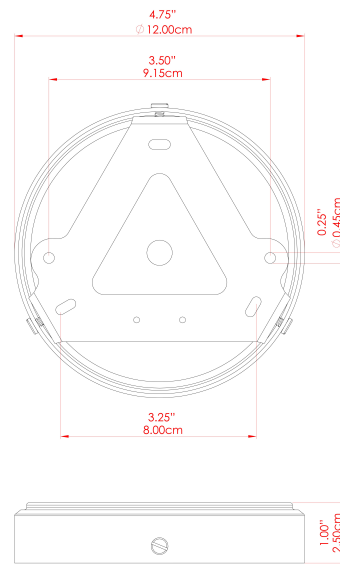
NAKAI Ceramic Pendant

MLCMP071PCMBKCL Matt Black



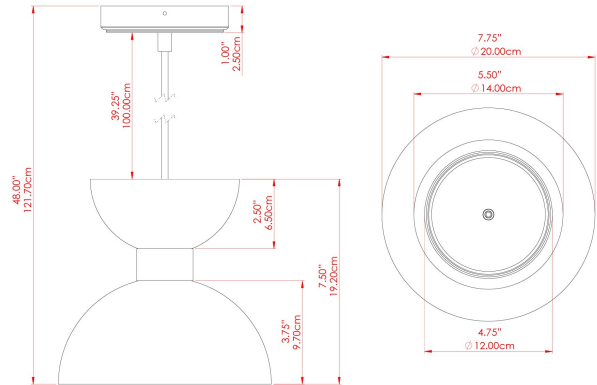
MATERIAL	Brass Ceramic
HEIGHT	20cm
WIDTH DIAMETER	20cm
LENGTH PROJECTION	n/a
WEIGHT	2 kg
LAMPHOLDER	G9
MAX WATTAGE	6.5W
VOLTAGE	220/240v
IP RATING	IP20
CLASS PROTECTION	Class I
SHADE	GL196 MLCS003 MLCS071
FLEX BAR CHAIN LENGTH	100cm
CABLE TYPE	MLCA028 Black Fabric Braided Cable 2 Core Round

FIXING BRACKET: MLWB17



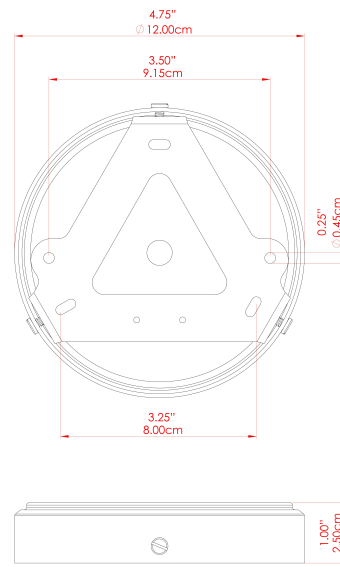
NAKAI Ceramic Pendant

MLCMP071PCMBKFR Matt Black



MATERIAL	Brass Ceramic
HEIGHT	20cm
WIDTH DIAMETER	20cm
LENGTH PROJECTION	n/a
WEIGHT	2 kg
LAMPHOLDER	G9
MAX WATTAGE	6.5W
VOLTAGE	220/240v
IP RATING	IP20
CLASS PROTECTION	Class I
SHADE	GL208 MLCS003 MLCS071
FLEX BAR CHAIN LENGTH	100cm
CABLE TYPE	MLCA028 Black Fabric Braided Cable 2 Core Round

FIXING BRACKET: MLWB17



WWW.MULLANLIGHTING.COM

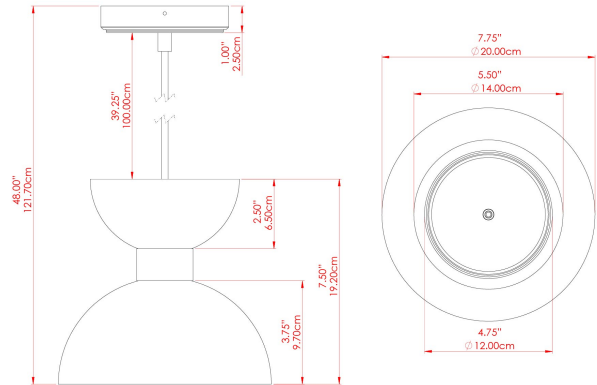
Product Notes:

1) Bulbs not included. 2) Dimensions do not include bulbs. 3) All products are individually made-to-order and therefore may differ slightly within manufacturing tolerances. 4) Cable / chain can be shortened during installation. Longer cable / chain lengths available on request. 5) Additional colour finishes may be available on request. 6) Refer to our website for a full list of terms and conditions.



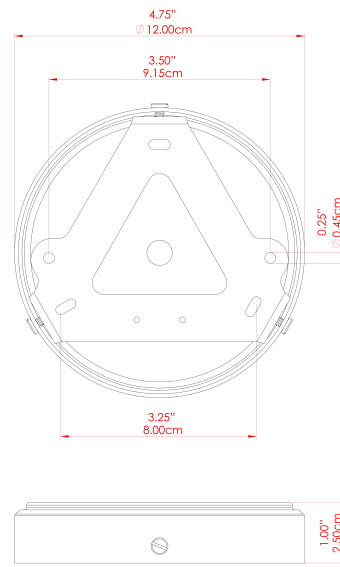
NAKAI Ceramic Pendant

MLCMP071PCMBKOP Matt Black



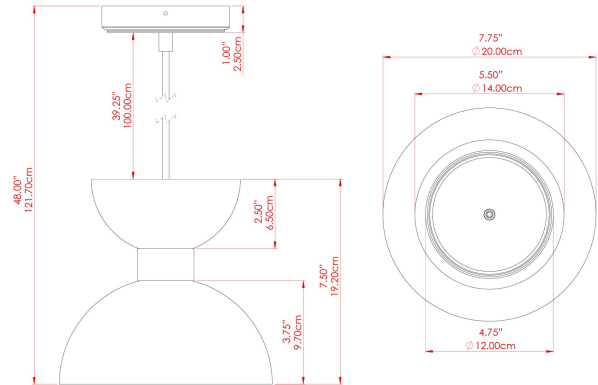
MATERIAL	Brass Ceramic
HEIGHT	20cm
WIDTH DIAMETER	20cm
LENGTH PROJECTION	n/a
WEIGHT	2 kg
LAMPHOLDER	G9
MAX WATTAGE	6.5W
VOLTAGE	220/240v
IP RATING	IP20
CLASS PROTECTION	Class I
SHADE	GL192 MLCS003 MLCS071
FLEX BAR CHAIN LENGTH	100cm
CABLE TYPE	MLCA028 Black Fabric Braided Cable 2 Core Round

FIXING BRACKET: MLWB17



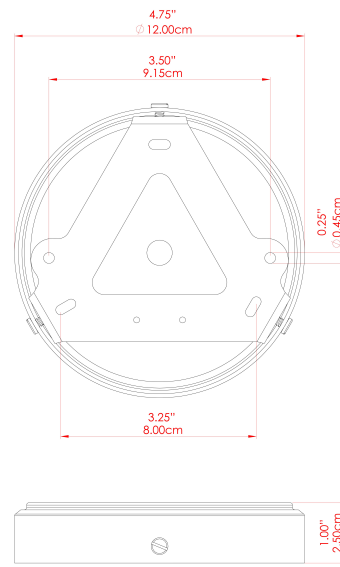
NAKAI Ceramic Pendant

MLCMP071POLBRSC Polished Brass



MATERIAL	Brass Ceramic
HEIGHT	20cm
WIDTH DIAMETER	20cm
LENGTH PROJECTION	n/a
WEIGHT	2 kg
LAMPHOLDER	G9
MAX WATTAGE	6.5W
VOLTAGE	220/240v
IP RATING	IP20
CLASS PROTECTION	Class I
SHADE	GL196 MLCS003 MLCS071
FLEX BAR CHAIN LENGTH	100cm
CABLE TYPE	MLCA028 Black Fabric Braided Cable 2 Core Round

FIXING BRACKET: MLWB17



WWW.MULLANLIGHTING.COM

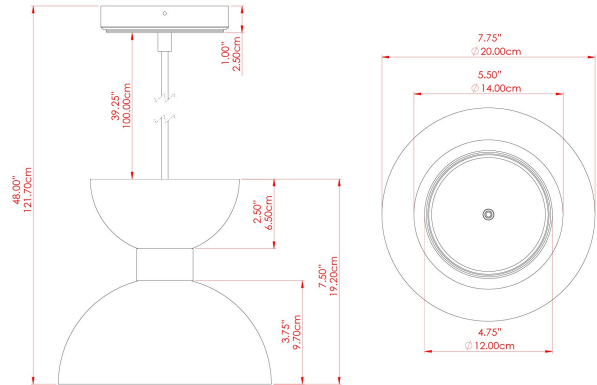
Product Notes:

1) Bulbs not included. 2) Dimensions do not include bulbs. 3) All products are individually made-to-order and therefore may differ slightly within manufacturing tolerances. 4) Cable / chain can be shortened during installation. Longer cable / chain lengths available on request. 5) Additional colour finishes may be available on request. 6) Refer to our website for a full list of terms and conditions.



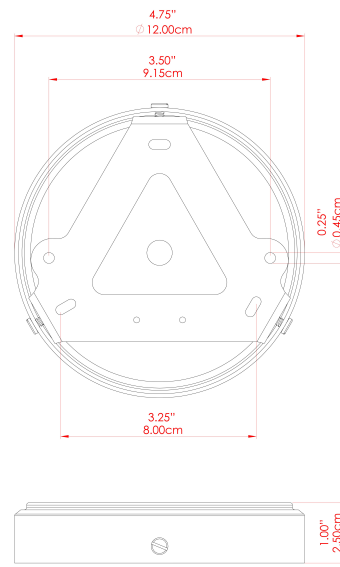
NAKAI Ceramic Pendant

MLCMP071POLBRSFR Polished Brass



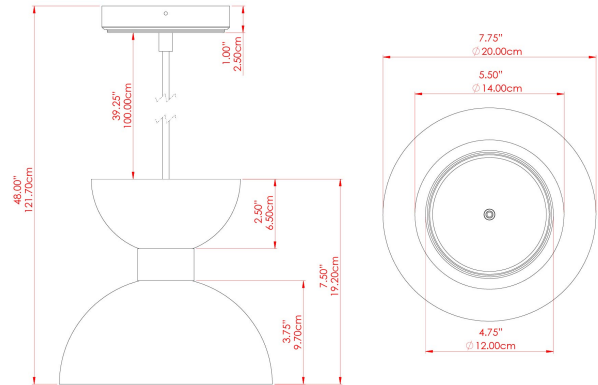
MATERIAL	Brass Ceramic
HEIGHT	20cm
WIDTH DIAMETER	20cm
LENGTH PROJECTION	n/a
WEIGHT	2 kg
LAMPHOLDER	G9
MAX WATTAGE	6.5W
VOLTAGE	220/240v
IP RATING	IP20
CLASS PROTECTION	Class I
SHADE	GL208 MLCS003 MLCS071
FLEX BAR CHAIN LENGTH	100cm
CABLE TYPE	MLCA028 Black Fabric Braided Cable 2 Core Round

FIXING BRACKET: MLWB17



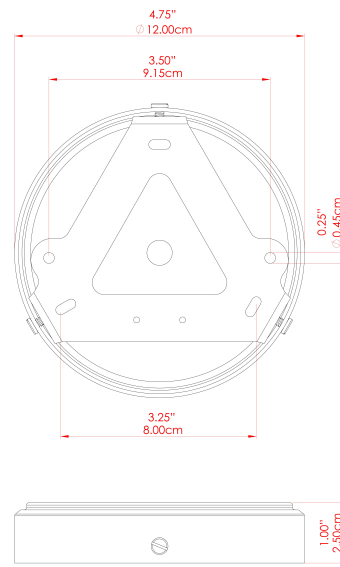
NAKAI Ceramic Pendant

MLCMP071POLBRSOP Polished Brass



MATERIAL	Brass Ceramic
HEIGHT	20cm
WIDTH DIAMETER	20cm
LENGTH PROJECTION	n/a
WEIGHT	2 kg
LAMPHOLDER	G9
MAX WATTAGE	6.5W
VOLTAGE	220/240v
IP RATING	IP20
CLASS PROTECTION	Class I
SHADE	GL192 MLCS003 MLCS071
FLEX BAR CHAIN LENGTH	100cm
CABLE TYPE	MLCA028 Black Fabric Braided Cable 2 Core Round

FIXING BRACKET: MLWB17



WWW.MULLANLIGHTING.COM

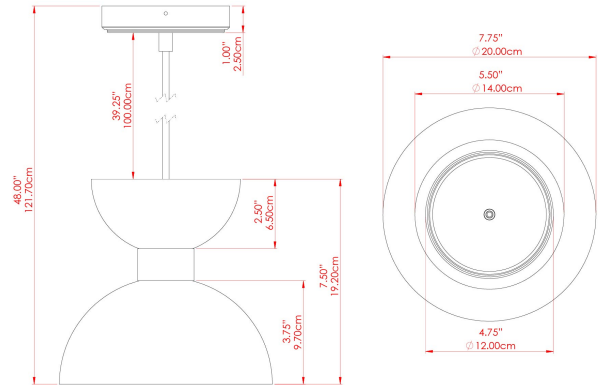
Product Notes:

1) Bulbs not included. 2) Dimensions do not include bulbs. 3) All products are individually made-to-order and therefore may differ slightly within manufacturing tolerances. 4) Cable / chain can be shortened during installation. Longer cable / chain lengths available on request. 5) Additional colour finishes may be available on request. 6) Refer to our website for a full list of terms and conditions.



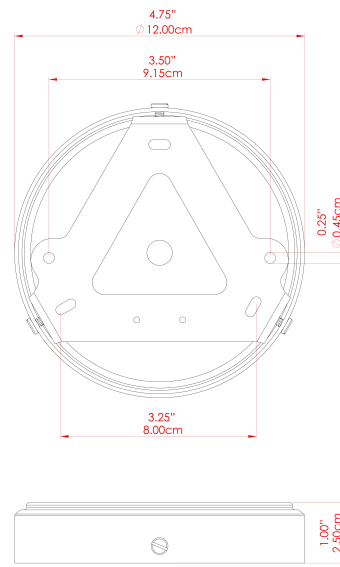
NAKAI Ceramic Pendant

MLCMP071SATBRSL Satin Brass



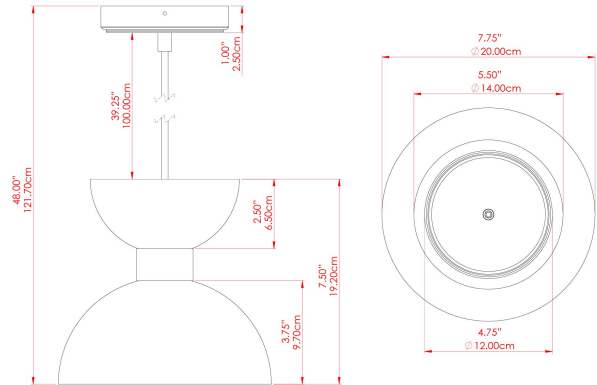
MATERIAL	Brass Ceramic
HEIGHT	20cm
WIDTH DIAMETER	20cm
LENGTH PROJECTION	n/a
WEIGHT	2 kg
LAMPHOLDER	G9
MAX WATTAGE	6.5W
VOLTAGE	220/240v
IP RATING	IP20
CLASS PROTECTION	Class I
SHADE	GL196 MLCS003 MLCS071
FLEX BAR CHAIN LENGTH	100cm
CABLE TYPE	MLCA028 Black Fabric Braided Cable 2 Core Round

FIXING BRACKET: MLWB17



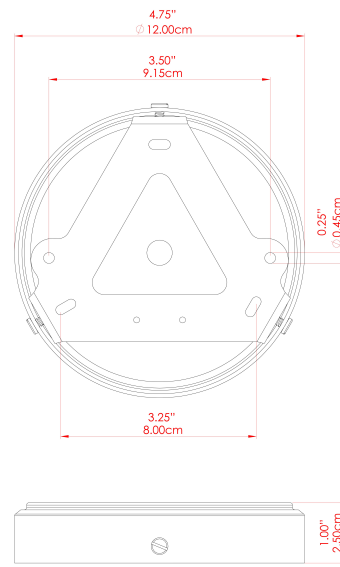
NAKAI Ceramic Pendant

MLCMP071SATBRSFR Satin Brass



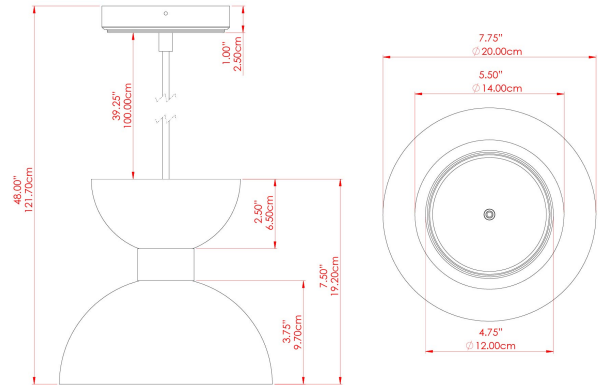
MATERIAL	Brass Ceramic
HEIGHT	20cm
WIDTH DIAMETER	20cm
LENGTH PROJECTION	n/a
WEIGHT	2 kg
LAMPHOLDER	G9
MAX WATTAGE	6.5W
VOLTAGE	220/240v
IP RATING	IP20
CLASS PROTECTION	Class I
SHADE	GL208 MLCS003 MLCS071
FLEX BAR CHAIN LENGTH	100cm
CABLE TYPE	MLCA028 Black Fabric Braided Cable 2 Core Round

FIXING BRACKET: MLWB17



NAKAI Ceramic Pendant

MLCMP071SATBRSOP Satin Brass



MATERIAL	Brass Ceramic
HEIGHT	20cm
WIDTH DIAMETER	20cm
LENGTH PROJECTION	n/a
WEIGHT	2 kg
LAMPHOLDER	G9
MAX WATTAGE	6.5W
VOLTAGE	220/240v
IP RATING	IP20
CLASS PROTECTION	Class I
SHADE	GL192 MLCS003 MLCS071
FLEX BAR CHAIN LENGTH	100cm
CABLE TYPE	MLCA028 Black Fabric Braided Cable 2 Core Round

FIXING BRACKET: MLWB17

