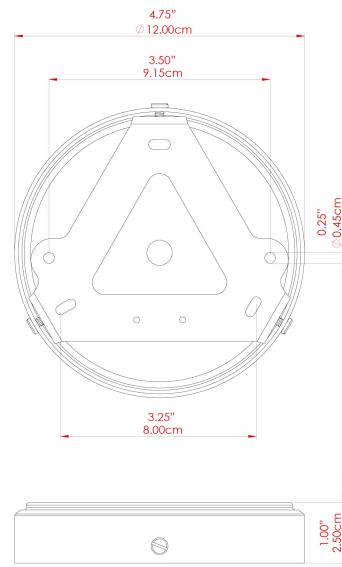
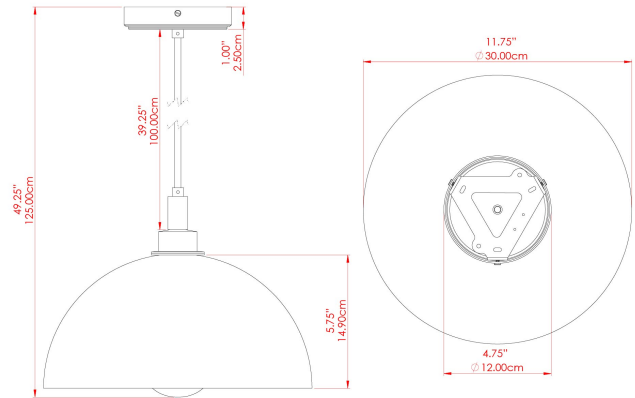


MATERIAL	Brass Glass
HEIGHT	22cm
WIDTH DIAMETER	30cm
LENGTH PROJECTION	n/a
WEIGHT	1.8 kg
LAMPHOLDER	E27
MAX WATTAGE	6.5W
VOLTAGE	220/240v
IP RATING	IP65
CLASS PROTECTION	Class II
SHADE	GLWP01
FLEX BAR CHAIN LENGTH	100cm
CABLE TYPE	MLOCA001 Brown Fabric Braided Outdoor Rubber Cable 2 Core Round

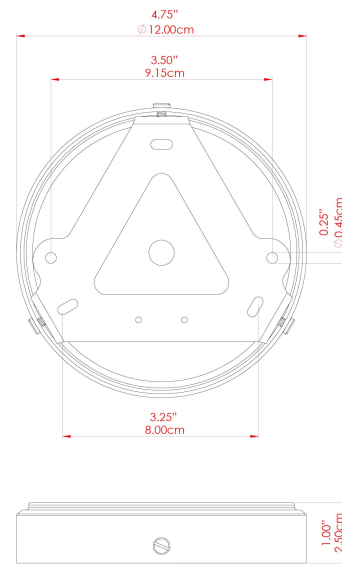
FIXING BRACKET: MLROSE39 | Antique Brass

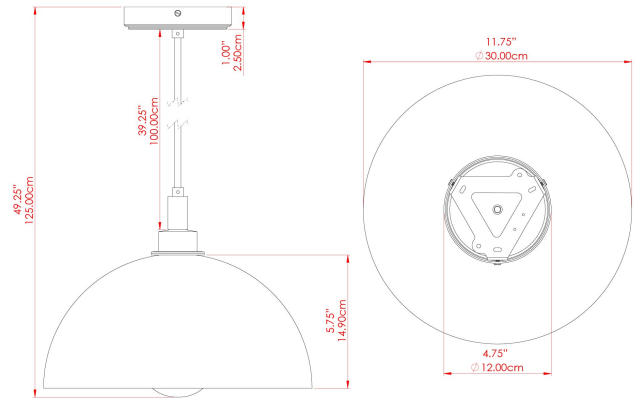




MATERIAL	Brass Glass
HEIGHT	22cm
WIDTH DIAMETER	30cm
LENGTH PROJECTION	n/a
WEIGHT	1.8 kg
LAMPHOLDER	E27
MAX WATTAGE	6.5W
VOLTAGE	220/240v
IP RATING	IP65
CLASS PROTECTION	Class II
SHADE	GLWP02
FLEX BAR CHAIN LENGTH	100cm
CABLE TYPE	MLOCA001 Brown Fabric Braided Outdoor Rubber Cable 2 Core Round

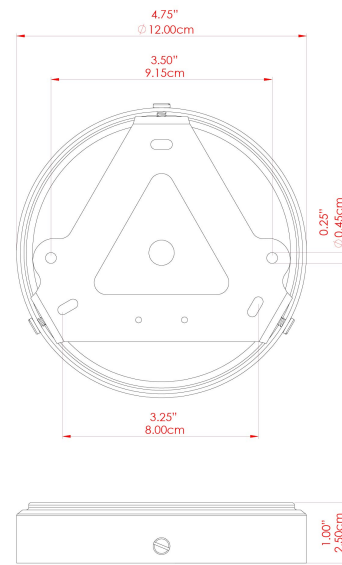
FIXING BRACKET: MLROSE39 | Antique Brass

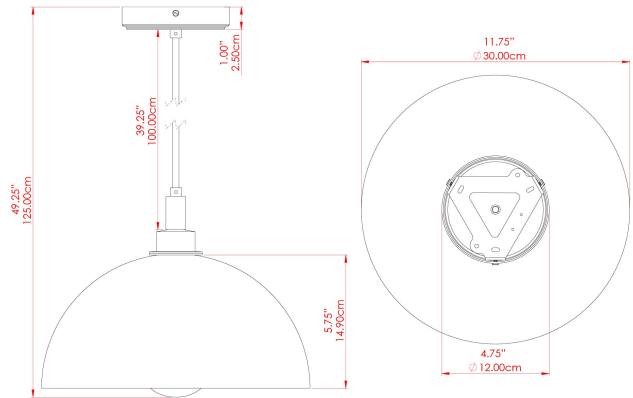




MATERIAL	Brass Glass
HEIGHT	22cm
WIDTH DIAMETER	30cm
LENGTH PROJECTION	n/a
WEIGHT	1.8 kg
LAMPHOLDER	E27
MAX WATTAGE	6.5W
VOLTAGE	220/240v
IP RATING	IP65
CLASS PROTECTION	Class II
SHADE	GLWP01
FLEX BAR CHAIN LENGTH	100cm
CABLE TYPE	MLOCA002 Black Fabric Braided Outdoor Rubber Cable 2 Core Round

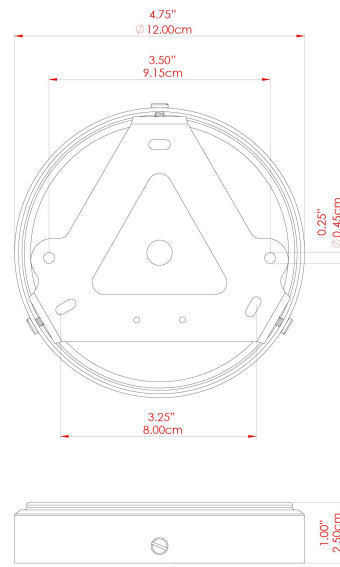
FIXING BRACKET: MLROSE39 | Antique Silver

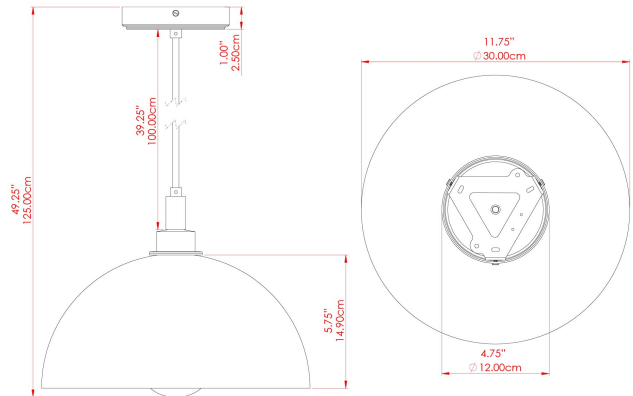




MATERIAL	Brass Glass
HEIGHT	22cm
WIDTH DIAMETER	30cm
LENGTH PROJECTION	n/a
WEIGHT	1.8 kg
LAMPHOLDER	E27
MAX WATTAGE	6.5W
VOLTAGE	220/240v
IP RATING	IP65
CLASS PROTECTION	Class II
SHADE	GLWP02
FLEX BAR CHAIN LENGTH	100cm
CABLE TYPE	MLOCA002 Black Fabric Braided Outdoor Rubber Cable 2 Core Round

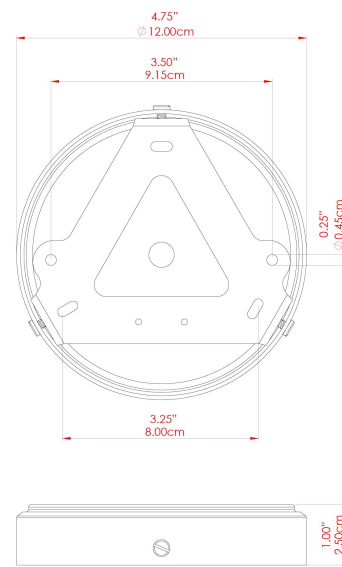
FIXING BRACKET: MLROSE39 | Antique Silver

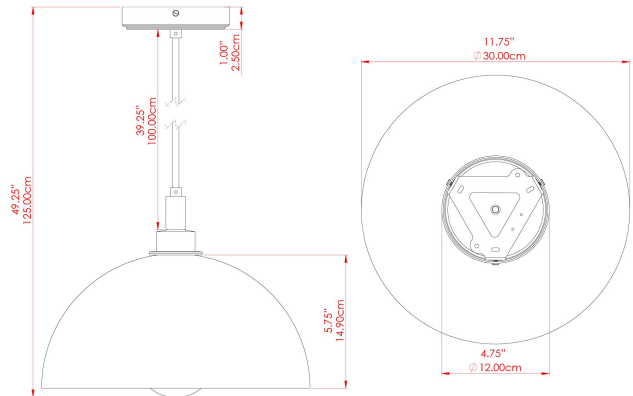




MATERIAL	Brass Glass
HEIGHT	22cm
WIDTH DIAMETER	30cm
LENGTH PROJECTION	n/a
WEIGHT	1.8 kg
LAMPHOLDER	E27
MAX WATTAGE	6.5W
VOLTAGE	220/240v
IP RATING	IP65
CLASS PROTECTION	Class II
SHADE	GLWP01
FLEX BAR CHAIN LENGTH	100cm
CABLE TYPE	MLOCA002 Black Fabric Braided Outdoor Rubber Cable 2 Core Round

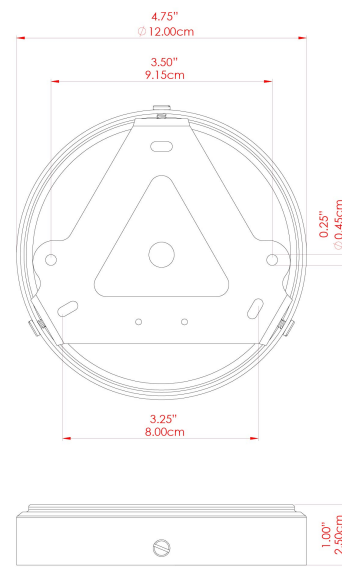
FIXING BRACKET: MLROSE39 | Matt Black

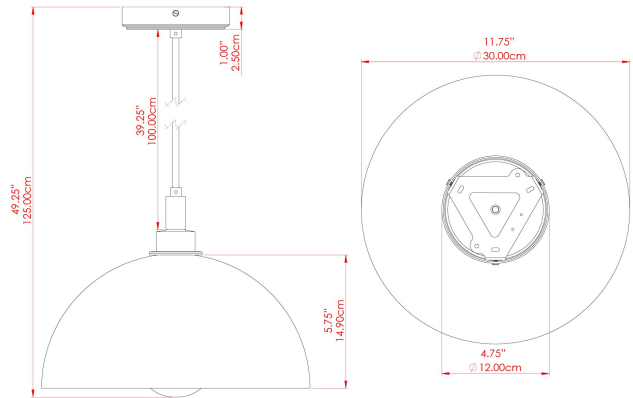




MATERIAL	Brass Glass
HEIGHT	22cm
WIDTH DIAMETER	30cm
LENGTH PROJECTION	n/a
WEIGHT	1.8 kg
LAMPHOLDER	E27
MAX WATTAGE	6.5W
VOLTAGE	220/240v
IP RATING	IP65
CLASS PROTECTION	Class II
SHADE	GLWP02
FLEX BAR CHAIN LENGTH	100cm
CABLE TYPE	MLOCA002 Black Fabric Braided Outdoor Rubber Cable 2 Core Round

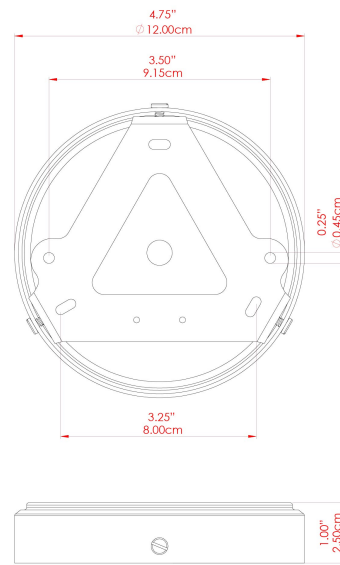
FIXING BRACKET: MLROSE39 | Matt Black

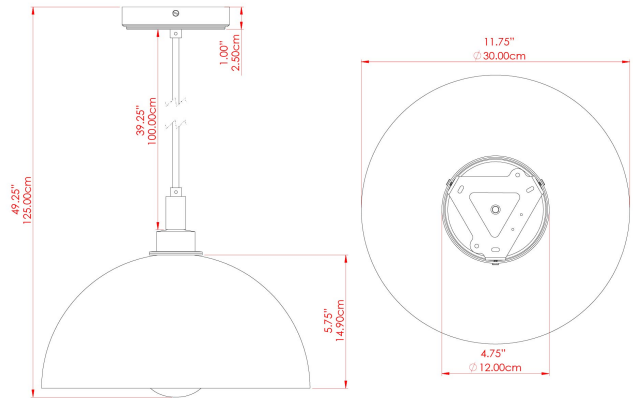




MATERIAL	Brass Glass
HEIGHT	22cm
WIDTH DIAMETER	30cm
LENGTH PROJECTION	n/a
WEIGHT	1.8 kg
LAMPHOLDER	E27
MAX WATTAGE	6.5W
VOLTAGE	220/240v
IP RATING	IP65
CLASS PROTECTION	Class II
SHADE	GLWP02
FLEX BAR CHAIN LENGTH	100cm
CABLE TYPE	MLOCA002 Black Fabric Braided Outdoor Rubber Cable 2 Core Round

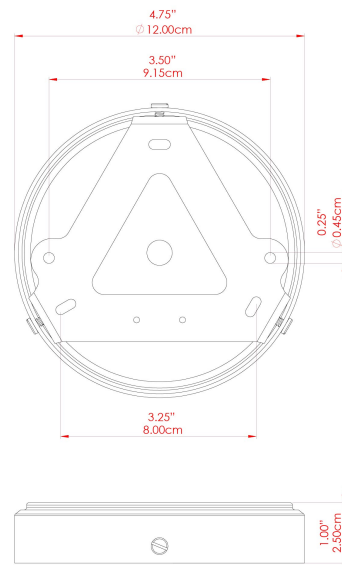
FIXING BRACKET: MLROSE39 | Natural Brass

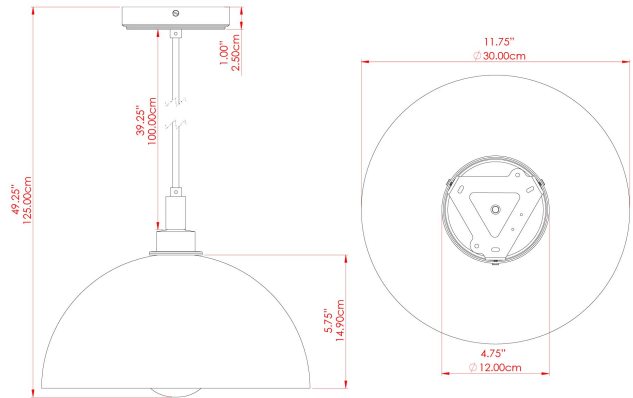




MATERIAL	Brass Glass
HEIGHT	22cm
WIDTH DIAMETER	30cm
LENGTH PROJECTION	n/a
WEIGHT	1.8 kg
LAMPHOLDER	E27
MAX WATTAGE	6.5W
VOLTAGE	220/240v
IP RATING	IP65
CLASS PROTECTION	Class II
SHADE	GLWP01
FLEX BAR CHAIN LENGTH	100cm
CABLE TYPE	MLOCA002 Black Fabric Braided Outdoor Rubber Cable 2 Core Round

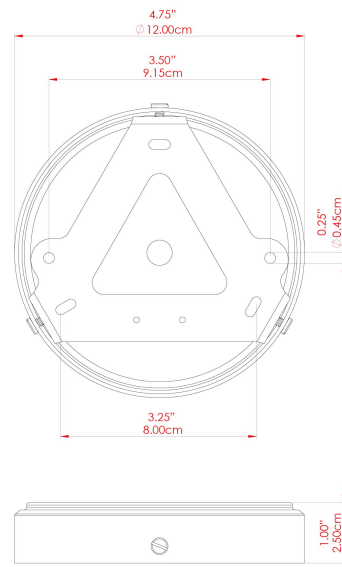
FIXING BRACKET: MLROSE39 | Polished Brass

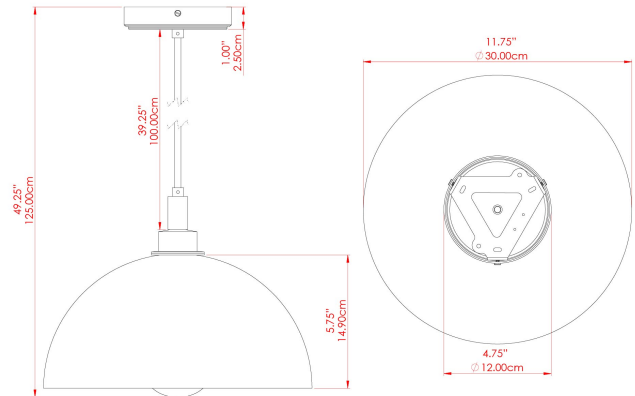




MATERIAL	Brass Glass
HEIGHT	22cm
WIDTH DIAMETER	30cm
LENGTH PROJECTION	n/a
WEIGHT	1.8 kg
LAMPHOLDER	E27
MAX WATTAGE	6.5W
VOLTAGE	220/240v
IP RATING	IP65
CLASS PROTECTION	Class II
SHADE	GLWP02
FLEX BAR CHAIN LENGTH	100cm
CABLE TYPE	MLOCA002 Black Fabric Braided Outdoor Rubber Cable 2 Core Round

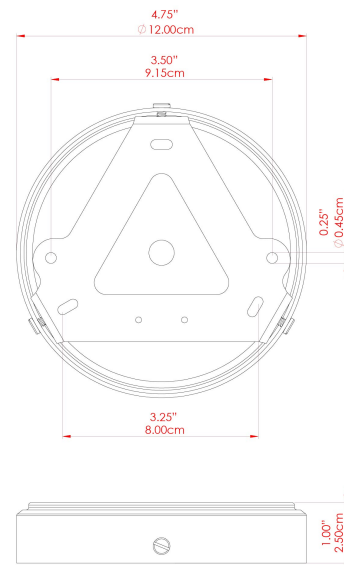
FIXING BRACKET: MLROSE39 | Polished Brass

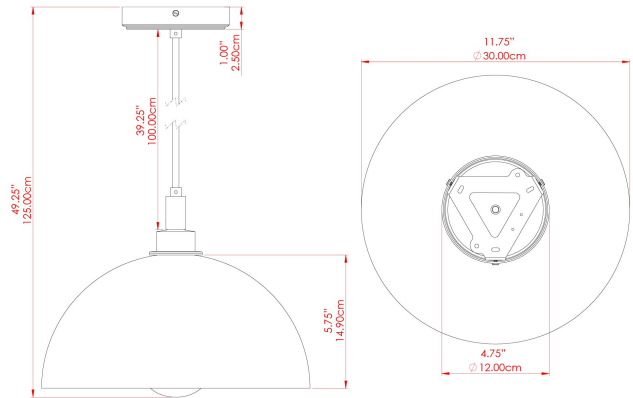




MATERIAL	Brass Glass
HEIGHT	22cm
WIDTH DIAMETER	30cm
LENGTH PROJECTION	n/a
WEIGHT	1.8 kg
LAMPHOLDER	E27
MAX WATTAGE	6.5W
VOLTAGE	220/240v
IP RATING	IP65
CLASS PROTECTION	Class II
SHADE	GLWP01
FLEX BAR CHAIN LENGTH	100cm
CABLE TYPE	MLOCA002 Black Fabric Braided Outdoor Rubber Cable 2 Core Round

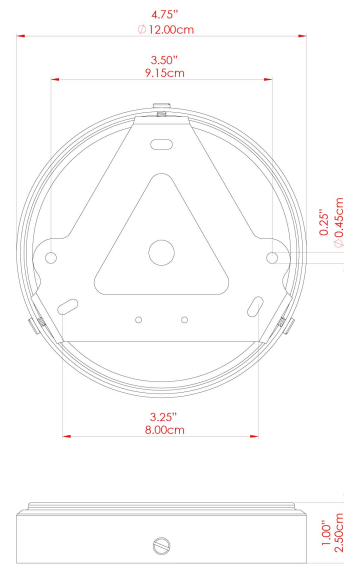
FIXING BRACKET: MLROSE39 | Satin Brass

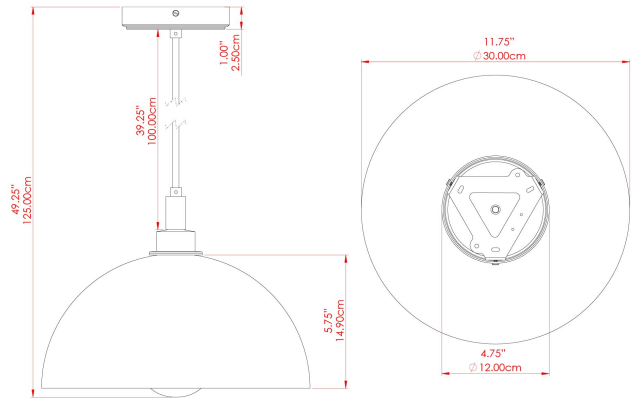




MATERIAL	Brass Glass
HEIGHT	22cm
WIDTH DIAMETER	30cm
LENGTH PROJECTION	n/a
WEIGHT	1.8 kg
LAMPHOLDER	E27
MAX WATTAGE	6.5W
VOLTAGE	220/240v
IP RATING	IP65
CLASS PROTECTION	Class II
SHADE	GLWP02
FLEX BAR CHAIN LENGTH	100cm
CABLE TYPE	MLOCA002 Black Fabric Braided Outdoor Rubber Cable 2 Core Round

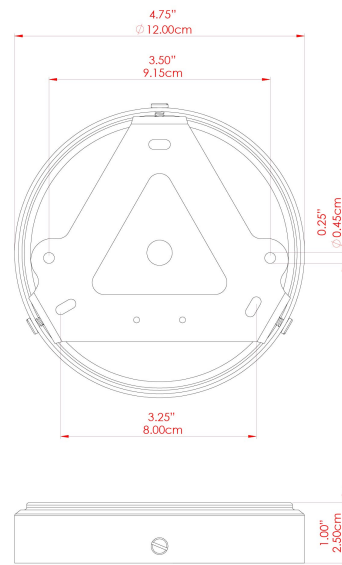
FIXING BRACKET: MLROSE39 | Satin Brass





MATERIAL	Brass Glass
HEIGHT	22cm
WIDTH DIAMETER	30cm
LENGTH PROJECTION	n/a
WEIGHT	1.8 kg
LAMPHOLDER	E27
MAX WATTAGE	6.5W
VOLTAGE	220/240v
IP RATING	IP65
CLASS PROTECTION	Class II
SHADE	GLWP01
FLEX BAR CHAIN LENGTH	100cm
CABLE TYPE	MLOCA002 Black Fabric Braided Outdoor Rubber Cable 2 Core Round

FIXING BRACKET: MLROSE39 | White

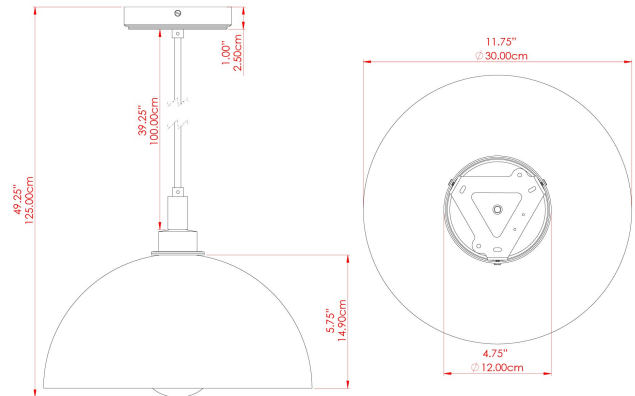


WWW.MULLANLIGHTING.COM

Product Notes:

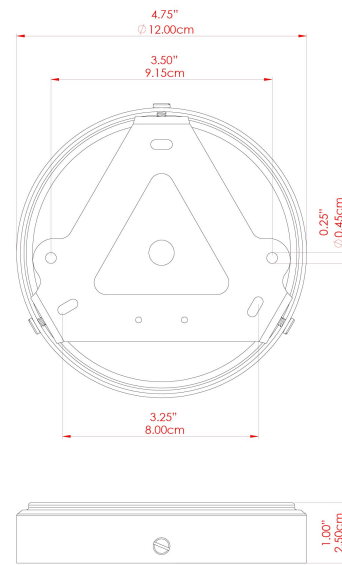
1) Bulbs not included. 2) Dimensions do not include bulbs. 3) All products are individually made-to-order and therefore may differ slightly within manufacturing tolerances. 4) Cable / chain can be shortened during installation. Longer cable / chain lengths available on request. 5) Additional colour finishes may be available on request. 6) Refer to our website for a full list of terms and conditions.





MATERIAL	Brass Glass
HEIGHT	22cm
WIDTH DIAMETER	30cm
LENGTH PROJECTION	n/a
WEIGHT	1.8 kg
LAMPHOLDER	E27
MAX WATTAGE	6.5W
VOLTAGE	220/240v
IP RATING	IP65
CLASS PROTECTION	Class II
SHADE	GLWP02
FLEX BAR CHAIN LENGTH	100cm
CABLE TYPE	MLOCA002 Black Fabric Braided Outdoor Rubber Cable 2 Core Round

FIXING BRACKET: MLROSE39 | White



WWW.MULLANLIGHTING.COM

Product Notes:

1) Bulbs not included. 2) Dimensions do not include bulbs. 3) All products are individually made-to-order and therefore may differ slightly within manufacturing tolerances. 4) Cable / chain can be shortened during installation. Longer cable / chain lengths available on request. 5) Additional colour finishes may be available on request. 6) Refer to our website for a full list of terms and conditions.

