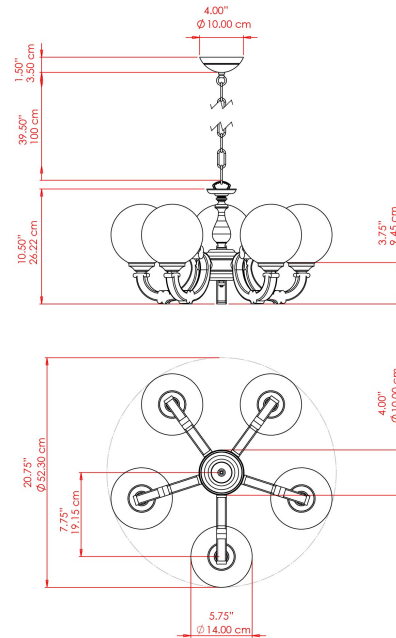


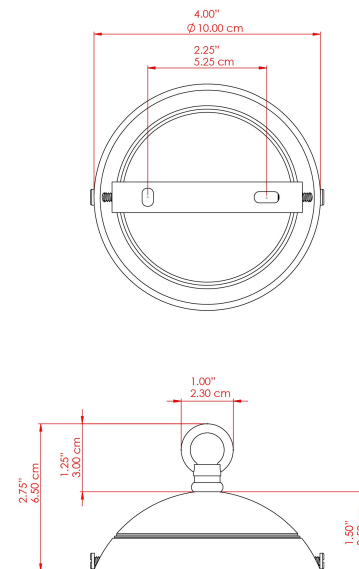
BEN Chandelier

MLF025ANTBRS Antique Brass



MATERIAL	Brass Glass
HEIGHT	23cm
WIDTH DIAMETER	50cm
LENGTH PROJECTION	n/a
WEIGHT	5.6 kg
LAMPHOLDER	G9
MAX WATTAGE	6.5W
VOLTAGE	220/240v
IP RATING	IP20
CLASS PROTECTION	Class I
SHADE	GL044F x 5
FLEX BAR CHAIN LENGTH	100cm
CABLE TYPE	

FIXING BRACKET: MLROSE15 | Antique Brass



WWW.MULLANLIGHTING.COM

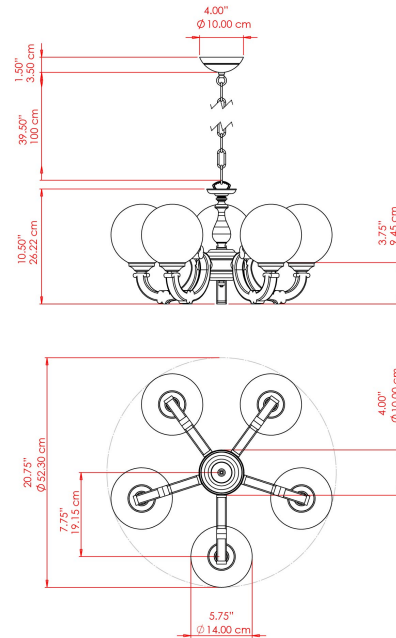
Product Notes:

1) Bulbs not included. 2) Dimensions do not include bulbs. 3) All products are individually made-to-order and therefore may differ slightly within manufacturing tolerances. 4) Cable / chain can be shortened during installation. Longer cable / chain lengths available on request. 5) Additional colour finishes may be available on request. 6) Refer to our website for a full list of terms and conditions.



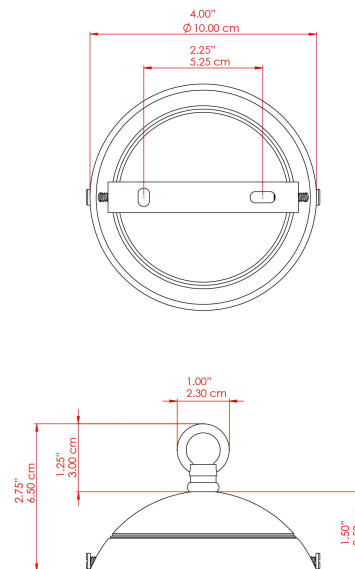
BEN Chandelier

MLF025ANTSLV Antique Silver



MATERIAL	Brass Glass
HEIGHT	23cm
WIDTH DIAMETER	50cm
LENGTH PROJECTION	n/a
WEIGHT	5.6 kg
LAMPHOLDER	G9
MAX WATTAGE	6.5W
VOLTAGE	220/240v
IP RATING	IP20
CLASS PROTECTION	Class I
SHADE	GL044F x 5
FLEX BAR CHAIN LENGTH	100cm
CABLE TYPE	

FIXING BRACKET: MLROSE15 | Antique Silver



WWW.MULLANLIGHTING.COM

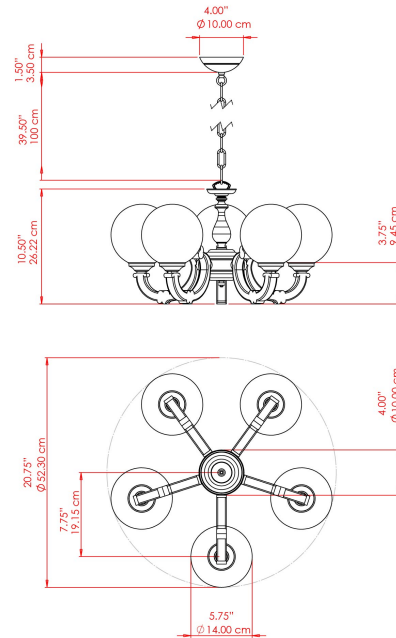
Product Notes:

1) Bulbs not included. 2) Dimensions do not include bulbs. 3) All products are individually made-to-order and therefore may differ slightly within manufacturing tolerances. 4) Cable / chain can be shortened during installation. Longer cable / chain lengths available on request. 5) Additional colour finishes may be available on request. 6) Refer to our website for a full list of terms and conditions.



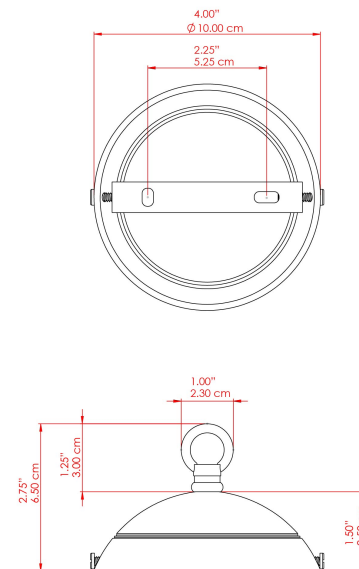
BEN Chandelier

MLF025POLBRS Polished Brass



MATERIAL	Brass Glass
HEIGHT	23cm
WIDTH DIAMETER	50cm
LENGTH PROJECTION	n/a
WEIGHT	5.6 kg
LAMPHOLDER	G9
MAX WATTAGE	6.5W
VOLTAGE	220/240v
IP RATING	IP20
CLASS PROTECTION	Class I
SHADE	GL044F x 5
FLEX BAR CHAIN LENGTH	100cm
CABLE TYPE	

FIXING BRACKET: MLROSE15 | Polished Brass



WWW.MULLANLIGHTING.COM

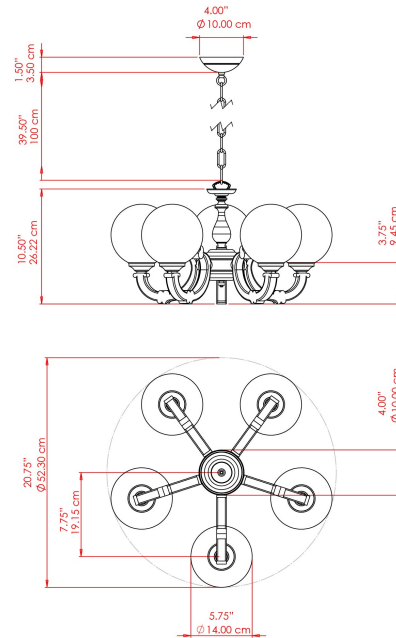
Product Notes:

1) Bulbs not included. 2) Dimensions do not include bulbs. 3) All products are individually made-to-order and therefore may differ slightly within manufacturing tolerances. 4) Cable / chain can be shortened during installation. Longer cable / chain lengths available on request. 5) Additional colour finishes may be available on request. 6) Refer to our website for a full list of terms and conditions.



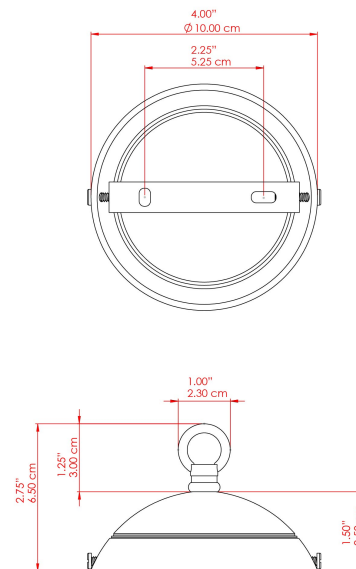
BEN Chandelier

MLF025SATBRS Satin Brass



MATERIAL	Brass Glass
HEIGHT	23cm
WIDTH DIAMETER	50cm
LENGTH PROJECTION	n/a
WEIGHT	5.6 kg
LAMPHOLDER	G9
MAX WATTAGE	6.5W
VOLTAGE	220/240v
IP RATING	IP20
CLASS PROTECTION	Class I
SHADE	GL044F x 5
FLEX BAR CHAIN LENGTH	100cm
CABLE TYPE	

FIXING BRACKET: MLROSE15 | Satin Brass



WWW.MULLANLIGHTING.COM

Product Notes:

1) Bulbs not included. 2) Dimensions do not include bulbs. 3) All products are individually made-to-order and therefore may differ slightly within manufacturing tolerances. 4) Cable / chain can be shortened during installation. Longer cable / chain lengths available on request. 5) Additional colour finishes may be available on request. 6) Refer to our website for a full list of terms and conditions.

