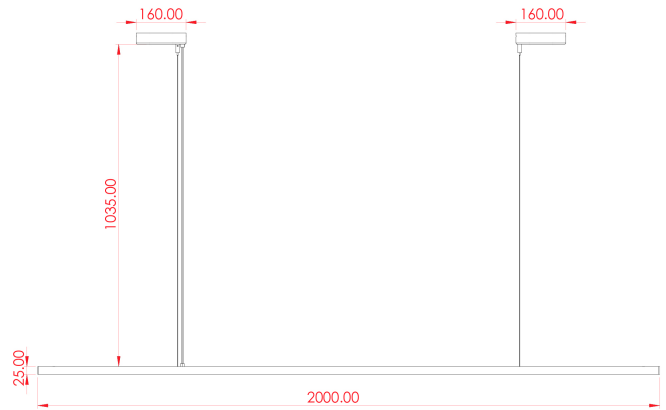


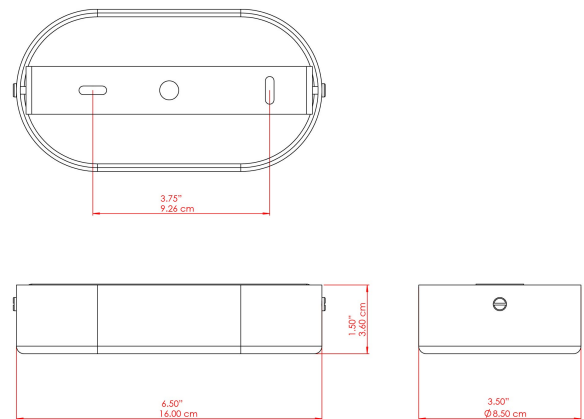
FAIRFIELD Pendant

MLP480ANTBRS Antique Brass



MATERIAL	Brass Aluminium Polycarbonate
HEIGHT	2.5cm
WIDTH DIAMETER	240cm
LENGTH PROJECTION	n/a
WEIGHT	5.4 kg
LAMPHOLDER	Integrated
MAX WATTAGE	16W
VOLTAGE	220/240v
IP RATING	IP20
CLASS PROTECTION	Class I
SHADE	-
FLEX BAR CHAIN LENGTH	100cm
CABLE TYPE	-

FIXING BRACKET: MLROSE98 | Antique Brass

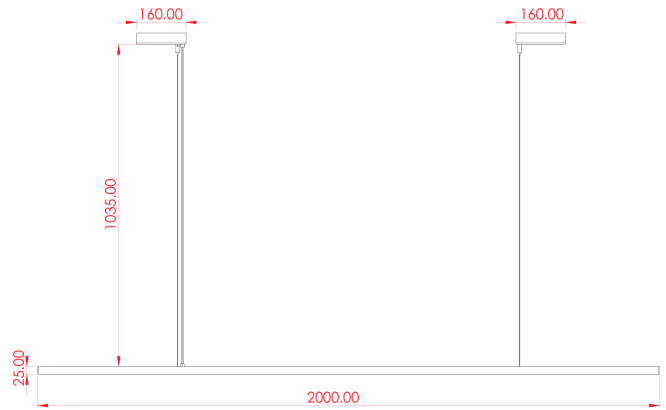


Product Notes:
 1) Integrated LED included. 2) Dimensions do not include bulbs. 3) All products are individually made-to-order and therefore may differ slightly within manufacturing tolerances. 4) Cable / chain can be shortened during installation. Longer cable / chain lengths available on request. 5) Additional colour finishes may be available on request. 6) Refer to our website for a full list of terms and conditions.



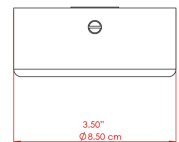
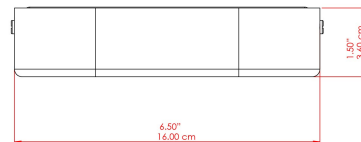
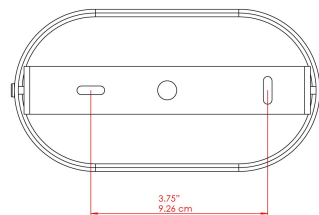
FAIRFIELD Pendant

MLP480ANTSLV Antique Silver



MATERIAL	Brass Aluminium Polycarbonate
HEIGHT	2.5cm
WIDTH DIAMETER	240cm
LENGTH PROJECTION	n/a
WEIGHT	5.4 kg
LAMPHOLDER	Integrated
MAX WATTAGE	16W
VOLTAGE	220/240v
IP RATING	IP20
CLASS PROTECTION	Class I
SHADE	-
FLEX BAR CHAIN LENGTH	100cm
CABLE TYPE	-

FIXING BRACKET: MLROSE98 | Antique Silver

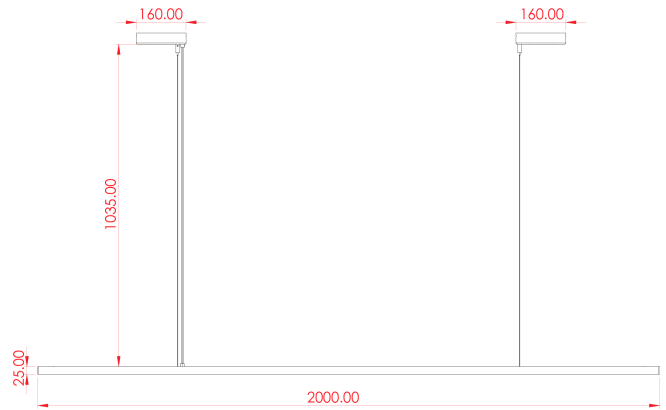


Product Notes:
 1) Integrated LED included. 2) Dimensions do not include bulbs. 3) All products are individually made-to-order and therefore may differ slightly within manufacturing tolerances. 4) Cable / chain can be shortened during installation. Longer cable / chain lengths available on request. 5) Additional colour finishes may be available on request. 6) Refer to our website for a full list of terms and conditions.



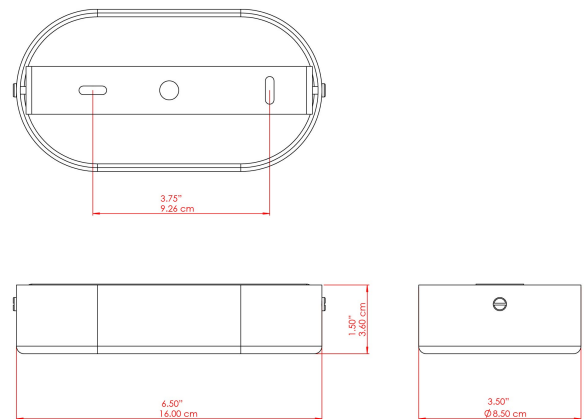
FAIRFIELD Pendant

MLP480POLBRS Polished Brass



MATERIAL	Brass Aluminium Polycarbonate
HEIGHT	2.5cm
WIDTH DIAMETER	240cm
LENGTH PROJECTION	n/a
WEIGHT	5.4 kg
LAMPHOLDER	Integrated
MAX WATTAGE	16W
VOLTAGE	220/240v
IP RATING	IP20
CLASS PROTECTION	Class I
SHADE	-
FLEX BAR CHAIN LENGTH	100cm
CABLE TYPE	-

FIXING BRACKET: MLROSE98 | Polished Brass

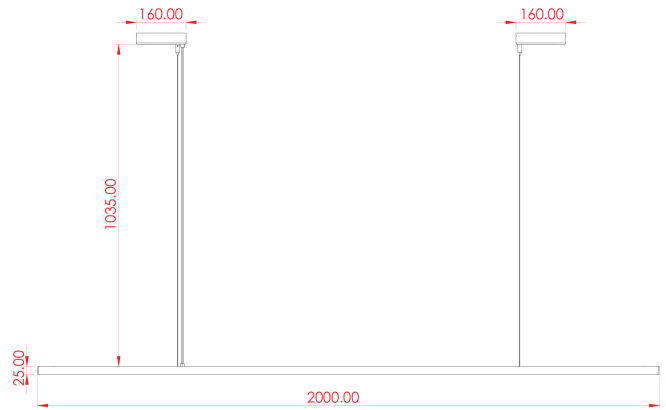


Product Notes:
 1) Integrated LED included. 2) Dimensions do not include bulbs. 3) All products are individually made-to-order and therefore may differ slightly within manufacturing tolerances. 4) Cable / chain can be shortened during installation. Longer cable / chain lengths available on request. 5) Additional colour finishes may be available on request. 6) Refer to our website for a full list of terms and conditions.



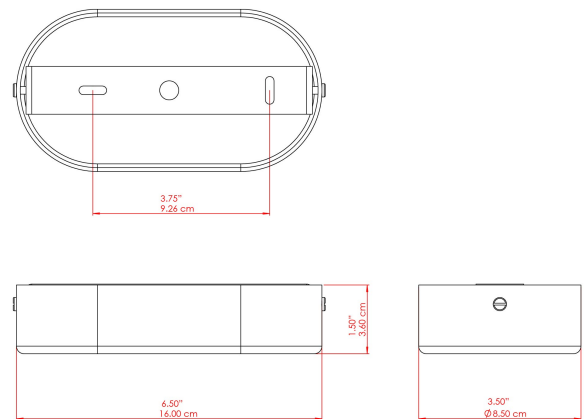
FAIRFIELD Pendant

MLP480SATBRS Satin Brass



MATERIAL	Brass Aluminium Polycarbonate
HEIGHT	2.5cm
WIDTH DIAMETER	240cm
LENGTH PROJECTION	n/a
WEIGHT	5.4 kg
LAMPHOLDER	Integrated
MAX WATTAGE	16W
VOLTAGE	220/240v
IP RATING	IP20
CLASS PROTECTION	Class I
SHADE	-
FLEX BAR CHAIN LENGTH	100cm
CABLE TYPE	-

FIXING BRACKET: MLROSE98 | Satin Brass



Product Notes:
 1) Integrated LED included. 2) Dimensions do not include bulbs. 3) All products are individually made-to-order and therefore may differ slightly within manufacturing tolerances. 4) Cable / chain can be shortened during installation. Longer cable / chain lengths available on request. 5) Additional colour finishes may be available on request. 6) Refer to our website for a full list of terms and conditions.

