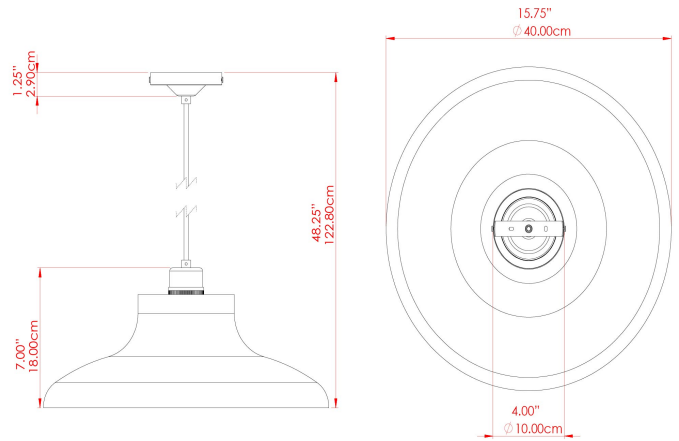


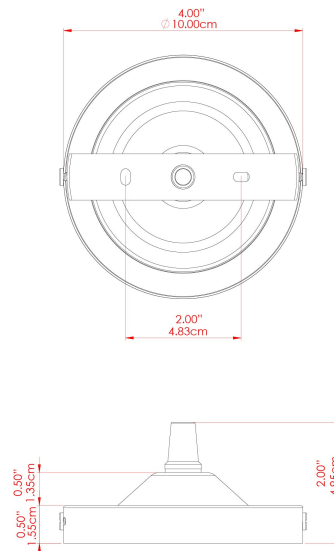
MONO 40CM Pendant

MLP255ANTBRS Antique Brass



MATERIAL	Brass Glass
HEIGHT	18cm
WIDTH DIAMETER	40cm
LENGTH PROJECTION	n/a
WEIGHT	1.4 kg
LAMPHOLDER	E27
MAX WATTAGE	40W
VOLTAGE	220/240v
IP RATING	IP20
CLASS PROTECTION	Class I
SHADE	GL089
FLEX BAR CHAIN LENGTH	100cm
CABLE TYPE	MLCA002 Brown Fabric Braided Cable 2 Core Twisted

FIXING BRACKET: MLROSE05GRIP | Antique Brass

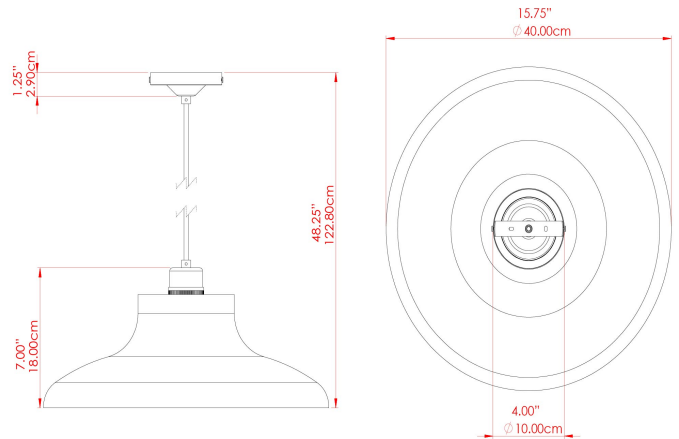


Product Notes:
 1) Bulbs not included. 2) Dimensions do not include bulbs. 3) All products are individually made-to-order and therefore may differ slightly within manufacturing tolerances. 4) Cable / chain can be shortened during installation. Longer cable / chain lengths available on request. 5) Additional colour finishes may be available on request. 6) Refer to our website for a full list of terms and conditions.



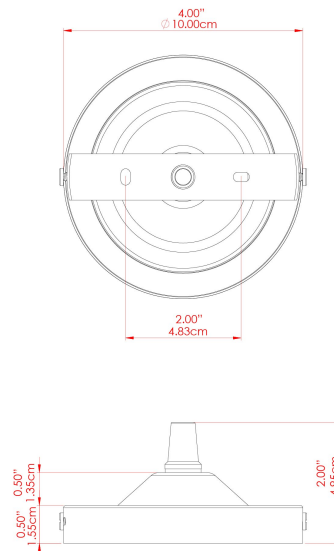
MONO 40CM Pendant

MLP255ANTSLV Antique Silver



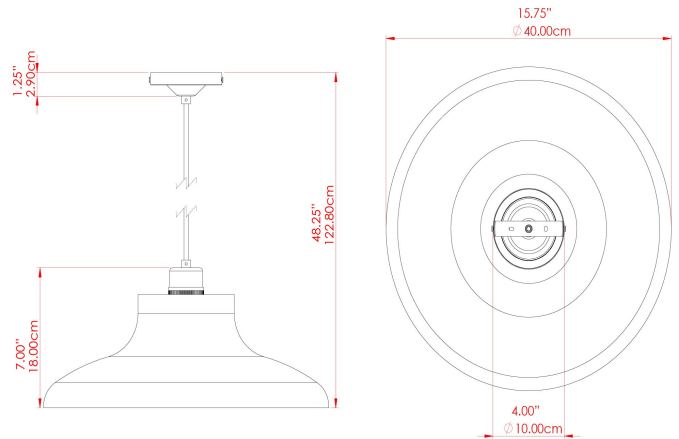
MATERIAL	Brass Glass
HEIGHT	18cm
WIDTH DIAMETER	40cm
LENGTH PROJECTION	n/a
WEIGHT	1.4 kg
LAMPHOLDER	E27
MAX WATTAGE	40W
VOLTAGE	220/240v
IP RATING	IP20
CLASS PROTECTION	Class I
SHADE	GL089
FLEX BAR CHAIN LENGTH	100cm
CABLE TYPE	MLCA001 Black Fabric Braided Cable 2 Core Twisted

FIXING BRACKET: MLROSE05GRIP | Antique Silver



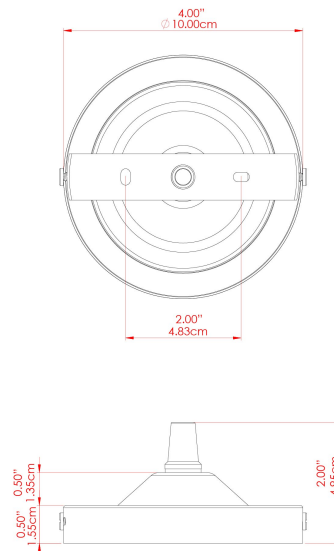
MONO 40CM Pendant

MLP255POLBRS Polished Brass



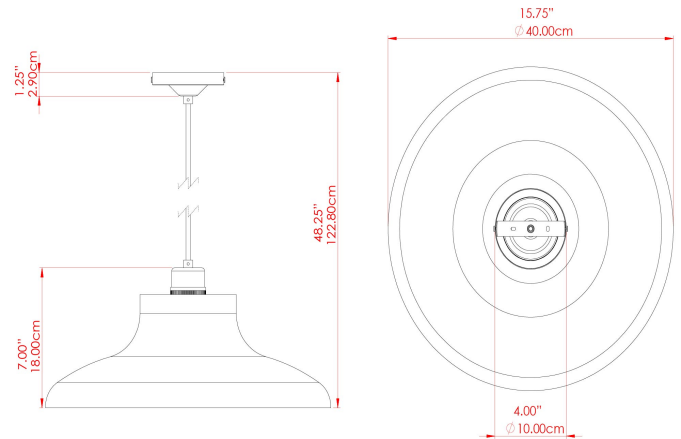
MATERIAL	Brass Glass
HEIGHT	18cm
WIDTH DIAMETER	40cm
LENGTH PROJECTION	n/a
WEIGHT	1.4 kg
LAMPHOLDER	E27
MAX WATTAGE	40W
VOLTAGE	220/240v
IP RATING	IP20
CLASS PROTECTION	Class I
SHADE	GL089
FLEX BAR CHAIN LENGTH	100cm
CABLE TYPE	MLCA001 Black Fabric Braided Cable 2 Core Twisted

FIXING BRACKET: MLROSE05GRIP | Polished Brass



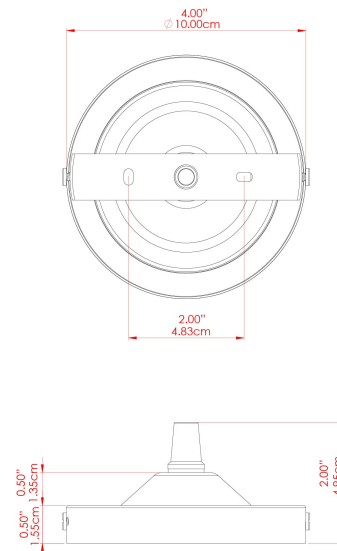
MONO 40CM Pendant

MLP255POLCHR Polished Chrome



MATERIAL	Brass Glass
HEIGHT	18cm
WIDTH DIAMETER	38cm
LENGTH PROJECTION	n/a
WEIGHT	1.4 kg
LAMPHOLDER	E27
MAX WATTAGE	40W
VOLTAGE	220/240v
IP RATING	IP20
CLASS PROTECTION	Class I
SHADE	GL089
FLEX BAR CHAIN LENGTH	100cm
CABLE TYPE	MLCA001 Black Fabric Braided Cable 2 Core Twisted

FIXING BRACKET: MLROSE05GRIP | Polished Chrome

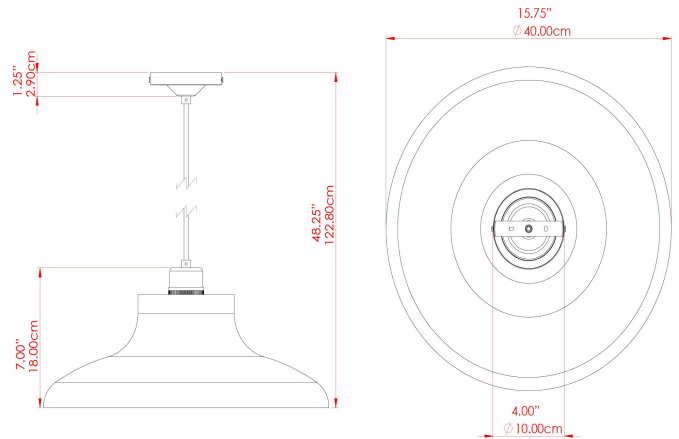


Product Notes:
 1) Bulbs not included. 2) Dimensions do not include bulbs. 3) All products are individually made-to-order and therefore may differ slightly within manufacturing tolerances. 4) Cable / chain can be shortened during installation. Longer cable / chain lengths available on request. 5) Additional colour finishes may be available on request. 6) Refer to our website for a full list of terms and conditions.



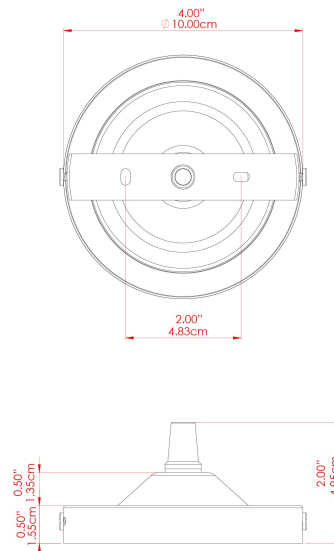
MONO 40CM Pendant

MLP255POLCOP Polished Copper



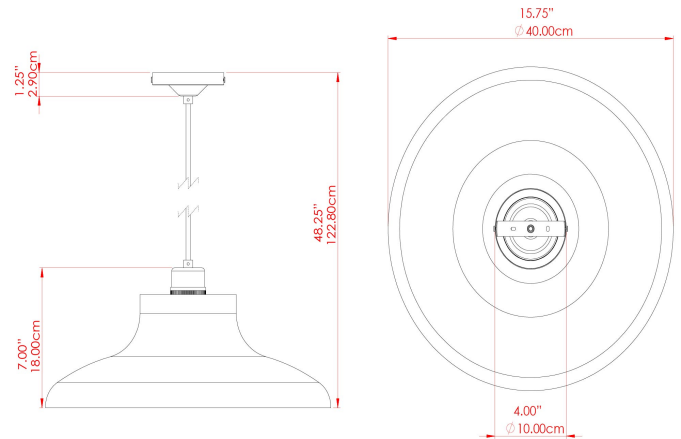
MATERIAL	Brass Copper Glass
HEIGHT	18cm
WIDTH DIAMETER	38cm
LENGTH PROJECTION	n/a
WEIGHT	1.4 kg
LAMPHOLDER	E27
MAX WATTAGE	40W
VOLTAGE	220/240v
IP RATING	IP20
CLASS PROTECTION	Class I
SHADE	GL089
FLEX BAR CHAIN LENGTH	100cm
CABLE TYPE	MLCA001 Black Fabric Braided Cable 2 Core Twisted

FIXING BRACKET: MLROSE05GRIP | Copper



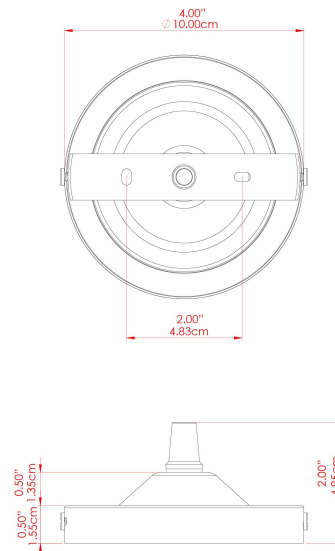
MONO 40CM Pendant

MLP255SATBRS Satin Brass



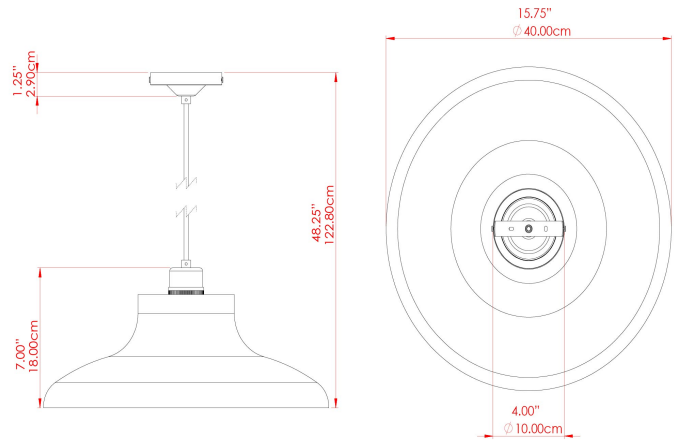
MATERIAL	Brass Glass
HEIGHT	18cm
WIDTH DIAMETER	38cm
LENGTH PROJECTION	n/a
WEIGHT	1.4 kg
LAMPHOLDER	E27
MAX WATTAGE	40W
VOLTAGE	220/240v
IP RATING	IP20
CLASS PROTECTION	Class I
SHADE	GL089
FLEX BAR CHAIN LENGTH	100cm
CABLE TYPE	MLCA001 Black Fabric Braided Cable 2 Core Twisted

FIXING BRACKET: MLROSE05GRIP | Satin Brass



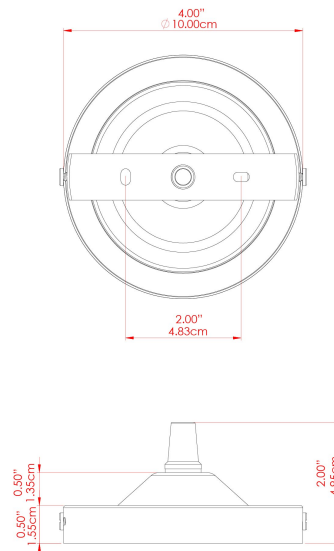
MONO 40CM Pendant

MLP255SATCHR Satin Chrome



MATERIAL	Brass Glass
HEIGHT	18cm
WIDTH DIAMETER	38cm
LENGTH PROJECTION	n/a
WEIGHT	1.4 kg
LAMPHOLDER	E27
MAX WATTAGE	40W
VOLTAGE	220/240v
IP RATING	IP20
CLASS PROTECTION	Class I
SHADE	GL089
FLEX BAR CHAIN LENGTH	100cm
CABLE TYPE	MLCA001 Black Fabric Braided Cable 2 Core Twisted

FIXING BRACKET: MLROSE05GRIP | Satin Chrome



Product Notes:
 1) Bulbs not included. 2) Dimensions do not include bulbs. 3) All products are individually made-to-order and therefore may differ slightly within manufacturing tolerances. 4) Cable / chain can be shortened during installation. Longer cable / chain lengths available on request. 5) Additional colour finishes may be available on request. 6) Refer to our website for a full list of terms and conditions.

