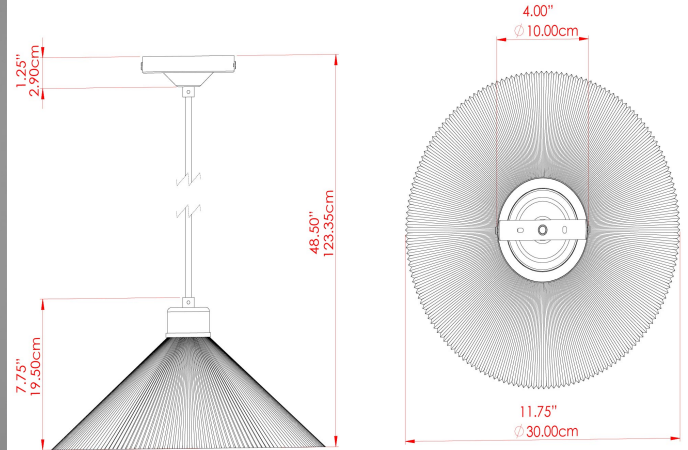


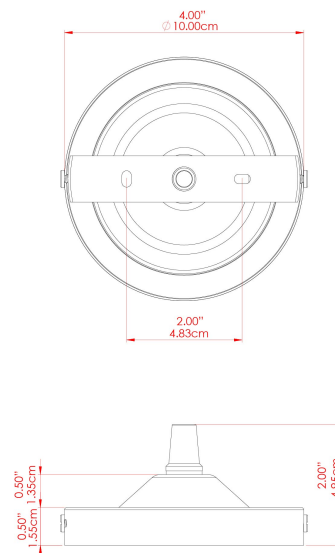
REBELL Pendant

MLP253ANTBRS Antique Brass



MATERIAL	Brass Glass
HEIGHT	19.5cm
WIDTH DIAMETER	30cm
LENGTH PROJECTION	n/a
WEIGHT	1.1 kg
LAMPHOLDER	E27
MAX WATTAGE	40W
VOLTAGE	220/240v
IP RATING	IP20
CLASS PROTECTION	Class I
SHADE	GL028
FLEX BAR CHAIN LENGTH	100cm
CABLE TYPE	MLCA002 Brown Fabric Braided Cable 2 Core Twisted

FIXING BRACKET: MLROSE05GRIP | Antique Brass

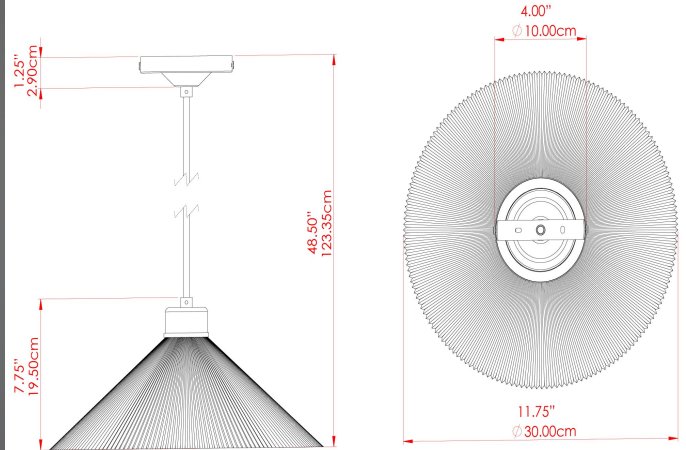


Product Notes:
 1) Bulbs not included. 2) Dimensions do not include bulbs. 3) All products are individually made-to-order and therefore may differ slightly within manufacturing tolerances. 4) Cable / chain can be shortened during installation. Longer cable / chain lengths available on request. 5) Additional colour finishes may be available on request. 6) Refer to our website for a full list of terms and conditions.



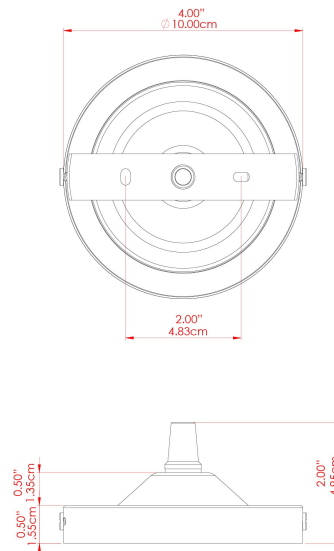
REBELL Pendant

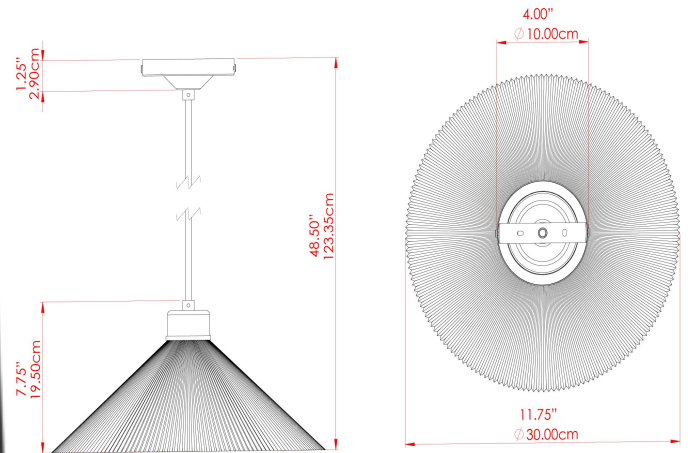
MLP253ANTSLV Antique Silver



MATERIAL	Brass Glass
HEIGHT	19.5cm
WIDTH DIAMETER	30cm
LENGTH PROJECTION	n/a
WEIGHT	1.1 kg
LAMPHOLDER	E27
MAX WATTAGE	40W
VOLTAGE	220/240v
IP RATING	IP20
CLASS PROTECTION	Class I
SHADE	GL028
FLEX BAR CHAIN LENGTH	100cm
CABLE TYPE	MLCA001 Black Fabric Braided Cable 2 Core Twisted

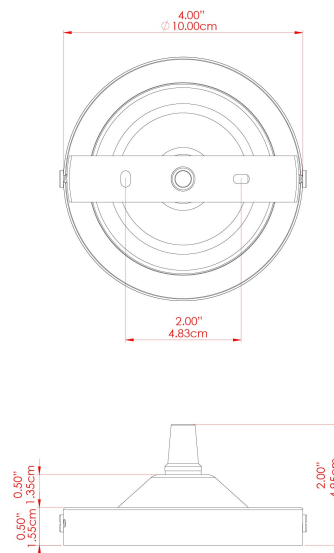
FIXING BRACKET: MLROSE05GRIP | Antique Silver





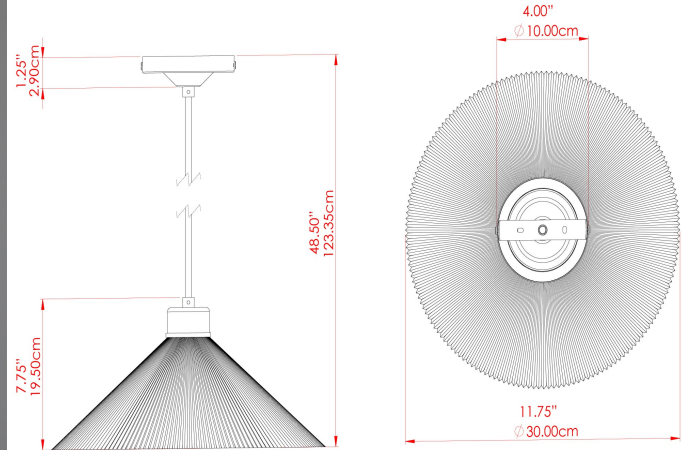
MATERIAL	Brass Glass Aluminium
HEIGHT	19.5cm
WIDTH DIAMETER	30cm
LENGTH PROJECTION	n/a
WEIGHT	1.1 kg
LAMPHOLDER	E27
MAX WATTAGE	40W
VOLTAGE	220/240v
IP RATING	IP20
CLASS PROTECTION	Class I
SHADE	GL028
FLEX BAR CHAIN LENGTH	100cm
CABLE TYPE	MLCA001 Black Fabric Braided Cable 2 Core Twisted

FIXING BRACKET: MLROSE05GRIP | Matt Black



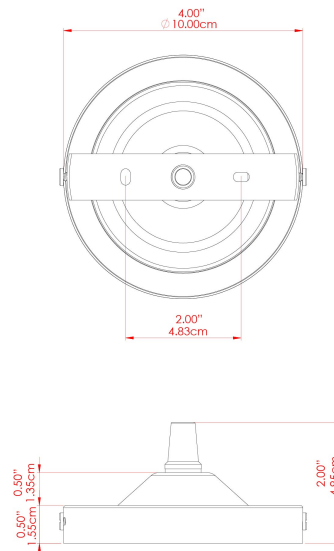
REBELL Pendant

MLP253POLBRS Polished Brass



MATERIAL	Brass Glass
HEIGHT	19.5cm
WIDTH DIAMETER	30cm
LENGTH PROJECTION	n/a
WEIGHT	1.1 kg
LAMPHOLDER	E27
MAX WATTAGE	40W
VOLTAGE	220/240v
IP RATING	IP20
CLASS PROTECTION	Class I
SHADE	GL028
FLEX BAR CHAIN LENGTH	100cm
CABLE TYPE	MLCA001 Black Fabric Braided Cable 2 Core Twisted

FIXING BRACKET: MLROSE05GRIP | Polished Brass

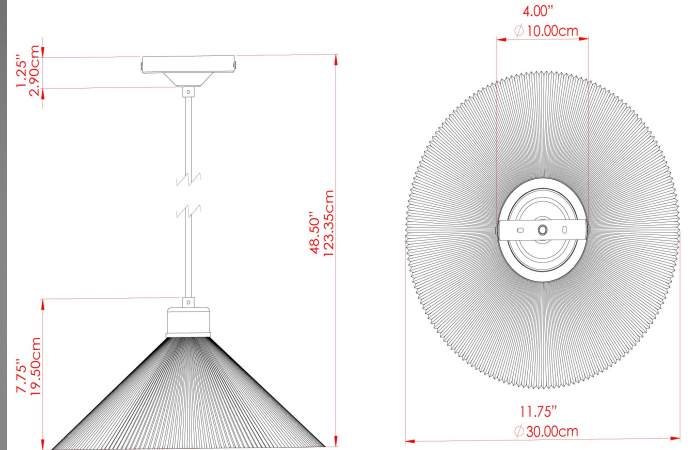


Product Notes:
 1) Bulbs not included. 2) Dimensions do not include bulbs. 3) All products are individually made-to-order and therefore may differ slightly within manufacturing tolerances. 4) Cable / chain can be shortened during installation. Longer cable / chain lengths available on request. 5) Additional colour finishes may be available on request. 6) Refer to our website for a full list of terms and conditions.



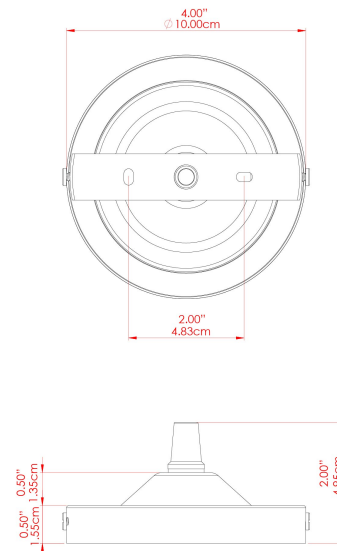
REBELL Pendant

MLP253POLCHR Polished Chrome



MATERIAL	Brass Glass
HEIGHT	19.5cm
WIDTH DIAMETER	30cm
LENGTH PROJECTION	n/a
WEIGHT	1.1 kg
LAMPHOLDER	E27
MAX WATTAGE	40W
VOLTAGE	220/240v
IP RATING	IP20
CLASS PROTECTION	Class I
SHADE	GL028
FLEX BAR CHAIN LENGTH	100cm
CABLE TYPE	MLCA001 Black Fabric Braided Cable 2 Core Twisted

FIXING BRACKET: MLROSE05GRIP | Polished Chrome

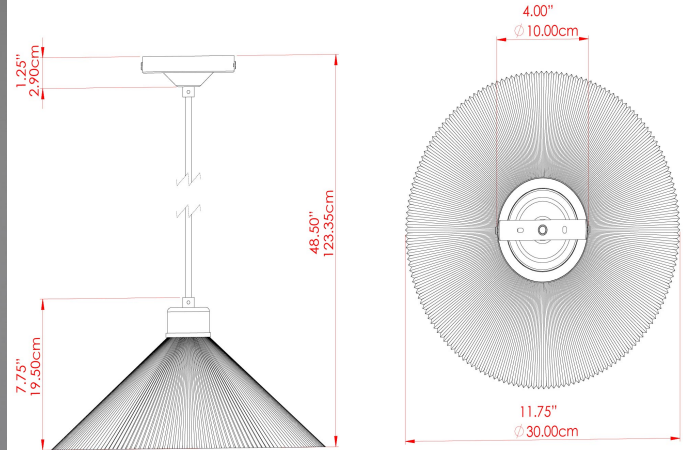


Product Notes:
 1) Bulbs not included. 2) Dimensions do not include bulbs. 3) All products are individually made-to-order and therefore may differ slightly within manufacturing tolerances. 4) Cable / chain can be shortened during installation. Longer cable / chain lengths available on request. 5) Additional colour finishes may be available on request. 6) Refer to our website for a full list of terms and conditions.



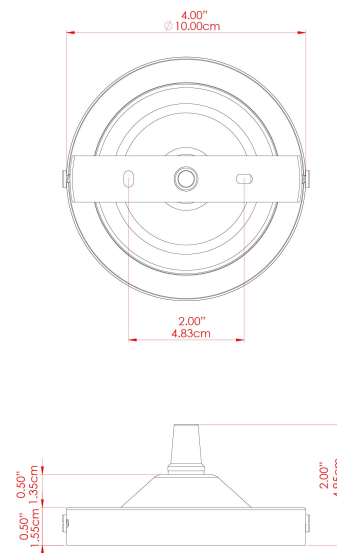
REBELL Pendant

MLP253SATBRS Satin Brass



MATERIAL	Brass Glass
HEIGHT	19.5cm
WIDTH DIAMETER	30cm
LENGTH PROJECTION	n/a
WEIGHT	1.1 kg
LAMPHOLDER	E27
MAX WATTAGE	40W
VOLTAGE	220/240v
IP RATING	IP20
CLASS PROTECTION	Class I
SHADE	GL028
FLEX BAR CHAIN LENGTH	100cm
CABLE TYPE	MLCA002 Brown Fabric Braided Cable 2 Core Twisted

FIXING BRACKET: MLROSE05GRIP | Satin Brass

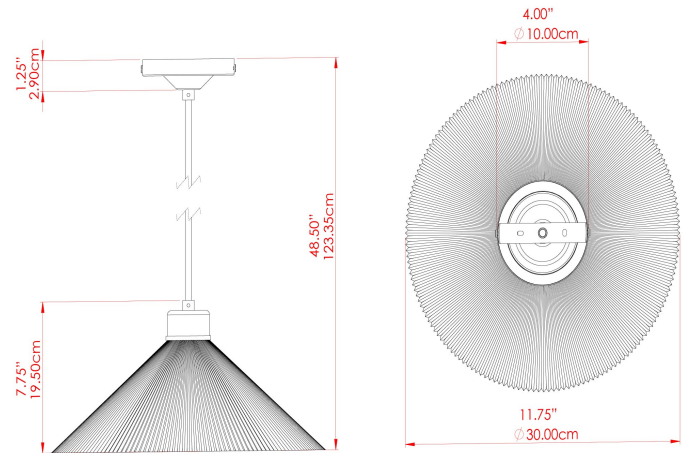


Product Notes:
 1) Bulbs not included. 2) Dimensions do not include bulbs. 3) All products are individually made-to-order and therefore may differ slightly within manufacturing tolerances. 4) Cable / chain can be shortened during installation. Longer cable / chain lengths available on request. 5) Additional colour finishes may be available on request. 6) Refer to our website for a full list of terms and conditions.



REBELL Pendant

MLP253SATCHR Satin Chrome



MATERIAL	Brass Glass
HEIGHT	19.5cm
WIDTH DIAMETER	30cm
LENGTH PROJECTION	n/a
WEIGHT	1.1 kg
LAMPHOLDER	E27
MAX WATTAGE	40W
VOLTAGE	220/240v
IP RATING	IP20
CLASS PROTECTION	Class I
SHADE	GL028
FLEX BAR CHAIN LENGTH	100cm
CABLE TYPE	MLCA001 Black Fabric Braided Cable 2 Core Twisted

FIXING BRACKET: MLROSE05GRIP | Satin Chrome

