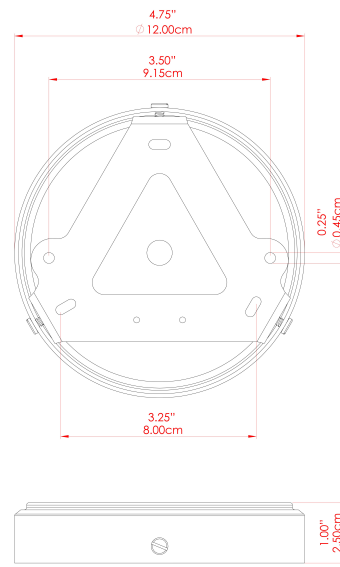
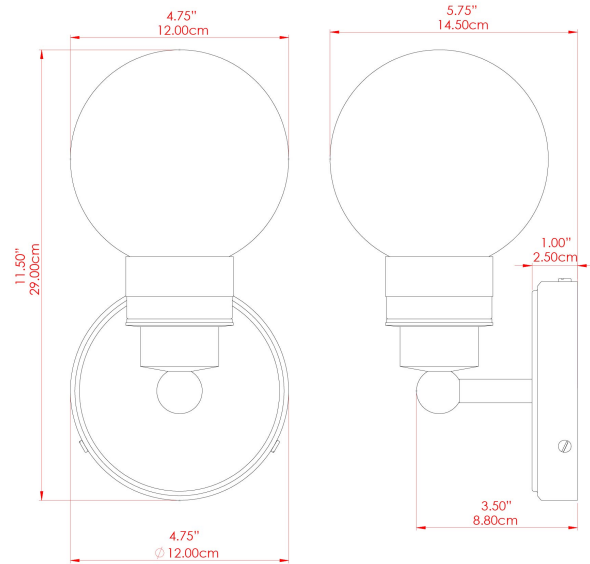


MATERIAL	Brass  Glass
HEIGHT	29cm
WIDTH   DIAMETER	12cm
LENGTH   PROJECTION	14.5cm
WEIGHT	1 kg
LAMPHOLDER	E27
MAX WATTAGE	6.5W
VOLTAGE	220/240v
IP RATING	IP65
CLASS PROTECTION	Class II
SHADE	GL186
FLEX   BAR   CHAIN LENGTH	n/a
CABLE TYPE	-

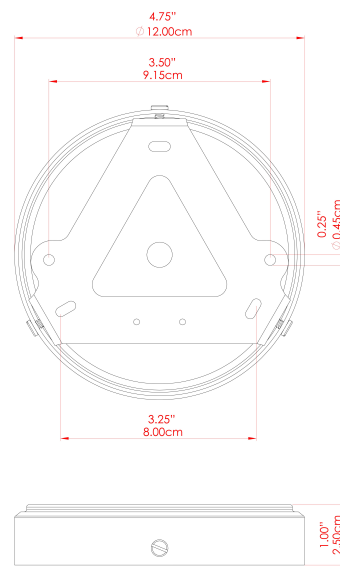
### FIXING BRACKET: MLWB17 | Antique Brass





MATERIAL	Brass  Glass
HEIGHT	29cm
WIDTH   DIAMETER	12cm
LENGTH   PROJECTION	14.5cm
WEIGHT	1 kg
LAMPHOLDER	E27
MAX WATTAGE	6.5W
VOLTAGE	220/240v
IP RATING	IP65
CLASS PROTECTION	Class II
SHADE	GL188
FLEX   BAR   CHAIN LENGTH	n/a
CABLE TYPE	-

FIXING BRACKET: MLWB17| Antique Brass

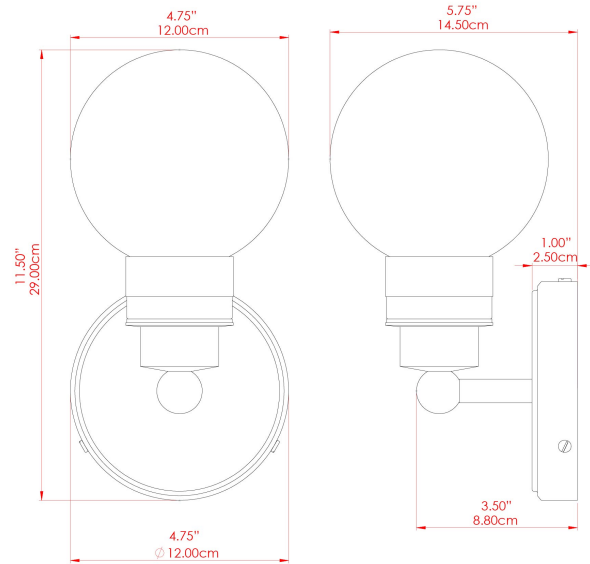


WWW.MULLANLIGHTING.COM

Product Notes:

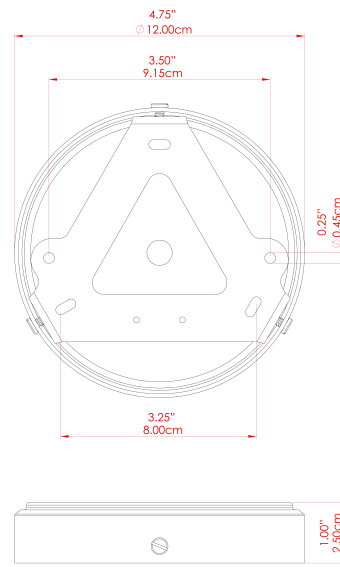
1) Bulbs not included. 2) Dimensions do not include bulbs. 3) All products are individually made-to-order and therefore may differ slightly within manufacturing tolerances. 4) Cable / chain can be shortened during installation. Longer cable / chain lengths available on request. 5) Additional colour finishes may be available on request. 6) Refer to our website for a full list of terms and conditions.

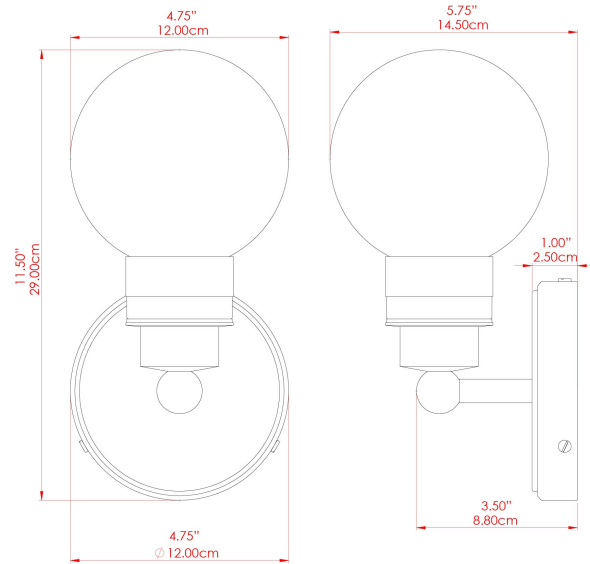




MATERIAL	Brass  Glass
HEIGHT	29cm
WIDTH   DIAMETER	12cm
LENGTH   PROJECTION	14.5cm
WEIGHT	1 kg
LAMPHOLDER	E27
MAX WATTAGE	6.5W
VOLTAGE	220/240v
IP RATING	IP65
CLASS PROTECTION	Class II
SHADE	GL186
FLEX   BAR   CHAIN LENGTH	n/a
CABLE TYPE	-

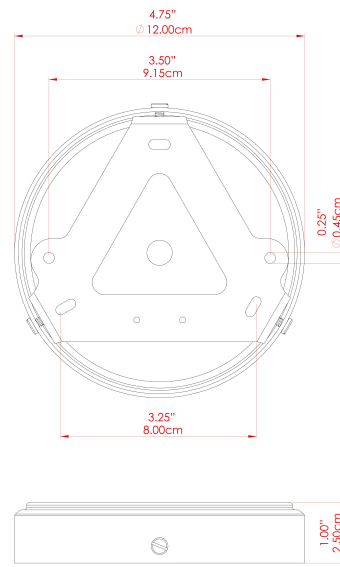
### FIXING BRACKET: MLWB17 | Antique Silver

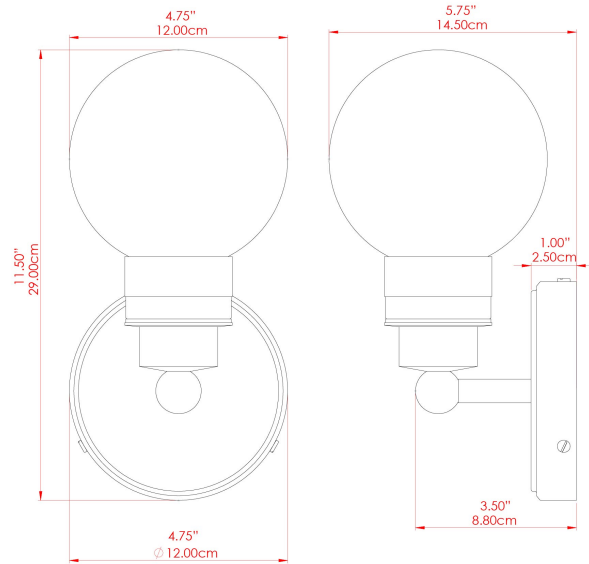




MATERIAL	Brass  Glass
HEIGHT	29cm
WIDTH   DIAMETER	12cm
LENGTH   PROJECTION	14.5cm
WEIGHT	1 kg
LAMPHOLDER	E27
MAX WATTAGE	6.5W
VOLTAGE	220/240v
IP RATING	IP65
CLASS PROTECTION	Class II
SHADE	GL188
FLEX   BAR   CHAIN LENGTH	n/a
CABLE TYPE	-

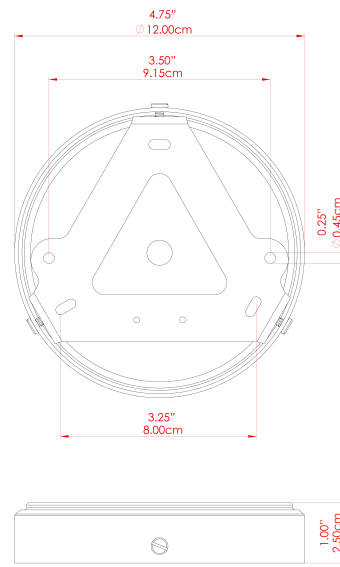
### FIXING BRACKET: MLWB17 | Antique Silver

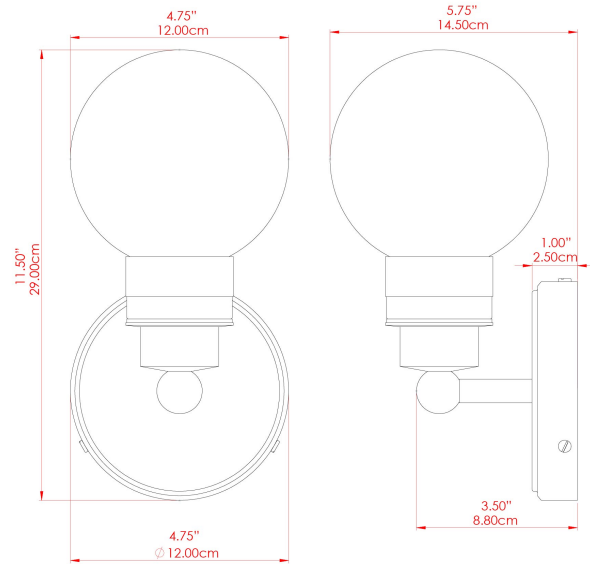




MATERIAL	Brass  Glass
HEIGHT	29cm
WIDTH   DIAMETER	12cm
LENGTH   PROJECTION	14.5cm
WEIGHT	1 kg
LAMPHOLDER	E27
MAX WATTAGE	6.5W
VOLTAGE	220/240v
IP RATING	IP65
CLASS PROTECTION	Class II
SHADE	GL186
FLEX   BAR   CHAIN LENGTH	n/a
CABLE TYPE	-

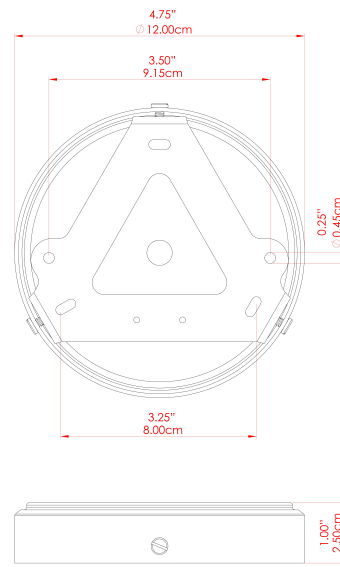
### FIXING BRACKET: MLWB17 | Matt Black





MATERIAL	Brass  Glass
HEIGHT	29cm
WIDTH   DIAMETER	12cm
LENGTH   PROJECTION	14.5cm
WEIGHT	1 kg
LAMPHOLDER	E27
MAX WATTAGE	6.5W
VOLTAGE	220/240v
IP RATING	IP65
CLASS PROTECTION	Class II
SHADE	GL187
FLEX   BAR   CHAIN LENGTH	n/a
CABLE TYPE	-

### FIXING BRACKET: MLWB17 | Matt Black

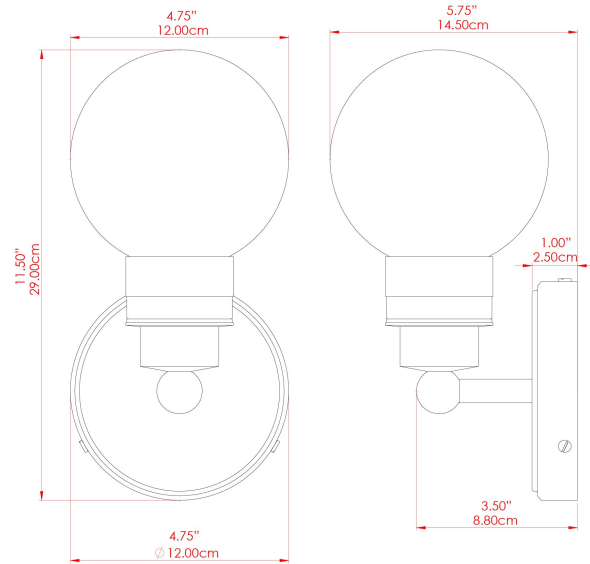


WWW.MULLANLIGHTING.COM

#### Product Notes:

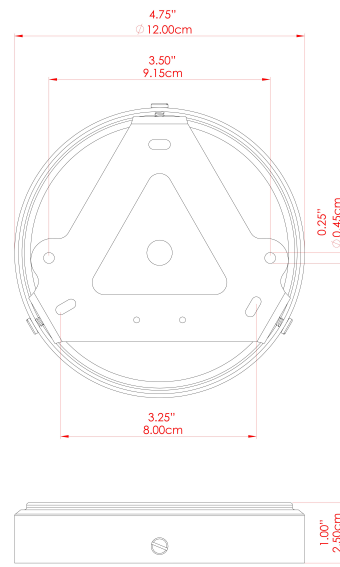
1) Bulbs not included. 2) Dimensions do not include bulbs. 3) All products are individually made-to-order and therefore may differ slightly within manufacturing tolerances. 4) Cable / chain can be shortened during installation. Longer cable / chain lengths available on request. 5) Additional colour finishes may be available on request. 6) Refer to our website for a full list of terms and conditions.





MATERIAL	Brass  Glass
HEIGHT	29cm
WIDTH   DIAMETER	12cm
LENGTH   PROJECTION	14.5cm
WEIGHT	1 kg
LAMPHOLDER	E27
MAX WATTAGE	6.5W
VOLTAGE	220/240v
IP RATING	IP65
CLASS PROTECTION	Class II
SHADE	GL188
FLEX   BAR   CHAIN LENGTH	n/a
CABLE TYPE	-

### FIXING BRACKET: MLWB17 | Matt Black

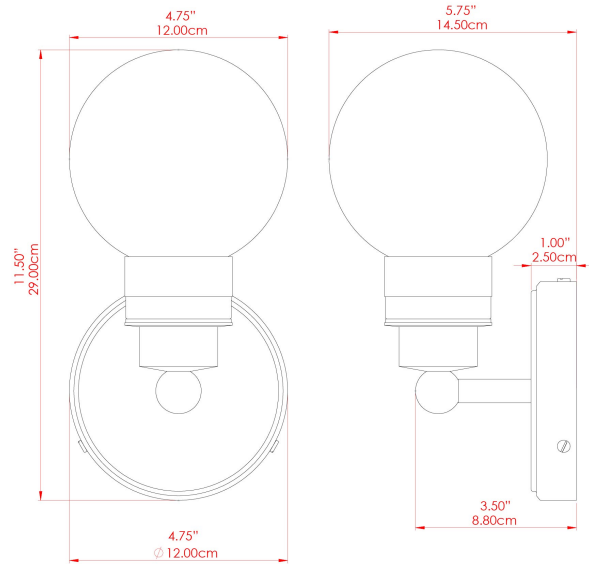


WWW.MULLANLIGHTING.COM

#### Product Notes:

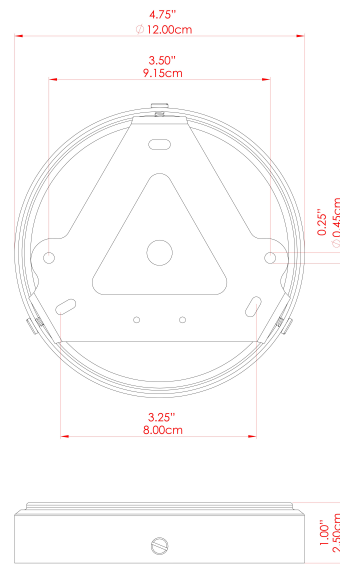
1) Bulbs not included. 2) Dimensions do not include bulbs. 3) All products are individually made-to-order and therefore may differ slightly within manufacturing tolerances. 4) Cable / chain can be shortened during installation. Longer cable / chain lengths available on request. 5) Additional colour finishes may be available on request. 6) Refer to our website for a full list of terms and conditions.





MATERIAL	Brass  Glass
HEIGHT	29cm
WIDTH   DIAMETER	12cm
LENGTH   PROJECTION	14.5cm
WEIGHT	1 kg
LAMPHOLDER	E27
MAX WATTAGE	6.5W
VOLTAGE	220/240v
IP RATING	IP65
CLASS PROTECTION	Class II
SHADE	GL186
FLEX   BAR   CHAIN LENGTH	n/a
CABLE TYPE	-

### FIXING BRACKET: MLWB17 | Natural Brass

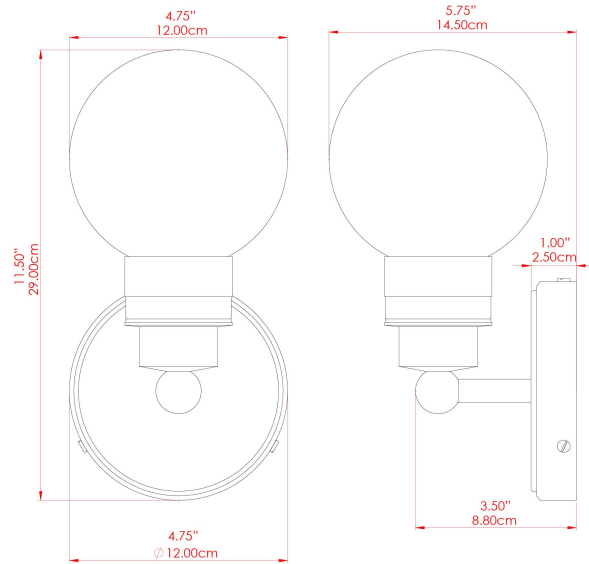


WWW.MULLANLIGHTING.COM

#### Product Notes:

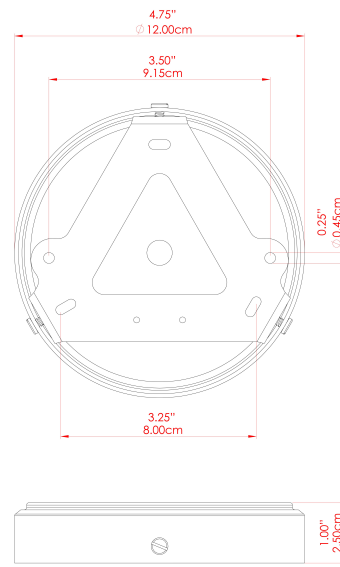
1) Bulbs not included. 2) Dimensions do not include bulbs. 3) All products are individually made-to-order and therefore may differ slightly within manufacturing tolerances. 4) Cable / chain can be shortened during installation. Longer cable / chain lengths available on request. 5) Additional colour finishes may be available on request. 6) Refer to our website for a full list of terms and conditions.

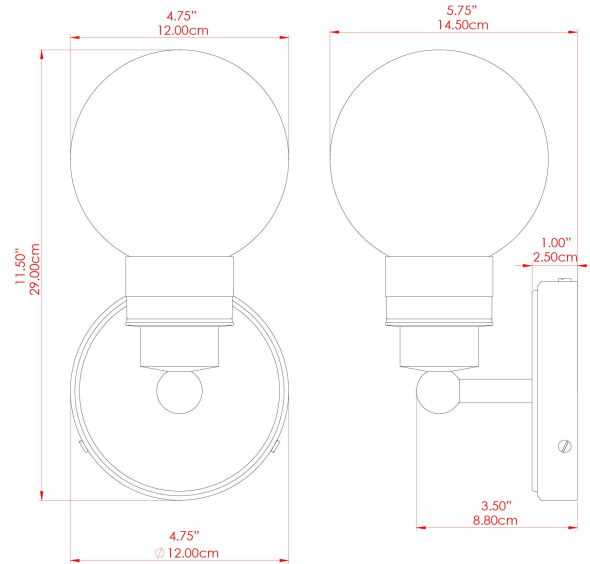




MATERIAL	Brass  Glass
HEIGHT	29cm
WIDTH   DIAMETER	12cm
LENGTH   PROJECTION	14.5cm
WEIGHT	1 kg
LAMPHOLDER	E27
MAX WATTAGE	6.5W
VOLTAGE	220/240v
IP RATING	IP65
CLASS PROTECTION	Class II
SHADE	GL187
FLEX   BAR   CHAIN LENGTH	n/a
CABLE TYPE	-

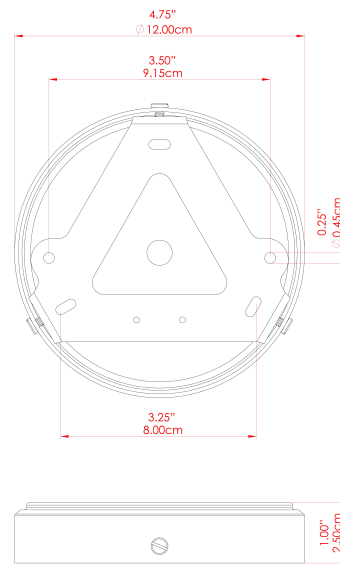
### FIXING BRACKET: MLWB17 | Natural Brass





MATERIAL	Brass  Glass
HEIGHT	29cm
WIDTH   DIAMETER	12cm
LENGTH   PROJECTION	14.5cm
WEIGHT	1 kg
LAMPHOLDER	E27
MAX WATTAGE	6.5W
VOLTAGE	220/240v
IP RATING	IP65
CLASS PROTECTION	Class II
SHADE	GL188
FLEX   BAR   CHAIN LENGTH	n/a
CABLE TYPE	-

### FIXING BRACKET: MLWB17 | Natural Brass

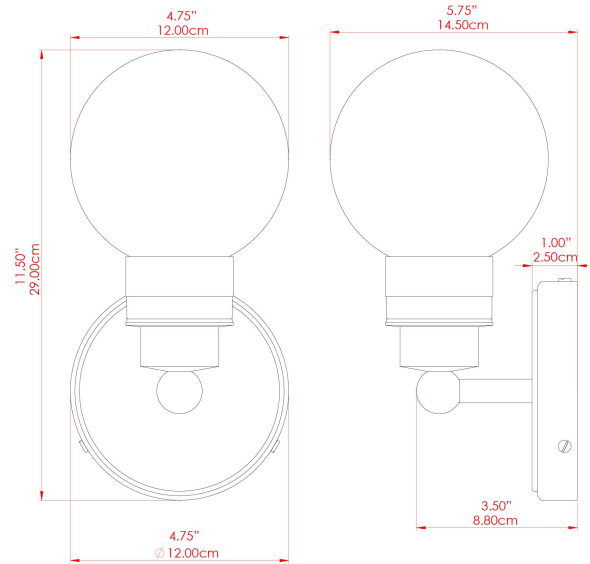


WWW.MULLANLIGHTING.COM

#### Product Notes:

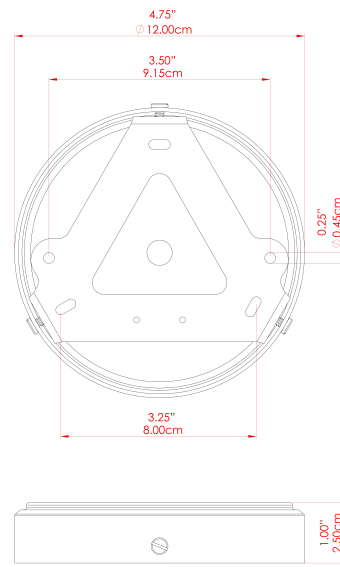
1) Bulbs not included. 2) Dimensions do not include bulbs. 3) All products are individually made-to-order and therefore may differ slightly within manufacturing tolerances. 4) Cable / chain can be shortened during installation. Longer cable / chain lengths available on request. 5) Additional colour finishes may be available on request. 6) Refer to our website for a full list of terms and conditions.





MATERIAL	Brass  Glass
HEIGHT	29cm
WIDTH   DIAMETER	12cm
LENGTH   PROJECTION	14.5cm
WEIGHT	1 kg
LAMPHOLDER	E27
MAX WATTAGE	6.5W
VOLTAGE	220/240v
IP RATING	IP65
CLASS PROTECTION	Class II
SHADE	GL186
FLEX   BAR   CHAIN LENGTH	n/a
CABLE TYPE	-

### FIXING BRACKET: MLWB17 | Polished Brass

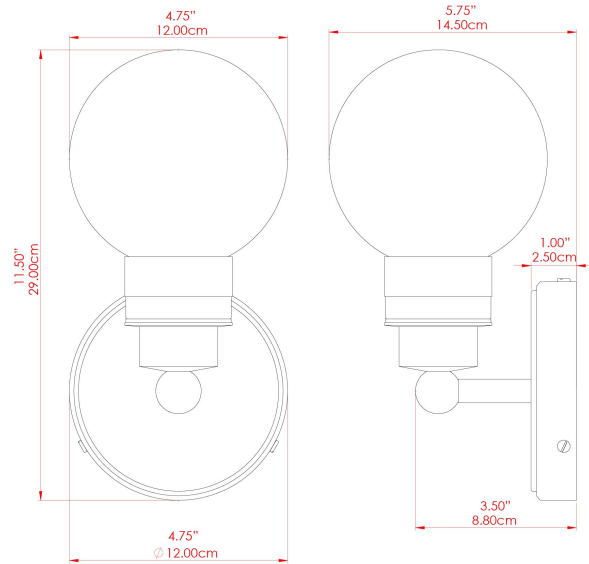


WWW.MULLANLIGHTING.COM

#### Product Notes:

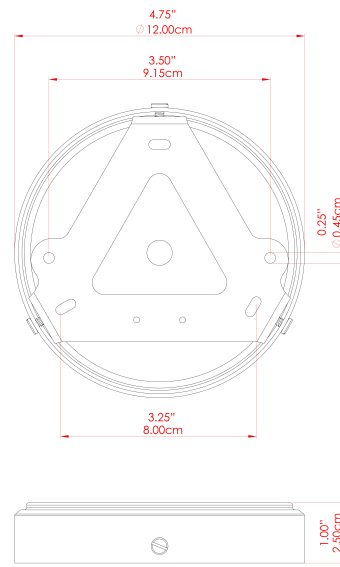
1) Bulbs not included. 2) Dimensions do not include bulbs. 3) All products are individually made-to-order and therefore may differ slightly within manufacturing tolerances. 4) Cable / chain can be shortened during installation. Longer cable / chain lengths available on request. 5) Additional colour finishes may be available on request. 6) Refer to our website for a full list of terms and conditions.





MATERIAL	Brass  Glass
HEIGHT	29cm
WIDTH   DIAMETER	12cm
LENGTH   PROJECTION	14.5cm
WEIGHT	1 kg
LAMPHOLDER	E27
MAX WATTAGE	6.5W
VOLTAGE	220/240v
IP RATING	IP65
CLASS PROTECTION	Class II
SHADE	GL187
FLEX   BAR   CHAIN LENGTH	n/a
CABLE TYPE	-

### FIXING BRACKET: MLWB17 | Polished Brass

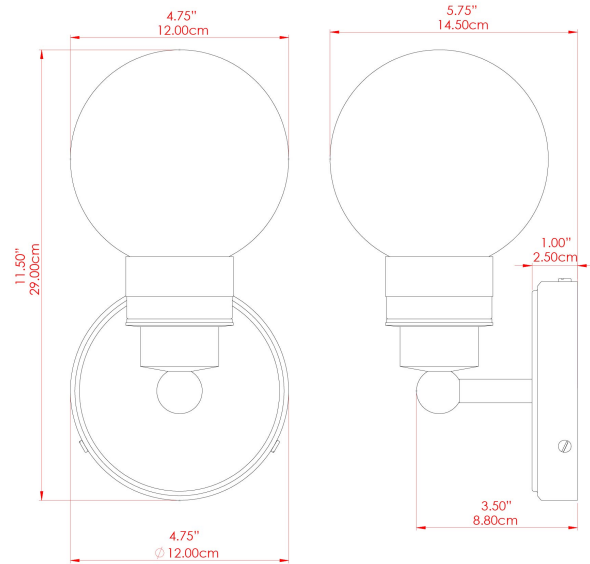


WWW.MULLANLIGHTING.COM

#### Product Notes:

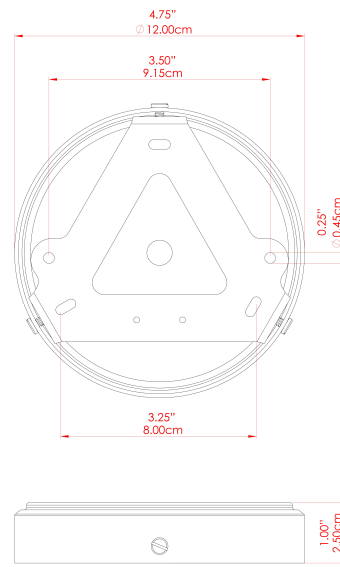
1) Bulbs not included. 2) Dimensions do not include bulbs. 3) All products are individually made-to-order and therefore may differ slightly within manufacturing tolerances. 4) Cable / chain can be shortened during installation. Longer cable / chain lengths available on request. 5) Additional colour finishes may be available on request. 6) Refer to our website for a full list of terms and conditions.





MATERIAL	Brass  Glass
HEIGHT	29cm
WIDTH   DIAMETER	12cm
LENGTH   PROJECTION	14.5cm
WEIGHT	1 kg
LAMPHOLDER	E27
MAX WATTAGE	6.5W
VOLTAGE	220/240v
IP RATING	IP65
CLASS PROTECTION	Class II
SHADE	GL188
FLEX   BAR   CHAIN LENGTH	n/a
CABLE TYPE	-

### FIXING BRACKET: MLWB17 | Polished Brass

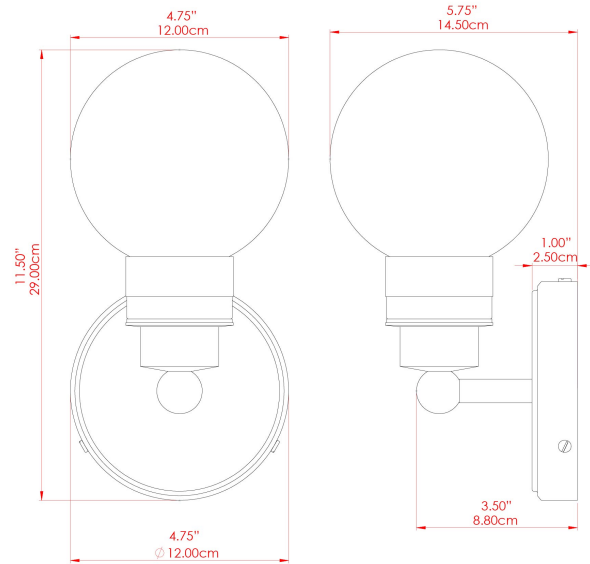


WWW.MULLANLIGHTING.COM

#### Product Notes:

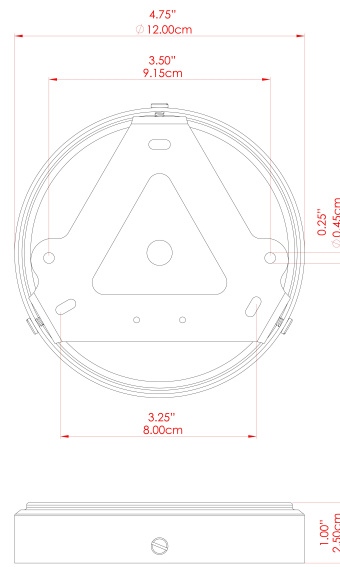
1) Bulbs not included. 2) Dimensions do not include bulbs. 3) All products are individually made-to-order and therefore may differ slightly within manufacturing tolerances. 4) Cable / chain can be shortened during installation. Longer cable / chain lengths available on request. 5) Additional colour finishes may be available on request. 6) Refer to our website for a full list of terms and conditions.





MATERIAL	Brass  Glass
HEIGHT	29cm
WIDTH   DIAMETER	12cm
LENGTH   PROJECTION	14.5cm
WEIGHT	1 kg
LAMPHOLDER	E27
MAX WATTAGE	6.5W
VOLTAGE	220/240v
IP RATING	IP65
CLASS PROTECTION	Class II
SHADE	GL186
FLEX   BAR   CHAIN LENGTH	n/a
CABLE TYPE	-

### FIXING BRACKET: MLWB17 | Satin Brass

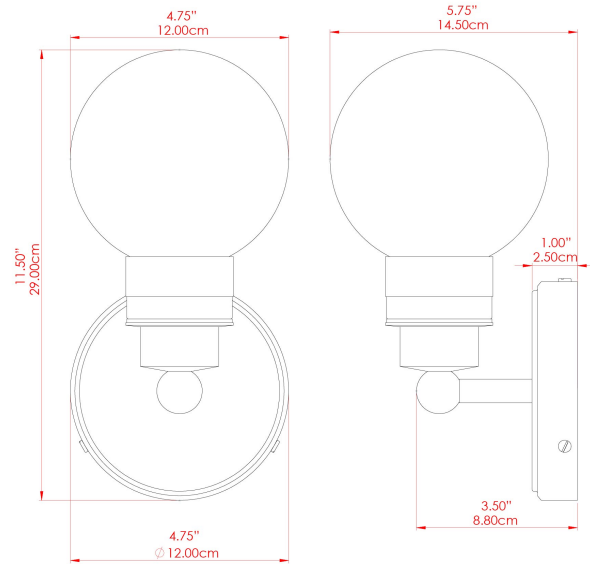


WWW.MULLANLIGHTING.COM

#### Product Notes:

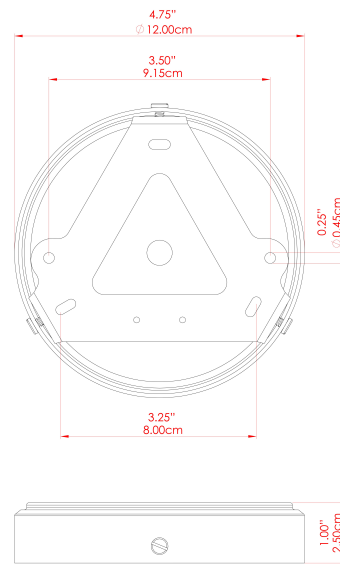
1) Bulbs not included. 2) Dimensions do not include bulbs. 3) All products are individually made-to-order and therefore may differ slightly within manufacturing tolerances. 4) Cable / chain can be shortened during installation. Longer cable / chain lengths available on request. 5) Additional colour finishes may be available on request. 6) Refer to our website for a full list of terms and conditions.





MATERIAL	Brass  Glass
HEIGHT	29cm
WIDTH   DIAMETER	12cm
LENGTH   PROJECTION	14.5cm
WEIGHT	1 kg
LAMPHOLDER	E27
MAX WATTAGE	6.5W
VOLTAGE	220/240v
IP RATING	IP65
CLASS PROTECTION	Class II
SHADE	GL187
FLEX   BAR   CHAIN LENGTH	n/a
CABLE TYPE	-

### FIXING BRACKET: MLWB17 | Satin Brass

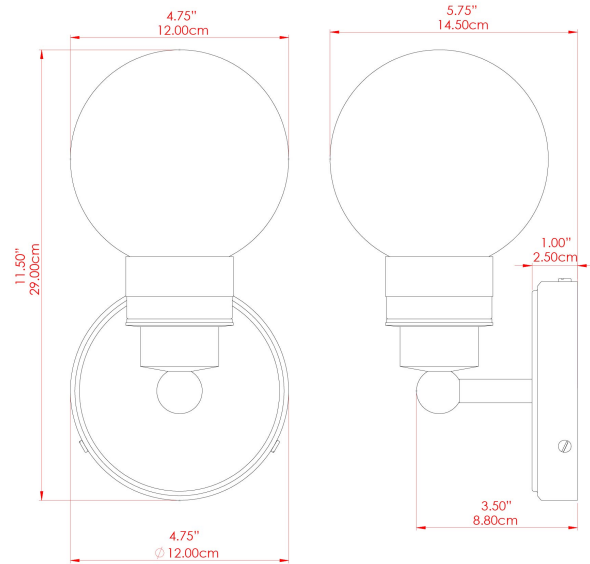


WWW.MULLANLIGHTING.COM

#### Product Notes:

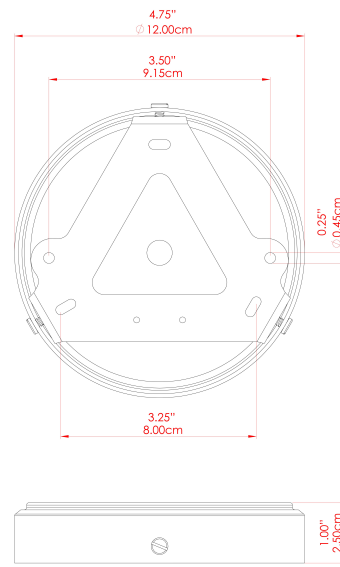
1) Bulbs not included. 2) Dimensions do not include bulbs. 3) All products are individually made-to-order and therefore may differ slightly within manufacturing tolerances. 4) Cable / chain can be shortened during installation. Longer cable / chain lengths available on request. 5) Additional colour finishes may be available on request. 6) Refer to our website for a full list of terms and conditions.





MATERIAL	Brass  Glass
HEIGHT	29cm
WIDTH   DIAMETER	12cm
LENGTH   PROJECTION	14.5cm
WEIGHT	1 kg
LAMPHOLDER	E27
MAX WATTAGE	6.5W
VOLTAGE	220/240v
IP RATING	IP65
CLASS PROTECTION	Class II
SHADE	GL188
FLEX   BAR   CHAIN LENGTH	n/a
CABLE TYPE	-

### FIXING BRACKET: MLWB17 | Satin Brass

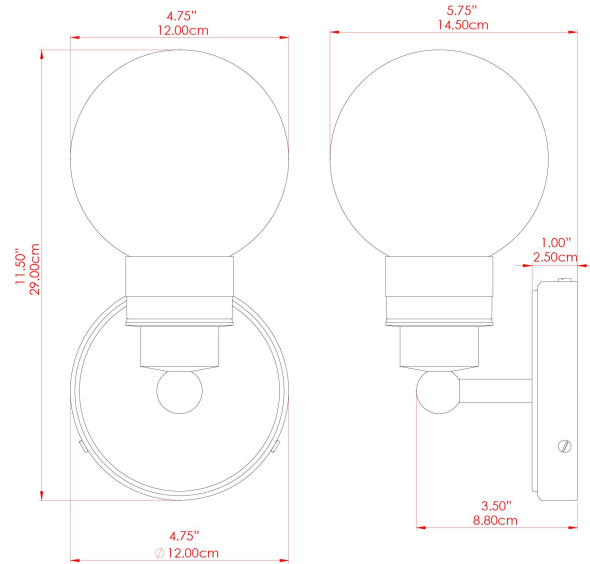


WWW.MULLANLIGHTING.COM

#### Product Notes:

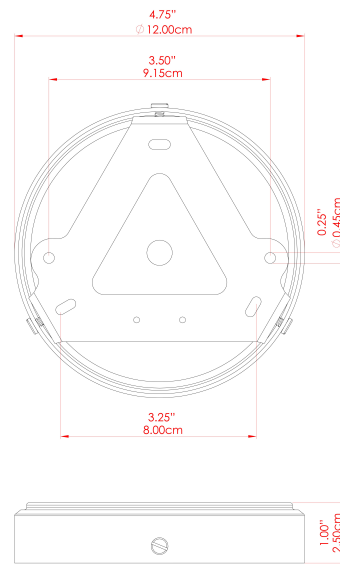
1) Bulbs not included. 2) Dimensions do not include bulbs. 3) All products are individually made-to-order and therefore may differ slightly within manufacturing tolerances. 4) Cable / chain can be shortened during installation. Longer cable / chain lengths available on request. 5) Additional colour finishes may be available on request. 6) Refer to our website for a full list of terms and conditions.

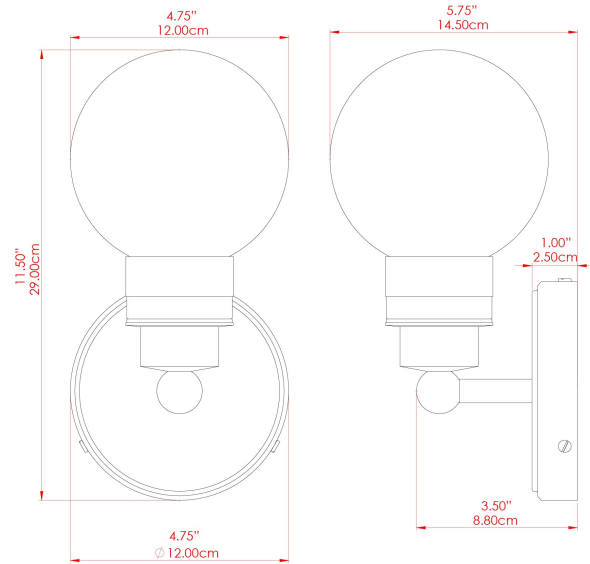




MATERIAL	Brass  Glass
HEIGHT	29cm
WIDTH   DIAMETER	12cm
LENGTH   PROJECTION	14.5cm
WEIGHT	1 kg
LAMPHOLDER	E27
MAX WATTAGE	6.5W
VOLTAGE	220/240v
IP RATING	IP65
CLASS PROTECTION	Class II
SHADE	GL186
FLEX   BAR   CHAIN LENGTH	n/a
CABLE TYPE	-

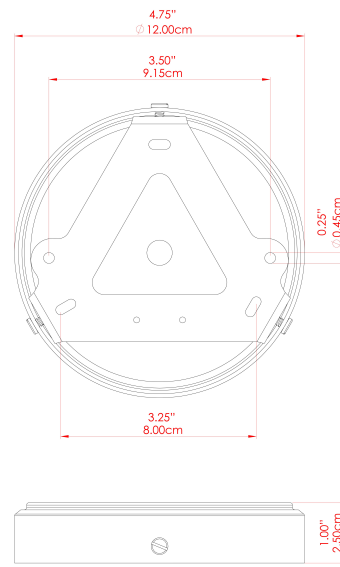
FIXING BRACKET: MLWB17 | White





MATERIAL	Brass  Glass
HEIGHT	29cm
WIDTH   DIAMETER	12cm
LENGTH   PROJECTION	14.5cm
WEIGHT	1 kg
LAMPHOLDER	E27
MAX WATTAGE	6.5W
VOLTAGE	220/240v
IP RATING	IP65
CLASS PROTECTION	Class II
SHADE	GL187
FLEX   BAR   CHAIN LENGTH	n/a
CABLE TYPE	-

FIXING BRACKET: MLWB17 | White

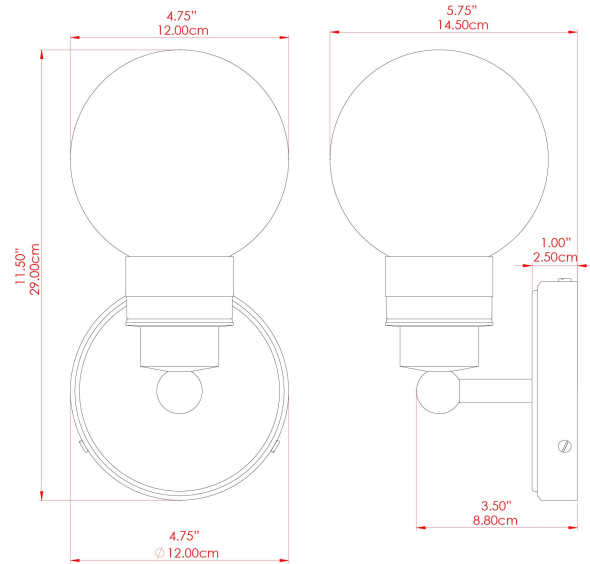


WWW.MULLANLIGHTING.COM

Product Notes:

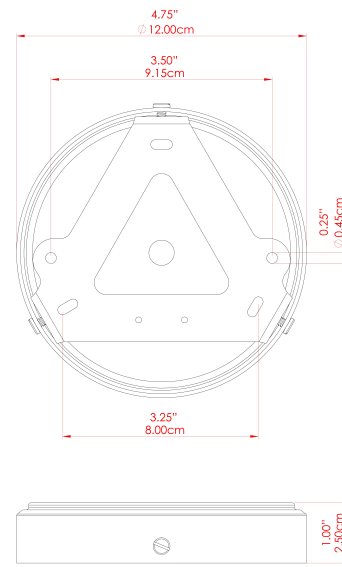
1) Bulbs not included. 2) Dimensions do not include bulbs. 3) All products are individually made-to-order and therefore may differ slightly within manufacturing tolerances. 4) Cable / chain can be shortened during installation. Longer cable / chain lengths available on request. 5) Additional colour finishes may be available on request. 6) Refer to our website for a full list of terms and conditions.





MATERIAL	Brass  Glass
HEIGHT	29cm
WIDTH   DIAMETER	12cm
LENGTH   PROJECTION	14.5cm
WEIGHT	1 kg
LAMPHOLDER	E27
MAX WATTAGE	6.5W
VOLTAGE	220/240v
IP RATING	IP65
CLASS PROTECTION	Class II
SHADE	GL188
FLEX   BAR   CHAIN LENGTH	n/a
CABLE TYPE	-

### FIXING BRACKET: MLWB17 | White

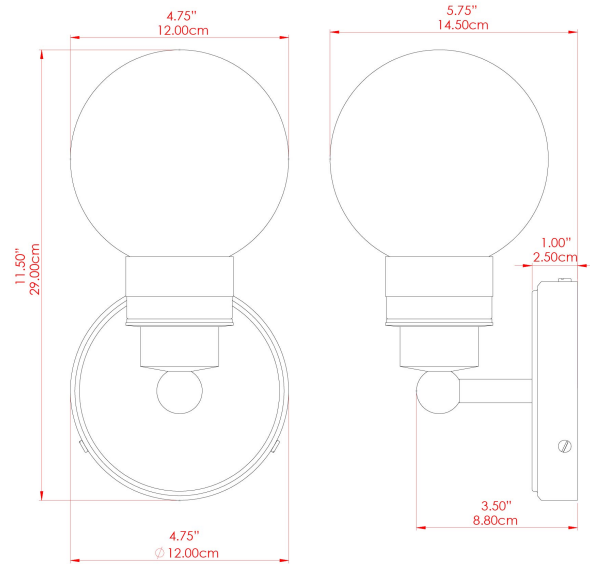


WWW.MULLANLIGHTING.COM

#### Product Notes:

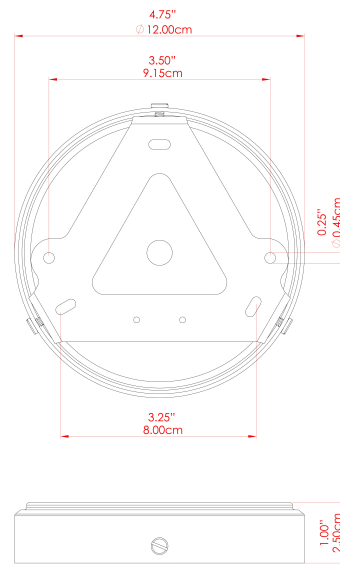
1) Bulbs not included. 2) Dimensions do not include bulbs. 3) All products are individually made-to-order and therefore may differ slightly within manufacturing tolerances. 4) Cable / chain can be shortened during installation. Longer cable / chain lengths available on request. 5) Additional colour finishes may be available on request. 6) Refer to our website for a full list of terms and conditions.

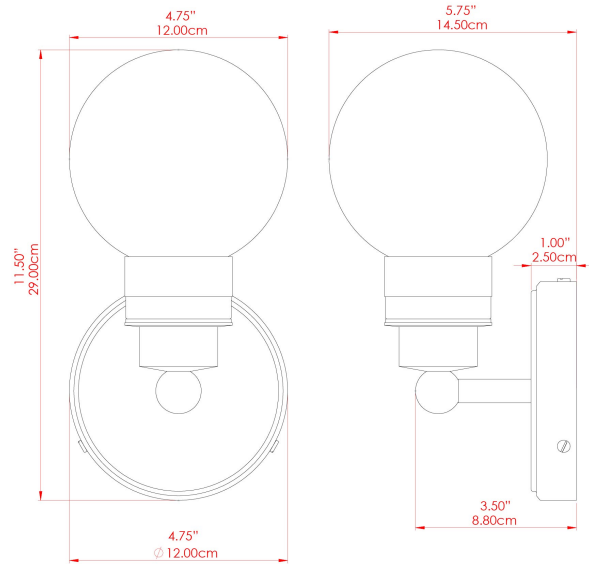




MATERIAL	Brass  Glass
HEIGHT	29cm
WIDTH   DIAMETER	12cm
LENGTH   PROJECTION	14.5cm
WEIGHT	1 kg
LAMPHOLDER	E27
MAX WATTAGE	6.5W
VOLTAGE	220/240v
IP RATING	IP65
CLASS PROTECTION	Class II
SHADE	GL187
FLEX   BAR   CHAIN LENGTH	n/a
CABLE TYPE	-

FIXING BRACKET: MLWB17 | Antique Brass





MATERIAL	Brass  Glass
HEIGHT	29cm
WIDTH   DIAMETER	12cm
LENGTH   PROJECTION	14.5cm
WEIGHT	1 kg
LAMPHOLDER	E27
MAX WATTAGE	6.5W
VOLTAGE	220/240v
IP RATING	IP65
CLASS PROTECTION	Class II
SHADE	GL187
FLEX   BAR   CHAIN LENGTH	n/a
CABLE TYPE	-

### FIXING BRACKET: MLWB17 | Antique Silver

