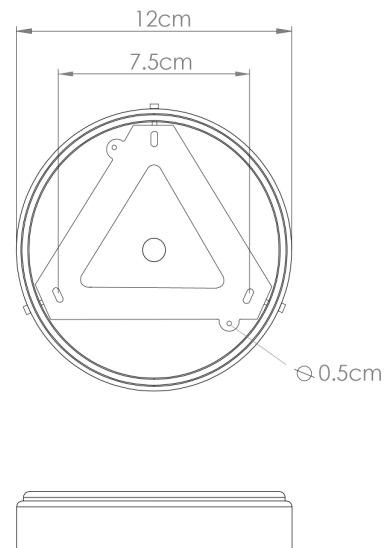


MATERIAL	Brass Glass
HEIGHT	77cm 30.31"
WIDTH DIAMETER	12cm 4.72"
LENGTH PROJECTION	15cm 5.91"
WEIGHT	1.2KG 2.65lbs
LAMP HOLDER	G9
MAX WATTAGE	6.5W x 2
VOLTAGE	220/240v or 110/120v*
IP RATING	44
CLASS PROTECTION	I
SHADE CODE	GL196
CABLE CHAIN BAR LENGT	n/a
CABLE TYPE	-

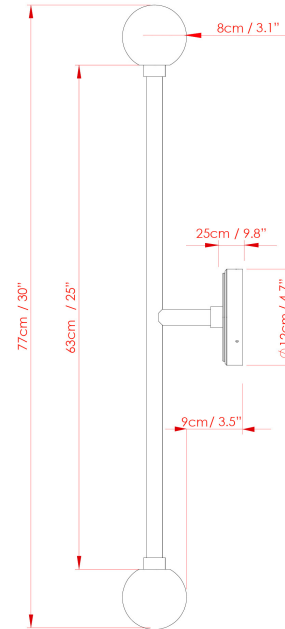
Fixing Bracket MLWB17

* Fixing bracket may differ for UL wired products.



Product Notes:

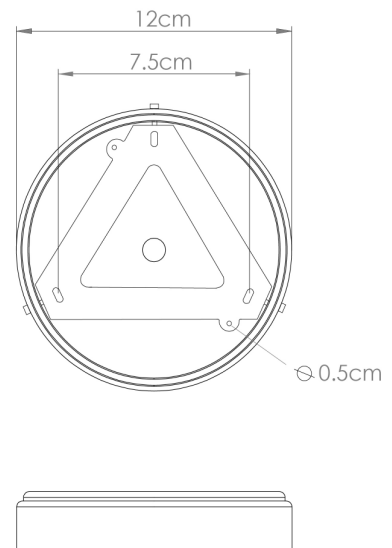
1) Bulbs not included. 2) Dimensions do not include bulbs. 3) All products are individually made-to-order and therefore may differ slightly within manufacturing tolerances. 4) Cable / chain can be shortened during installation. Longer cable / chain lengths available on request. 5) Additional colour finishes may be available on request. 6) UL wired products operate at 110/120v with the appropriate lamp holder. 7) Twisted cable is not available for UL wired products. Round cable in black or brown only is supplied instead. 8) Refer to our website for a full list of terms and conditions.



MATERIAL	Brass Glass
HEIGHT	77cm 30.31"
WIDTH DIAMETER	12cm 4.72"
LENGTH PROJECTION	15cm 5.91"
WEIGHT	1.2KG 2.65lbs
LAMP HOLDER	G9
MAX WATTAGE	6.5W x 2
VOLTAGE	220/240v or 110/120v*
IP RATING	44
CLASS PROTECTION	I
SHADE CODE	GL208
CABLE CHAIN BAR LENGT	n/a
CABLE TYPE	-

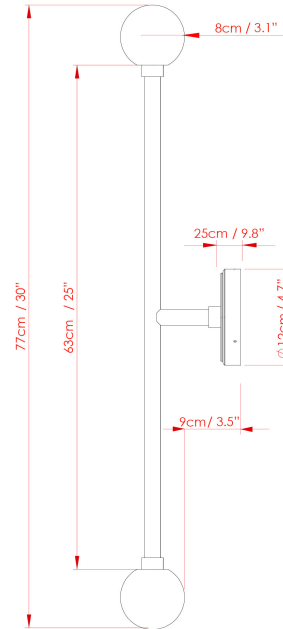
Fixing Bracket MLWB17

* Fixing bracket may differ for UL wired products.



Product Notes:

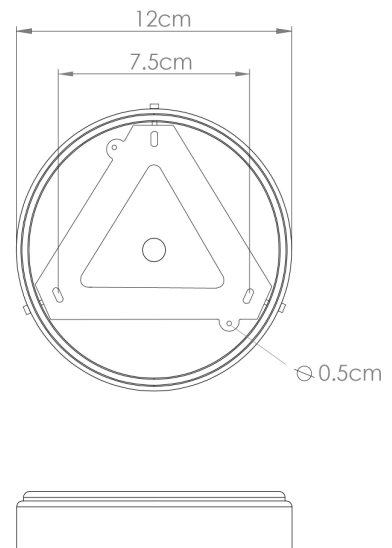
1) Bulbs not included. 2) Dimensions do not include bulbs. 3) All products are individually made-to-order and therefore may differ slightly within manufacturing tolerances. 4) Cable / chain can be shortened during installation. Longer cable / chain lengths available on request. 5) Additional colour finishes may be available on request. 6) UL wired products operate at 110/120v with the appropriate lamp holder. 7) Twisted cable is not available for UL wired products. Round cable in black or brown only is supplied instead. 8) Refer to our website for a full list of terms and conditions.



MATERIAL	Brass Glass
HEIGHT	77cm 30.31"
WIDTH DIAMETER	12cm 4.72"
LENGTH PROJECTION	15cm 5.91"
WEIGHT	1.2KG 2.65lbs
LAMP HOLDER	G9
MAX WATTAGE	6.5W x 2
VOLTAGE	220/240v or 110/120v*
IP RATING	44
CLASS PROTECTION	I
SHADE CODE	GL192
CABLE CHAIN BAR LENGT	n/a
CABLE TYPE	-

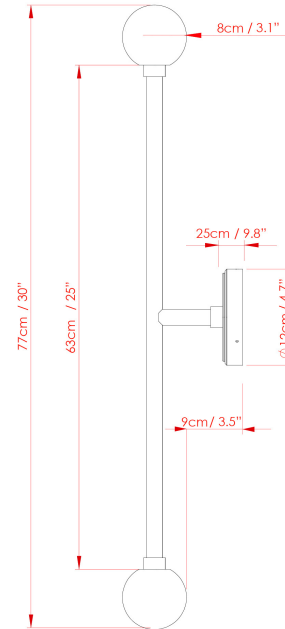
Fixing Bracket MLWB17

* Fixing bracket may differ for UL wired products.



Product Notes:

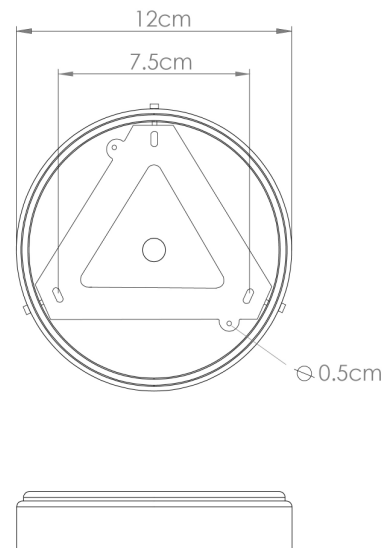
1) Bulbs not included. 2) Dimensions do not include bulbs. 3) All products are individually made-to-order and therefore may differ slightly within manufacturing tolerances. 4) Cable / chain can be shortened during installation. Longer cable / chain lengths available on request. 5) Additional colour finishes may be available on request. 6) UL wired products operate at 110/120v with the appropriate lamp holder. 7) Twisted cable is not available for UL wired products. Round cable in black or brown only is supplied instead. 8) Refer to our website for a full list of terms and conditions.



MATERIAL	Brass Glass
HEIGHT	77cm 30.31"
WIDTH DIAMETER	12cm 4.72"
LENGTH PROJECTION	15cm 5.91"
WEIGHT	1.2KG 2.65lbs
LAMP HOLDER	G9
MAX WATTAGE	6.5W x 2
VOLTAGE	220/240v or 110/120v*
IP RATING	44
CLASS PROTECTION	I
SHADE CODE	GL196
CABLE CHAIN BAR LENGT	n/a
CABLE TYPE	-

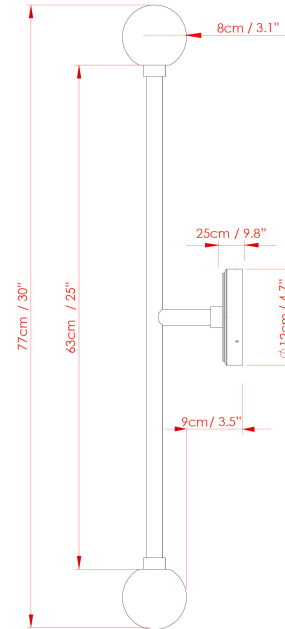
Fixing Bracket MLWB17

* Fixing bracket may differ for UL wired products.



Product Notes:

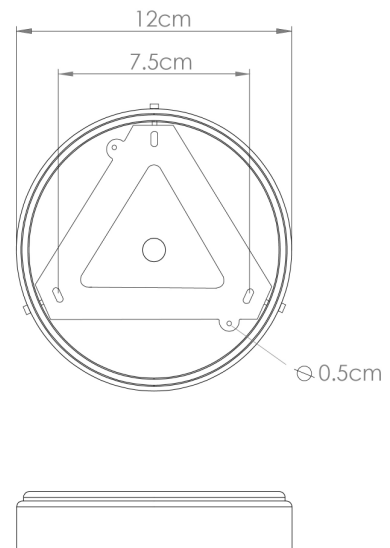
1) Bulbs not included. 2) Dimensions do not include bulbs. 3) All products are individually made-to-order and therefore may differ slightly within manufacturing tolerances. 4) Cable / chain can be shortened during installation. Longer cable / chain lengths available on request. 5) Additional colour finishes may be available on request. 6) UL wired products operate at 110/120v with the appropriate lamp holder. 7) Twisted cable is not available for UL wired products. Round cable in black or brown only is supplied instead. 8) Refer to our website for a full list of terms and conditions.



MATERIAL	Brass Glass
HEIGHT	77cm 30.31"
WIDTH DIAMETER	12cm 4.72"
LENGTH PROJECTION	15cm 5.91"
WEIGHT	1.2KG 2.65lbs
LAMP HOLDER	G9
MAX WATTAGE	6.5W x 2
VOLTAGE	220/240v or 110/120v*
IP RATING	44
CLASS PROTECTION	I
SHADE CODE	GL208
CABLE CHAIN BAR LENGT	n/a
CABLE TYPE	-

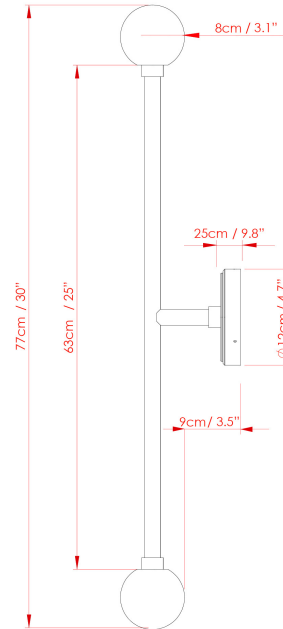
Fixing Bracket MLWB17

* Fixing bracket may differ for UL wired products.



Product Notes:

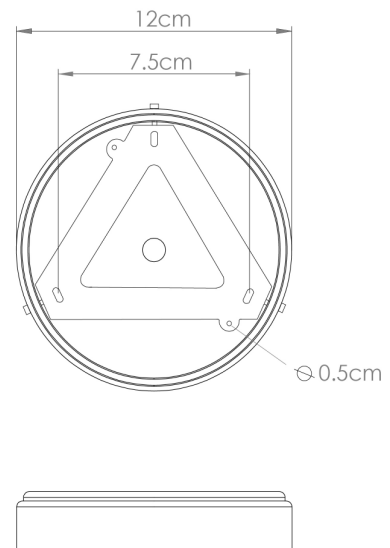
1) Bulbs not included. 2) Dimensions do not include bulbs. 3) All products are individually made-to-order and therefore may differ slightly within manufacturing tolerances. 4) Cable / chain can be shortened during installation. Longer cable / chain lengths available on request. 5) Additional colour finishes may be available on request. 6) UL wired products operate at 110/120v with the appropriate lamp holder. 7) Twisted cable is not available for UL wired products. Round cable in black or brown only is supplied instead. 8) Refer to our website for a full list of terms and conditions.



MATERIAL	Brass Glass
HEIGHT	77cm 30.31"
WIDTH DIAMETER	12cm 4.72"
LENGTH PROJECTION	15cm 5.91"
WEIGHT	1.2KG 2.65lbs
LAMP HOLDER	G9
MAX WATTAGE	6.5W x 2
VOLTAGE	220/240v or 110/120v*
IP RATING	44
CLASS PROTECTION	I
SHADE CODE	GL192
CABLE CHAIN BAR LENGT	n/a
CABLE TYPE	-

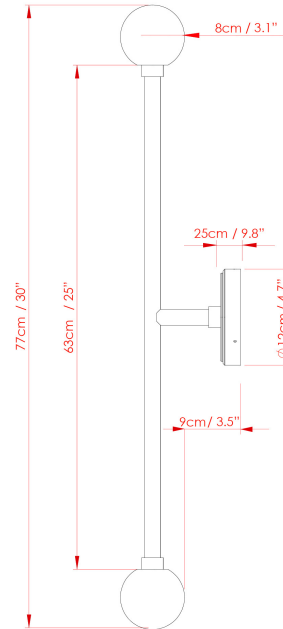
Fixing Bracket MLWB17

* Fixing bracket may differ for UL wired products.



Product Notes:

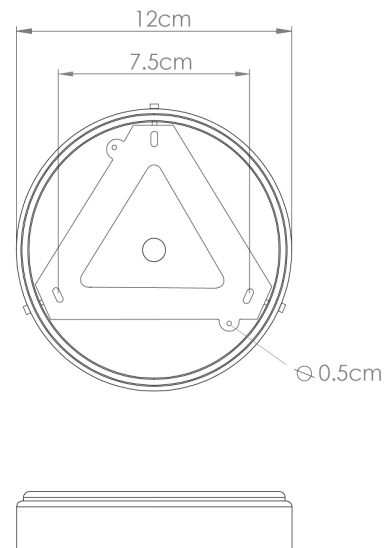
1) Bulbs not included. 2) Dimensions do not include bulbs. 3) All products are individually made-to-order and therefore may differ slightly within manufacturing tolerances. 4) Cable / chain can be shortened during installation. Longer cable / chain lengths available on request. 5) Additional colour finishes may be available on request. 6) UL wired products operate at 110/120v with the appropriate lamp holder. 7) Twisted cable is not available for UL wired products. Round cable in black or brown only is supplied instead. 8) Refer to our website for a full list of terms and conditions.



MATERIAL	Brass Glass
HEIGHT	77cm 30.31"
WIDTH DIAMETER	12cm 4.72"
LENGTH PROJECTION	15cm 5.91"
WEIGHT	1.2KG 2.65lbs
LAMP HOLDER	G9
MAX WATTAGE	6.5W x 2
VOLTAGE	220/240v or 110/120v *
IP RATING	44
CLASS PROTECTION	I
SHADE CODE	GL196
CABLE CHAIN BAR LENGT	n/a
CABLE TYPE	-

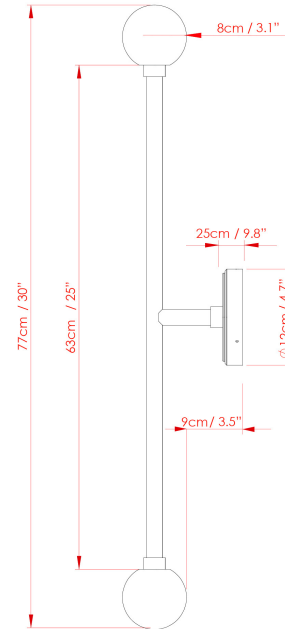
Fixing Bracket MLWB17

* Fixing bracket may differ for UL wired products.



Product Notes:

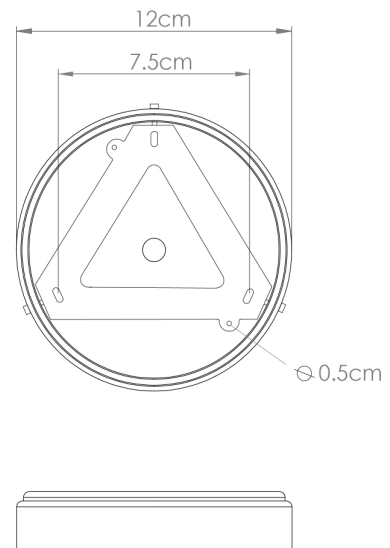
1) Bulbs not included. 2) Dimensions do not include bulbs. 3) All products are individually made-to-order and therefore may differ slightly within manufacturing tolerances. 4) Cable / chain can be shortened during installation. Longer cable / chain lengths available on request. 5) Additional colour finishes may be available on request. 6) UL wired products operate at 110/120v with the appropriate lamp holder. 7) Twisted cable is not available for UL wired products. Round cable in black or brown only is supplied instead. 8) Refer to our website for a full list of terms and conditions.



MATERIAL	Brass Glass
HEIGHT	77cm 30.31"
WIDTH DIAMETER	12cm 4.72"
LENGTH PROJECTION	15cm 5.91"
WEIGHT	1.2KG 2.65lbs
LAMP HOLDER	G9
MAX WATTAGE	6.5W x 2
VOLTAGE	220/240v or 110/120v *
IP RATING	44
CLASS PROTECTION	I
SHADE CODE	GL208
CABLE CHAIN BAR LENGT	n/a
CABLE TYPE	-

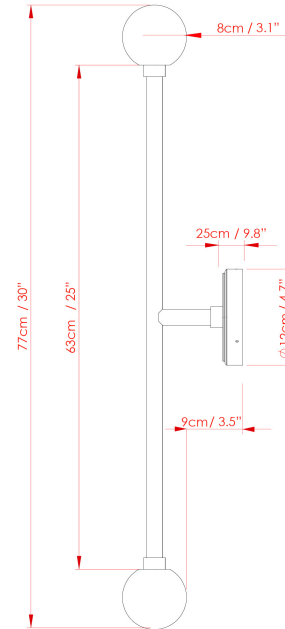
Fixing Bracket MLWB17

* Fixing bracket may differ for UL wired products.



Product Notes:

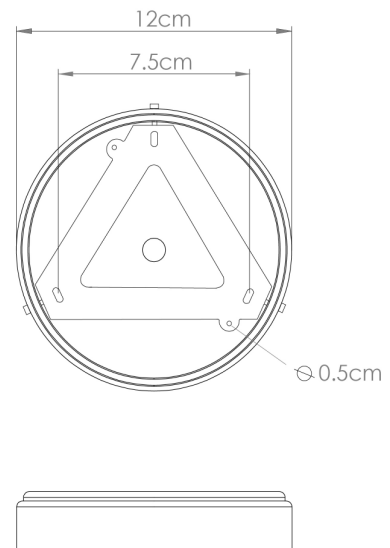
1) Bulbs not included. 2) Dimensions do not include bulbs. 3) All products are individually made-to-order and therefore may differ slightly within manufacturing tolerances. 4) Cable / chain can be shortened during installation. Longer cable / chain lengths available on request. 5) Additional colour finishes may be available on request. 6) UL wired products operate at 110/120v with the appropriate lamp holder. 7) Twisted cable is not available for UL wired products. Round cable in black or brown only is supplied instead. 8) Refer to our website for a full list of terms and conditions.



MATERIAL	Brass Glass
HEIGHT	77cm 30.31"
WIDTH DIAMETER	12cm 4.72"
LENGTH PROJECTION	15cm 5.91"
WEIGHT	1.2KG 2.65lbs
LAMP HOLDER	G9
MAX WATTAGE	6.5W x 2
VOLTAGE	220/240v or 110/120v*
IP RATING	44
CLASS PROTECTION	I
SHADE CODE	GL192
CABLE CHAIN BAR LENGT	n/a
CABLE TYPE	-

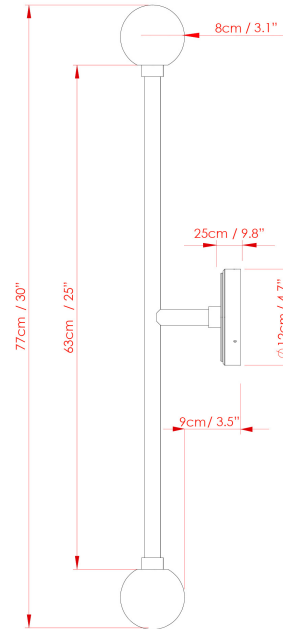
Fixing Bracket MLWB17

* Fixing bracket may differ for UL wired products.



Product Notes:

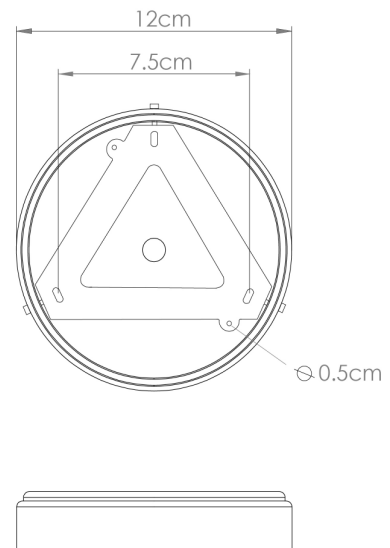
1) Bulbs not included. 2) Dimensions do not include bulbs. 3) All products are individually made-to-order and therefore may differ slightly within manufacturing tolerances. 4) Cable / chain can be shortened during installation. Longer cable / chain lengths available on request. 5) Additional colour finishes may be available on request. 6) UL wired products operate at 110/120v with the appropriate lamp holder. 7) Twisted cable is not available for UL wired products. Round cable in black or brown only is supplied instead. 8) Refer to our website for a full list of terms and conditions.



MATERIAL	Brass Glass
HEIGHT	77cm 30.31"
WIDTH DIAMETER	12cm 4.72"
LENGTH PROJECTION	15cm 5.91"
WEIGHT	1.2KG 2.65lbs
LAMP HOLDER	G9
MAX WATTAGE	6.5W x 2
VOLTAGE	220/240v or 110/120v*
IP RATING	44
CLASS PROTECTION	I
SHADE CODE	GL196
CABLE CHAIN BAR LENGT	n/a
CABLE TYPE	-

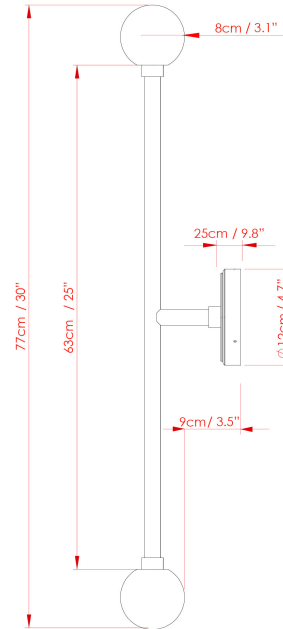
Fixing Bracket MLWB17

* Fixing bracket may differ for UL wired products.



Product Notes:

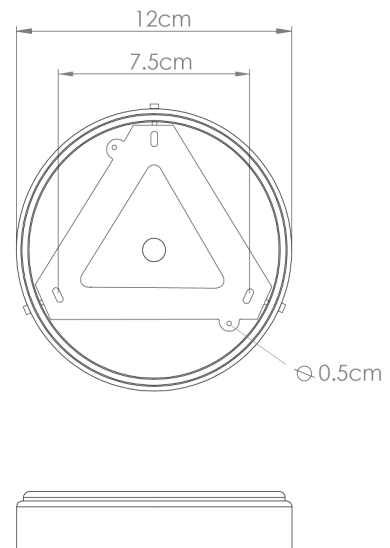
1) Bulbs not included. 2) Dimensions do not include bulbs. 3) All products are individually made-to-order and therefore may differ slightly within manufacturing tolerances. 4) Cable / chain can be shortened during installation. Longer cable / chain lengths available on request. 5) Additional colour finishes may be available on request. 6) UL wired products operate at 110/120v with the appropriate lamp holder. 7) Twisted cable is not available for UL wired products. Round cable in black or brown only is supplied instead. 8) Refer to our website for a full list of terms and conditions.



MATERIAL	Brass Glass
HEIGHT	77cm 30.31"
WIDTH DIAMETER	12cm 4.72"
LENGTH PROJECTION	15cm 5.91"
WEIGHT	1.2KG 2.65lbs
LAMP HOLDER	G9
MAX WATTAGE	6.5W x 2
VOLTAGE	220/240v or 110/120v*
IP RATING	44
CLASS PROTECTION	I
SHADE CODE	GL208
CABLE CHAIN BAR LENGT	n/a
CABLE TYPE	-

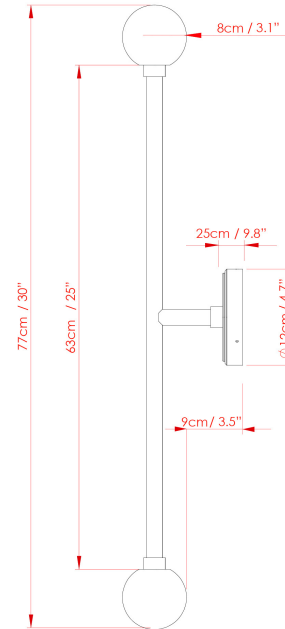
Fixing Bracket MLWB17

* Fixing bracket may differ for UL wired products.



Product Notes:

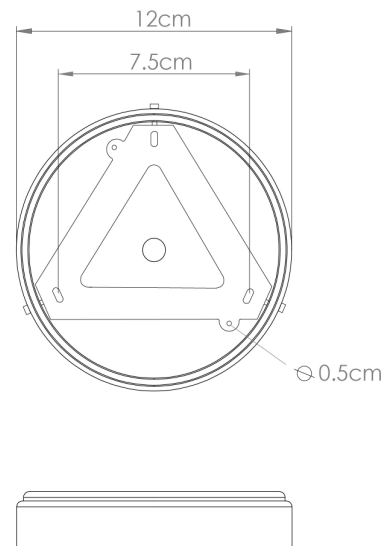
1) Bulbs not included. 2) Dimensions do not include bulbs. 3) All products are individually made-to-order and therefore may differ slightly within manufacturing tolerances. 4) Cable / chain can be shortened during installation. Longer cable / chain lengths available on request. 5) Additional colour finishes may be available on request. 6) UL wired products operate at 110/120v with the appropriate lamp holder. 7) Twisted cable is not available for UL wired products. Round cable in black or brown only is supplied instead. 8) Refer to our website for a full list of terms and conditions.



MATERIAL	Brass Glass
HEIGHT	77cm 30.31"
WIDTH DIAMETER	12cm 4.72"
LENGTH PROJECTION	15cm 5.91"
WEIGHT	1.2KG 2.65lbs
LAMP HOLDER	G9
MAX WATTAGE	6.5W x 2
VOLTAGE	220/240v or 110/120v*
IP RATING	44
CLASS PROTECTION	I
SHADE CODE	GL192
CABLE CHAIN BAR LENGT	n/a
CABLE TYPE	-

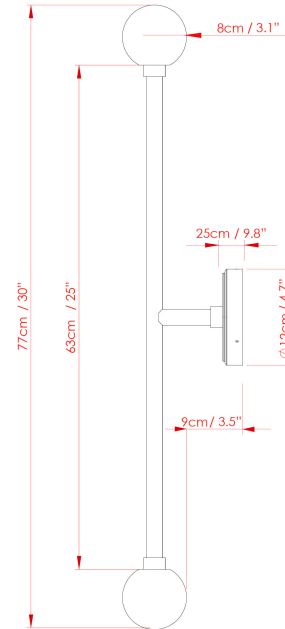
Fixing Bracket MLWB17

* Fixing bracket may differ for UL wired products.



Product Notes:

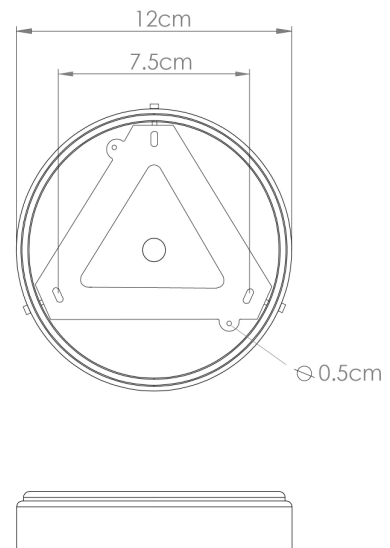
1) Bulbs not included. 2) Dimensions do not include bulbs. 3) All products are individually made-to-order and therefore may differ slightly within manufacturing tolerances. 4) Cable / chain can be shortened during installation. Longer cable / chain lengths available on request. 5) Additional colour finishes may be available on request. 6) UL wired products operate at 110/120v with the appropriate lamp holder. 7) Twisted cable is not available for UL wired products. Round cable in black or brown only is supplied instead. 8) Refer to our website for a full list of terms and conditions.



MATERIAL	Brass Glass
HEIGHT	77cm 30.31"
WIDTH DIAMETER	12cm 4.72"
LENGTH PROJECTION	15cm 5.91"
WEIGHT	1.2KG 2.65lbs
LAMP HOLDER	G9
MAX WATTAGE	6.5W x 2
VOLTAGE	220/240v or 110/120v*
IP RATING	44
CLASS PROTECTION	I
SHADE CODE	GL196
CABLE CHAIN BAR LENGT	n/a
CABLE TYPE	-

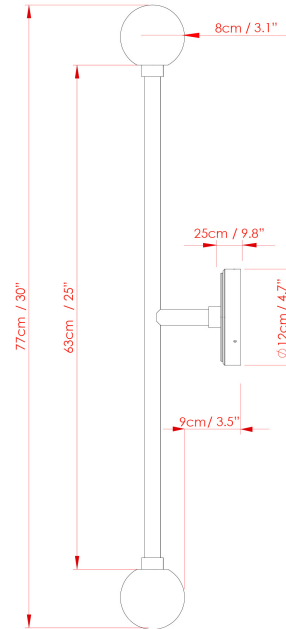
Fixing Bracket MLWB17

* Fixing bracket may differ for UL wired products.



Product Notes:

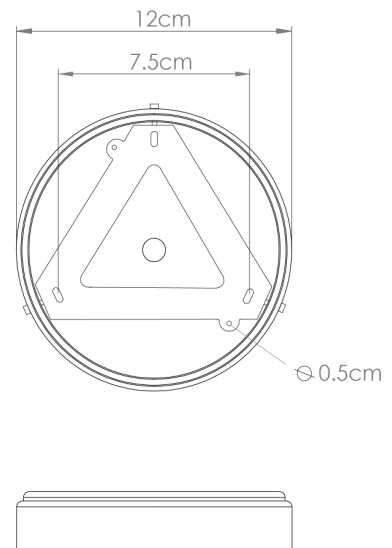
1) Bulbs not included. 2) Dimensions do not include bulbs. 3) All products are individually made-to-order and therefore may differ slightly within manufacturing tolerances. 4) Cable / chain can be shortened during installation. Longer cable / chain lengths available on request. 5) Additional colour finishes may be available on request. 6) UL wired products operate at 110/120v with the appropriate lamp holder. 7) Twisted cable is not available for UL wired products. Round cable in black or brown only is supplied instead. 8) Refer to our website for a full list of terms and conditions.



MATERIAL	Brass Glass
HEIGHT	77cm 30.31"
WIDTH DIAMETER	12cm 4.72"
LENGTH PROJECTION	15cm 5.91"
WEIGHT	1.2KG 2.65lbs
LAMP HOLDER	G9
MAX WATTAGE	6.5W x 2
VOLTAGE	220/240v or 110/120v*
IP RATING	44
CLASS PROTECTION	I
SHADE CODE	GL208
CABLE CHAIN BAR LENGT	n/a
CABLE TYPE	-

Fixing Bracket MLWB17

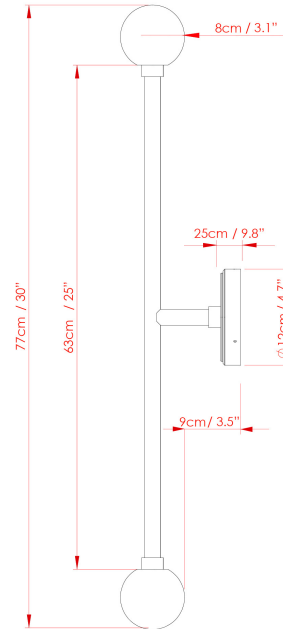
* Fixing bracket may differ for UL wired products.



Product Notes:

1) Bulbs not included. 2) Dimensions do not include bulbs. 3) All products are individually made-to-order and therefore may differ slightly within manufacturing tolerances. 4) Cable / chain can be shortened during installation. Longer cable / chain lengths available on request. 5) Additional colour finishes may be available on request. 6) UL wired products operate at 110/120v with the appropriate lamp holder. 7) Twisted cable is not available for UL wired products. Round cable in black or brown only is supplied instead. 8) Refer to our website for a full list of terms and conditions.

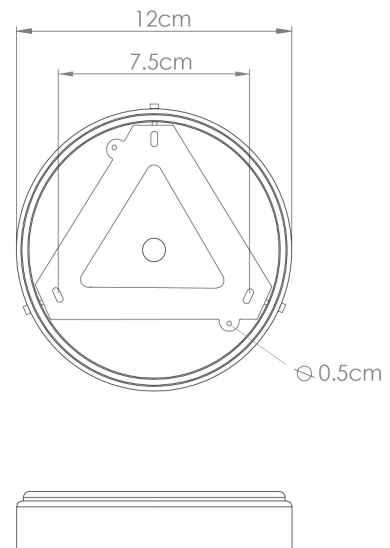




MATERIAL	Brass Glass
HEIGHT	77cm 30.31"
WIDTH DIAMETER	12cm 4.72"
LENGTH PROJECTION	15cm 5.91"
WEIGHT	1.2KG 2.65lbs
LAMP HOLDER	G9
MAX WATTAGE	6.5W x 2
VOLTAGE	220/240v or 110/120v*
IP RATING	44
CLASS PROTECTION	I
SHADE CODE	GL192
CABLE CHAIN BAR LENGT	n/a
CABLE TYPE	-

Fixing Bracket MLWB17

* Fixing bracket may differ for UL wired products.



Product Notes:

1) Bulbs not included. 2) Dimensions do not include bulbs. 3) All products are individually made-to-order and therefore may differ slightly within manufacturing tolerances. 4) Cable / chain can be shortened during installation. Longer cable / chain lengths available on request. 5) Additional colour finishes may be available on request. 6) UL wired products operate at 110/120v with the appropriate lamp holder. 7) Twisted cable is not available for UL wired products. Round cable in black or brown only is supplied instead. 8) Refer to our website for a full list of terms and conditions.