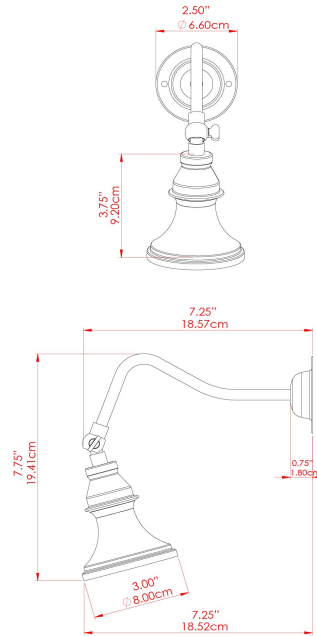


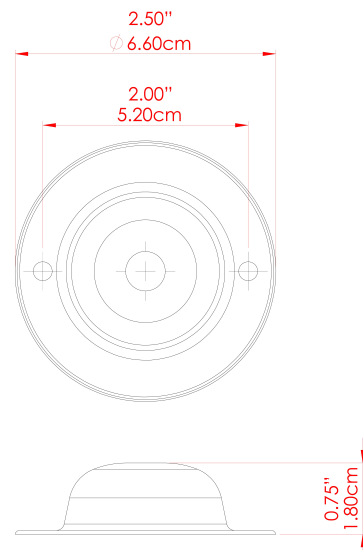
# KENT Wall Light

## MLWL179ANTBRS Antique Brass



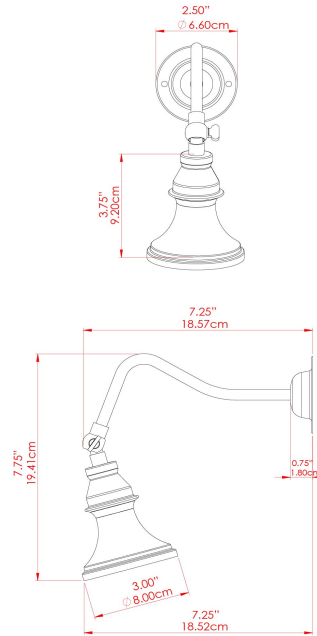
MATERIAL	Brass
HEIGHT	18cm
WIDTH   DIAMETER	8cm
LENGTH   PROJECTION	20-31cm
WEIGHT	0.22 kg
LAMPHOLDER	GU10
MAX WATTAGE	6.5W
VOLTAGE	220/240v
IP RATING	IP20
CLASS PROTECTION	Class I
SHADE	-
FLEX   BAR   CHAIN LENGTH	n/a
CABLE TYPE	-

### FIXING BRACKET: MLWB04 | Antique Brass



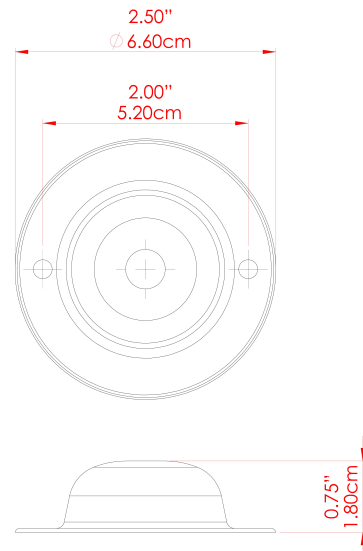
# KENT Wall Light

## MLWL179ANTSLV Antique Silver



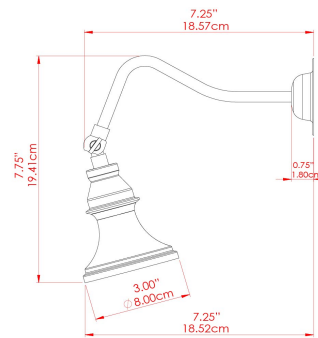
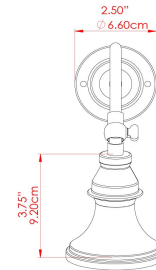
MATERIAL	Brass
HEIGHT	18cm
WIDTH   DIAMETER	8cm
LENGTH   PROJECTION	20-31cm
WEIGHT	0.22 kg
LAMPHOLDER	GU10
MAX WATTAGE	6.5W
VOLTAGE	220/240v
IP RATING	IP20
CLASS PROTECTION	Class I
SHADE	-
FLEX   BAR   CHAIN LENGTH	n/a
CABLE TYPE	-

### FIXING BRACKET: MLWB04 | Antique Silver



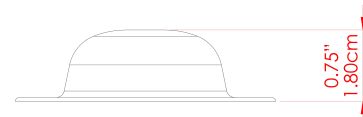
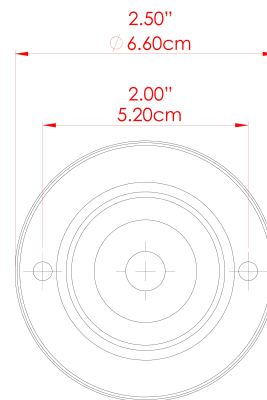
# KENT Wall Light

MLWL179PCBLK Black



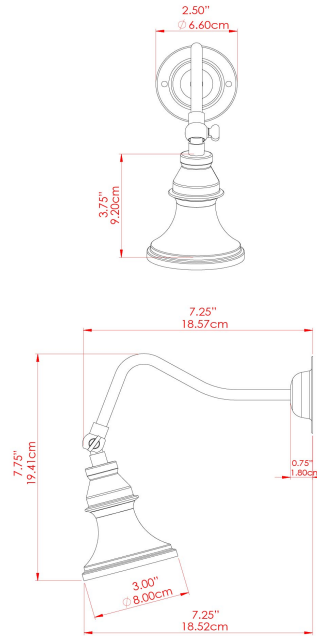
MATERIAL	Brass
HEIGHT	18cm
WIDTH   DIAMETER	8cm
LENGTH   PROJECTION	20-31cm
WEIGHT	0.22 kg
LAMPHOLDER	GU10
MAX WATTAGE	6.5W
VOLTAGE	220/240v
IP RATING	IP20
CLASS PROTECTION	Class I
SHADE	-
FLEX   BAR   CHAIN LENGTH	n/a
CABLE TYPE	-

FIXING BRACKET: MLWB04 | Black



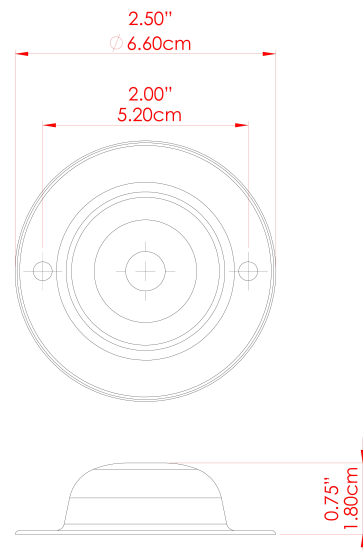
# KENT Wall Light

MLWL179POLBRS Polished Brass



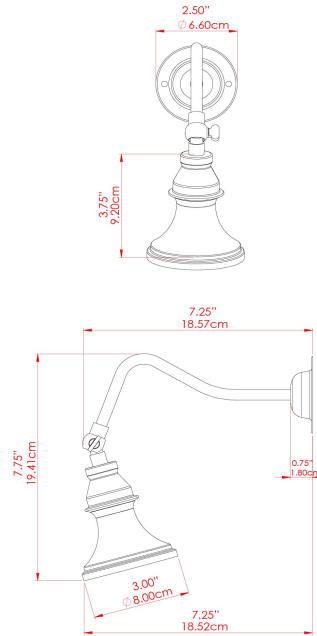
MATERIAL	Brass
HEIGHT	18cm
WIDTH   DIAMETER	8cm
LENGTH   PROJECTION	20-31cm
WEIGHT	0.22 kg
LAMPHOLDER	GU10
MAX WATTAGE	6.5W
VOLTAGE	220/240v
IP RATING	IP20
CLASS PROTECTION	Class I
SHADE	-
FLEX   BAR   CHAIN LENGTH	n/a
CABLE TYPE	-

### FIXING BRACKET: MLWB04 | Polished Brass



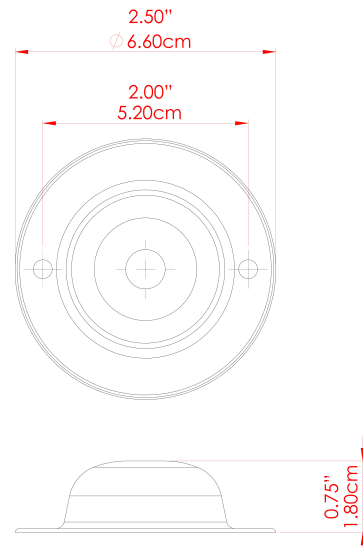
# KENT Wall Light

MLWL179SATBRS Satin Brass



MATERIAL	Brass
HEIGHT	18cm
WIDTH   DIAMETER	8cm
LENGTH   PROJECTION	20-31cm
WEIGHT	0.22 kg
LAMPHOLDER	GU10
MAX WATTAGE	6.5W
VOLTAGE	220/240v
IP RATING	IP20
CLASS PROTECTION	Class I
SHADE	-
FLEX   BAR   CHAIN LENGTH	n/a
CABLE TYPE	-

FIXING BRACKET: MLWB04 | Satin Brass



Product Notes:  
 1) Bulbs not included. 2) Dimensions do not include bulbs. 3) All products are individually made-to-order and therefore may differ slightly within manufacturing tolerances. 4) Cable / chain can be shortened during installation. Longer cable / chain lengths available on request. 5) Additional colour finishes may be available on request. 6) Refer to our website for a full list of terms and conditions.

