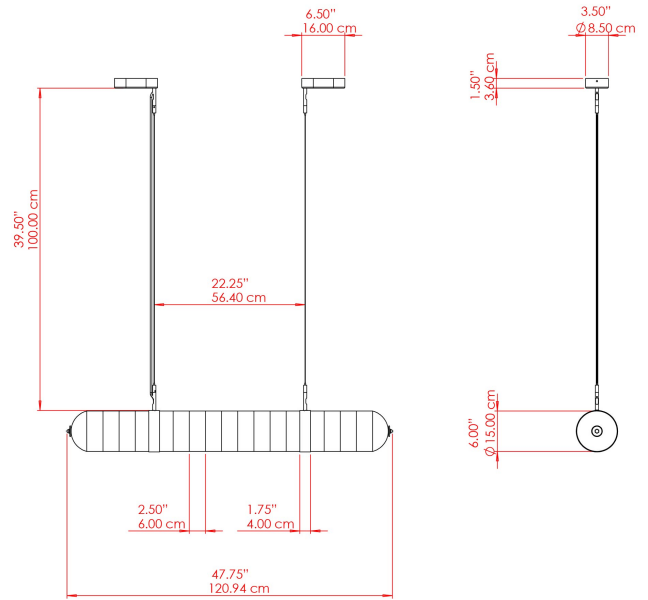


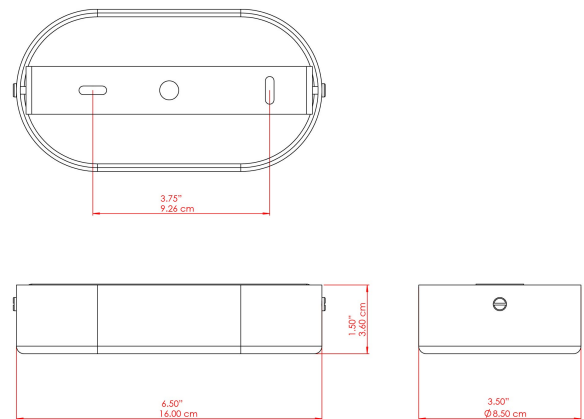
ASHFORD Pendant

MLP510ANTBRS Antique Brass



MATERIAL	Brass Steel Acrylic
HEIGHT	138.4cm
WIDTH DIAMETER	15cm
LENGTH PROJECTION	120.9cm
WEIGHT	5.2 kg
LAMPHOLDER	Integrated
MAX WATTAGE	25W
VOLTAGE	220/240v
IP RATING	IP20
CLASS PROTECTION	Class II
SHADE	-
FLEX BAR CHAIN LENGTH	100cm
CABLE TYPE	MLCA014 Clear PVC Flexible Cable 2 Core

FIXING BRACKET: MLROSE98

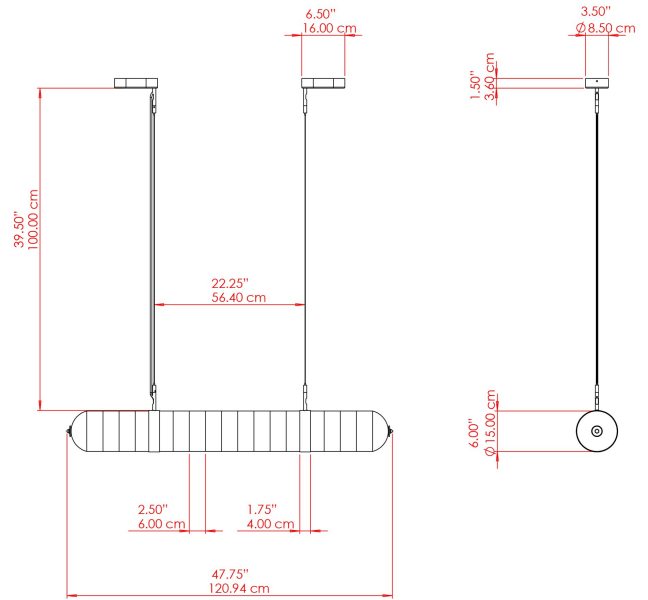


Product Notes:
 1) Integrated LED included. 2) Dimensions do not include bulbs. 3) All products are individually made-to-order and therefore may differ slightly within manufacturing tolerances. 4) Cable / chain can be shortened during installation. Longer cable / chain lengths available on request. 5) Additional colour finishes may be available on request. 6) Refer to our website for a full list of terms and conditions.



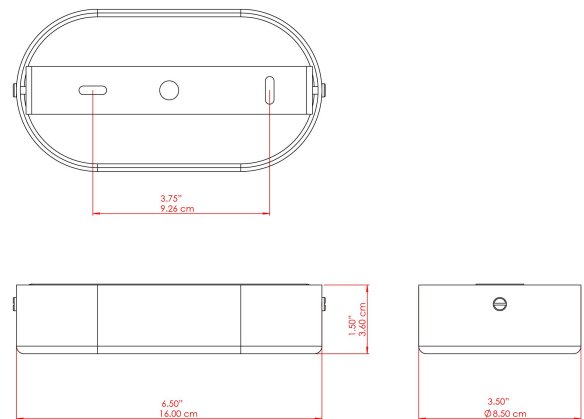
ASHFORD Pendant

MLP510ANTSLV Antique Silver



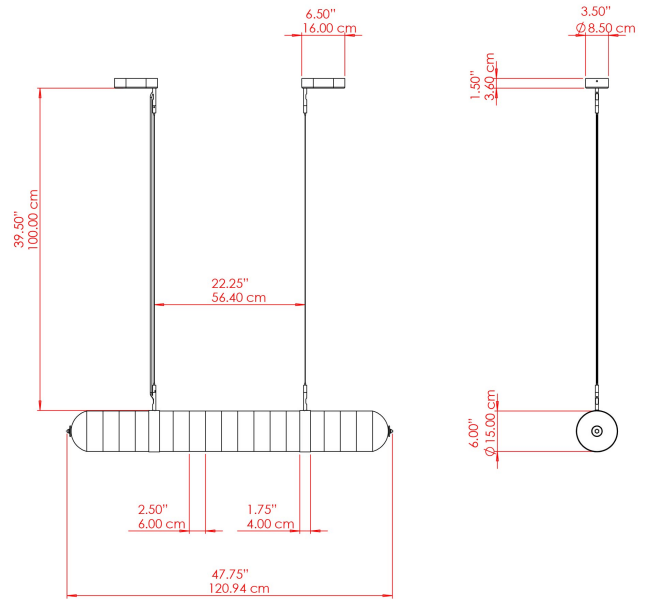
MATERIAL	Brass Steel Acrylic
HEIGHT	138.4cm
WIDTH DIAMETER	15cm
LENGTH PROJECTION	120.9cm
WEIGHT	5.2 kg
LAMPHOLDER	Integrated
MAX WATTAGE	25W
VOLTAGE	220/240v
IP RATING	IP20
CLASS PROTECTION	Class II
SHADE	-
FLEX BAR CHAIN LENGTH	100cm
CABLE TYPE	MLCA014 Clear PVC Flexible Cable 2 Core

FIXING BRACKET: MLROSE98



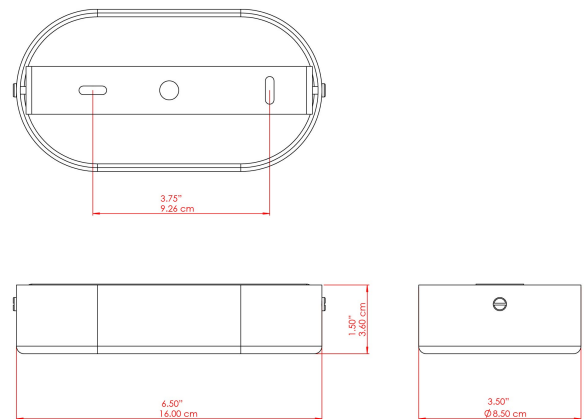
ASHFORD Pendant

MLP510POLBRS Polished Brass



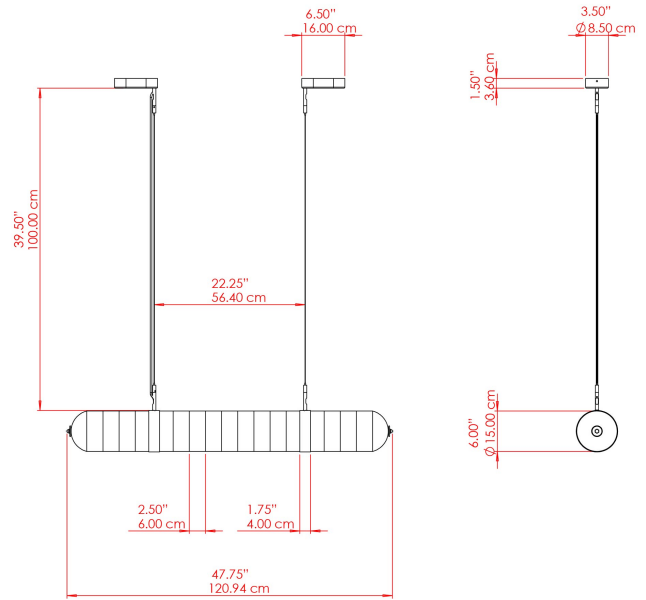
MATERIAL	Brass Steel Acrylic
HEIGHT	138.4cm
WIDTH DIAMETER	15cm
LENGTH PROJECTION	120.9cm
WEIGHT	5.2 kg
LAMPHOLDER	Integrated
MAX WATTAGE	25W
VOLTAGE	220/240v
IP RATING	IP20
CLASS PROTECTION	Class II
SHADE	-
FLEX BAR CHAIN LENGTH	100cm
CABLE TYPE	MLCA014 Clear PVC Flexible Cable 2 Core

FIXING BRACKET: MLROSE98



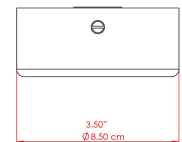
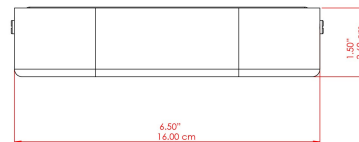
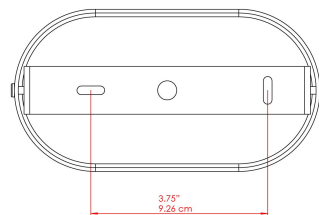
ASHFORD Pendant

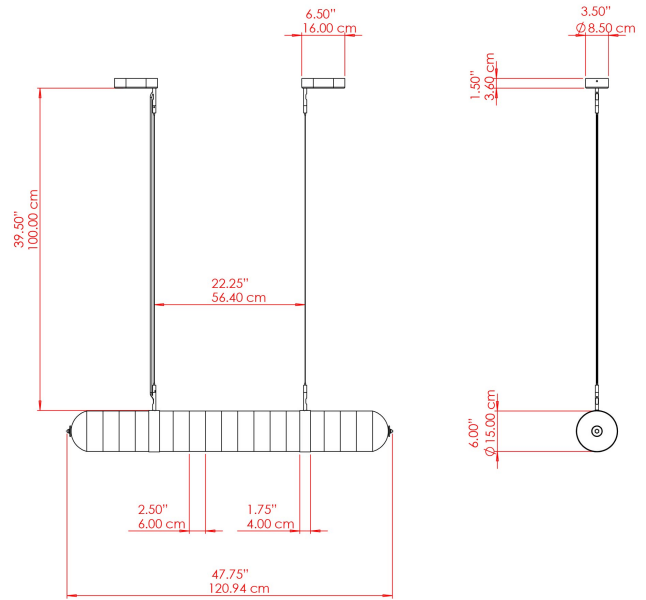
MLP510SATBRS Satin Brass



MATERIAL	Brass Steel Acrylic
HEIGHT	138.4cm
WIDTH DIAMETER	15cm
LENGTH PROJECTION	120.9cm
WEIGHT	5.2 kg
LAMPHOLDER	Integrated
MAX WATTAGE	25W
VOLTAGE	220/240v
IP RATING	IP20
CLASS PROTECTION	Class II
SHADE	-
FLEX BAR CHAIN LENGTH	100cm
CABLE TYPE	MLCA014 Clear PVC Flexible Cable 2 Core

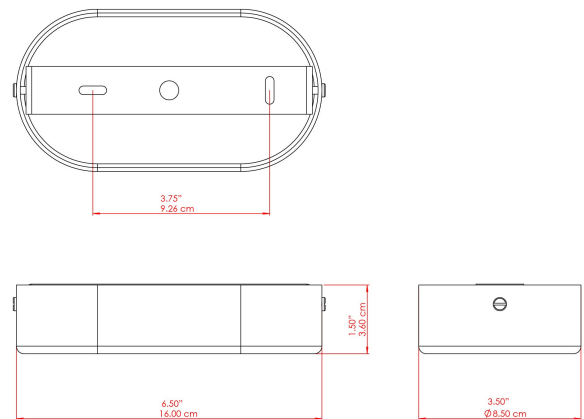
FIXING BRACKET: MLROSE98





MATERIAL	Brass Steel Acrylic
HEIGHT	138.4cm
WIDTH DIAMETER	15cm
LENGTH PROJECTION	120.9cm
WEIGHT	5.2 kg
LAMPHOLDER	Integrated
MAX WATTAGE	25W
VOLTAGE	220/240v
IP RATING	IP20
CLASS PROTECTION	Class II
SHADE	-
FLEX BAR CHAIN LENGTH	100cm
CABLE TYPE	MLCA014 Clear PVC Flexible Cable 2 Core

FIXING BRACKET: MLROSE98



WWW.MULLANLIGHTING.COM

Product Notes:

1) Integrated LED included. 2) Dimensions do not include bulbs. 3) All products are individually made-to-order and therefore may differ slightly within manufacturing tolerances. 4) Cable / chain can be shortened during installation. Longer cable / chain lengths available on request. 5) Additional colour finishes may be available on request. 6) Refer to our website for a full list of terms and conditions.

