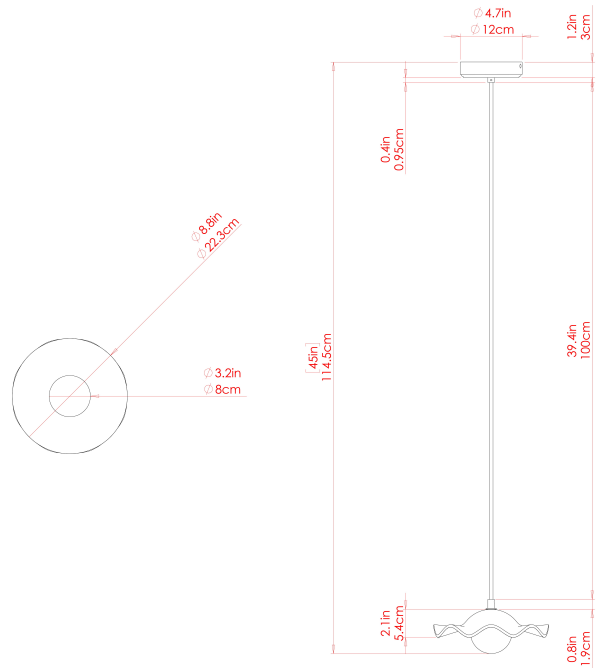


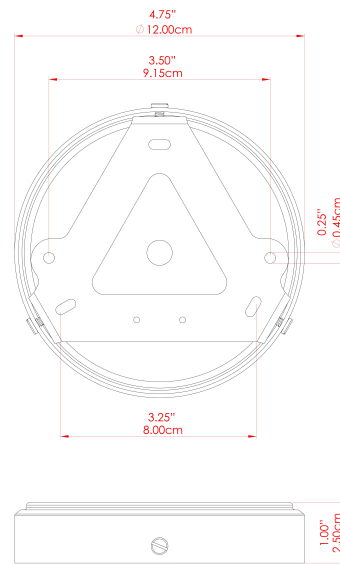
RIVALE Ceramic Pendant

MLCMP088ANTBRSC Antique Brass



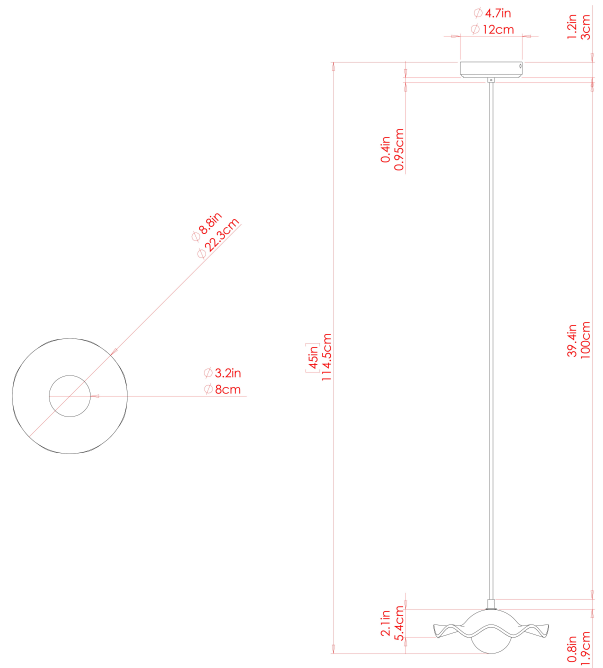
MATERIAL	Brass Ceramic Glass
HEIGHT	8.5cm
WIDTH DIAMETER	21cm
LENGTH PROJECTION	n/a
WEIGHT	0.6 kg
LAMPHOLDER	G9
MAX WATTAGE	6.5W
VOLTAGE	220/240v
IP RATING	IP20
CLASS PROTECTION	Class I
SHADE	MLCS111
FLEX BAR CHAIN LENGTH	100cm
CABLE TYPE	MLCA028 Black Fabric Braided Cable 2 Core Round

FIXING BRACKET: MLWB17 | Antique Brass



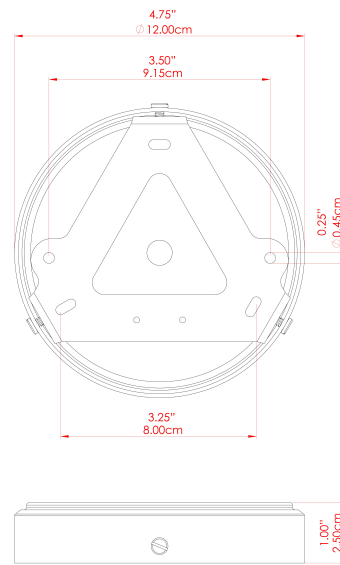
RIVALE Ceramic Pendant

MLCMP088ANTBRSFR Antique Brass



MATERIAL	Brass Ceramic Glass
HEIGHT	8.5cm
WIDTH DIAMETER	21cm
LENGTH PROJECTION	n/a
WEIGHT	0.6 kg
LAMPHOLDER	G9
MAX WATTAGE	6.5W
VOLTAGE	220/240v
IP RATING	IP20
CLASS PROTECTION	Class I
SHADE	MLCS111
FLEX BAR CHAIN LENGTH	100cm
CABLE TYPE	MLCA028 Black Fabric Braided Cable 2 Core Round

FIXING BRACKET: MLWB17 | Antique Brass

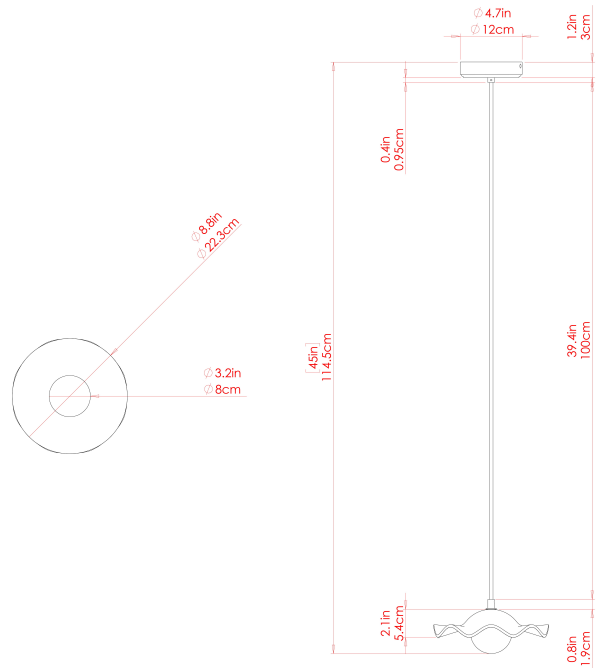


Product Notes:
 1) Bulbs not included. 2) Dimensions do not include bulbs. 3) All products are individually made-to-order and therefore may differ slightly within manufacturing tolerances. 4) Cable / chain can be shortened during installation. Longer cable / chain lengths available on request. 5) Additional colour finishes may be available on request. 6) Refer to our website for a full list of terms and conditions.



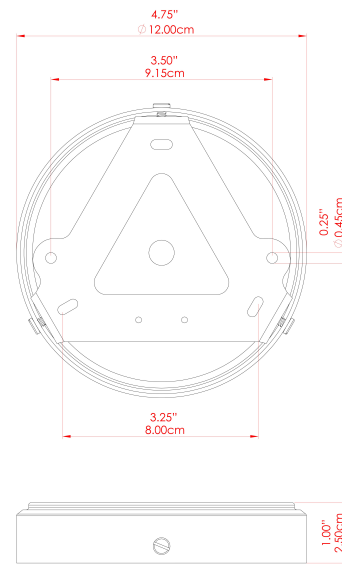
RIVALE Ceramic Pendant

MLCMP088ANTBRSOP Antique Brass



MATERIAL	Brass Ceramic Glass
HEIGHT	8.5cm
WIDTH DIAMETER	21cm
LENGTH PROJECTION	n/a
WEIGHT	0.6 kg
LAMPHOLDER	G9
MAX WATTAGE	6.5W
VOLTAGE	220/240v
IP RATING	IP20
CLASS PROTECTION	Class I
SHADE	MLCS111
FLEX BAR CHAIN LENGTH	100cm
CABLE TYPE	MLCA028 Black Fabric Braided Cable 2 Core Round

FIXING BRACKET: MLWB17 | Antique Brass

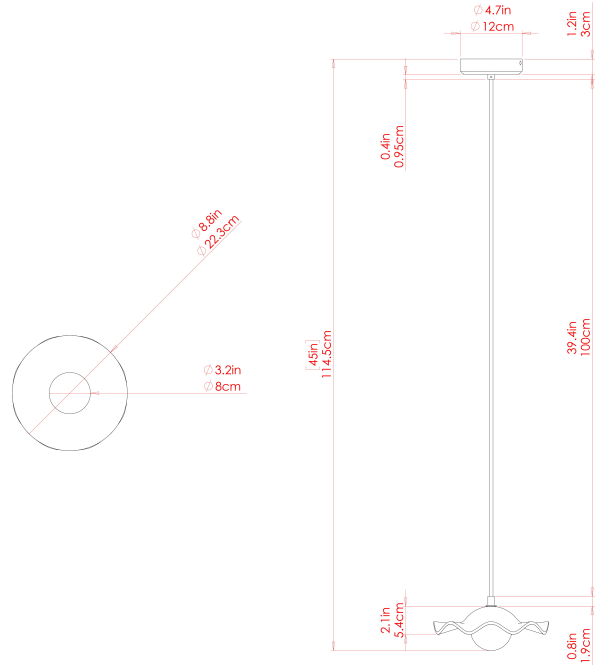


Product Notes:
 1) Bulbs not included. 2) Dimensions do not include bulbs. 3) All products are individually made-to-order and therefore may differ slightly within manufacturing tolerances. 4) Cable / chain can be shortened during installation. Longer cable / chain lengths available on request. 5) Additional colour finishes may be available on request. 6) Refer to our website for a full list of terms and conditions.



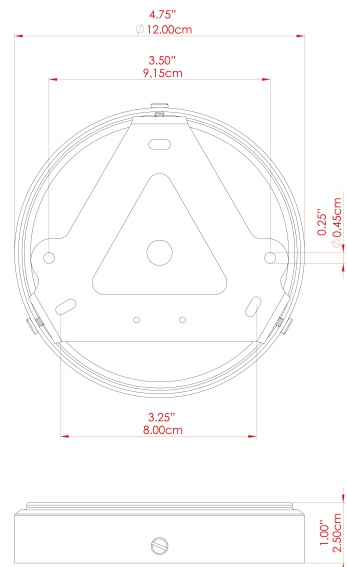
RIVALE Ceramic Pendant

MLCMP088ANTSLVCL Antique Silver



MATERIAL	Brass Ceramic Glass
HEIGHT	8.5cm
WIDTH DIAMETER	21cm
LENGTH PROJECTION	n/a
WEIGHT	0.6 kg
LAMPHOLDER	G9
MAX WATTAGE	6.5W
VOLTAGE	220/240v
IP RATING	IP20
CLASS PROTECTION	Class I
SHADE	MLCS111
FLEX BAR CHAIN LENGTH	100cm
CABLE TYPE	MLCA028 Black Fabric Braided Cable 2 Core Round

FIXING BRACKET: MLWB17 | Antique Silver

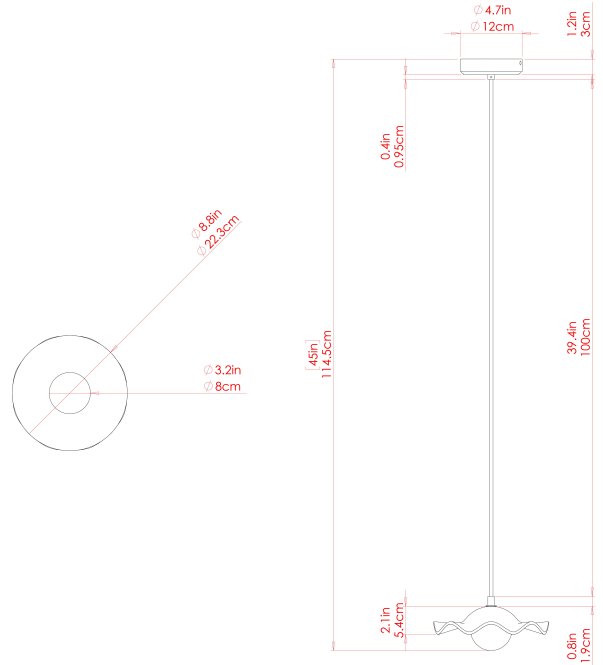


Product Notes:
 1) Bulbs not included. 2) Dimensions do not include bulbs. 3) All products are individually made-to-order and therefore may differ slightly within manufacturing tolerances. 4) Cable / chain can be shortened during installation. Longer cable / chain lengths available on request. 5) Additional colour finishes may be available on request. 6) Refer to our website for a full list of terms and conditions.



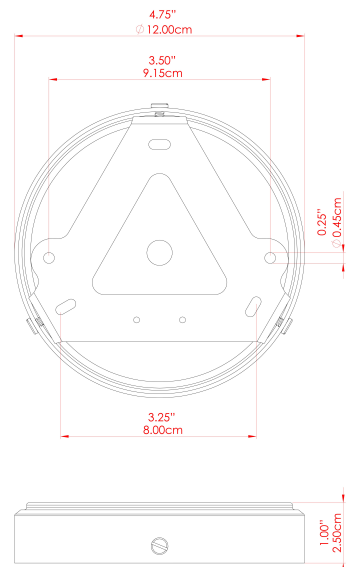
RIVALE Ceramic Pendant

MLCMP088ANTSLVFR Antique Silver



MATERIAL	Brass Ceramic Glass
HEIGHT	8.5cm
WIDTH DIAMETER	21cm
LENGTH PROJECTION	n/a
WEIGHT	0.6 kg
LAMPHOLDER	G9
MAX WATTAGE	6.5W
VOLTAGE	220/240v
IP RATING	IP20
CLASS PROTECTION	Class I
SHADE	MLCS111
FLEX BAR CHAIN LENGTH	100cm
CABLE TYPE	MLCA028 Black Fabric Braided Cable 2 Core Round

FIXING BRACKET: MLWB17 | Antique Silver

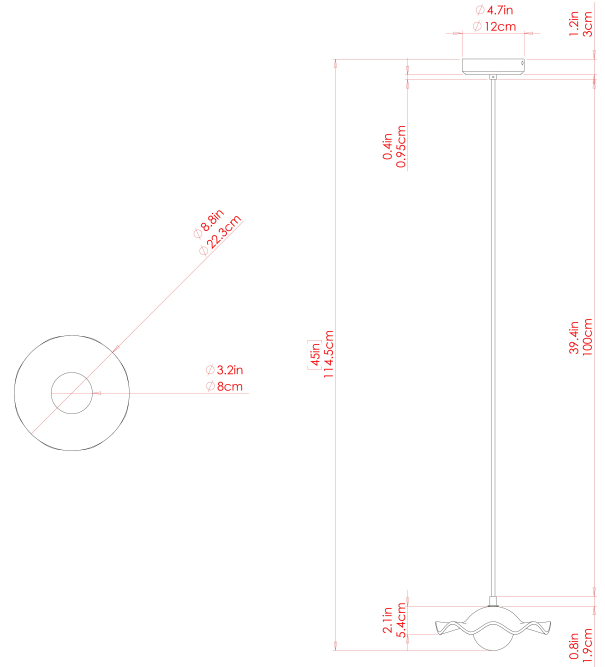


Product Notes:
 1) Bulbs not included. 2) Dimensions do not include bulbs. 3) All products are individually made-to-order and therefore may differ slightly within manufacturing tolerances. 4) Cable / chain can be shortened during installation. Longer cable / chain lengths available on request. 5) Additional colour finishes may be available on request. 6) Refer to our website for a full list of terms and conditions.



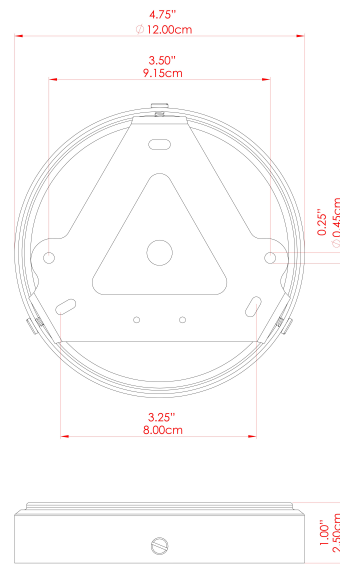
RIVALE Ceramic Pendant

MLCMP088ANTSLVOP Antique Silver



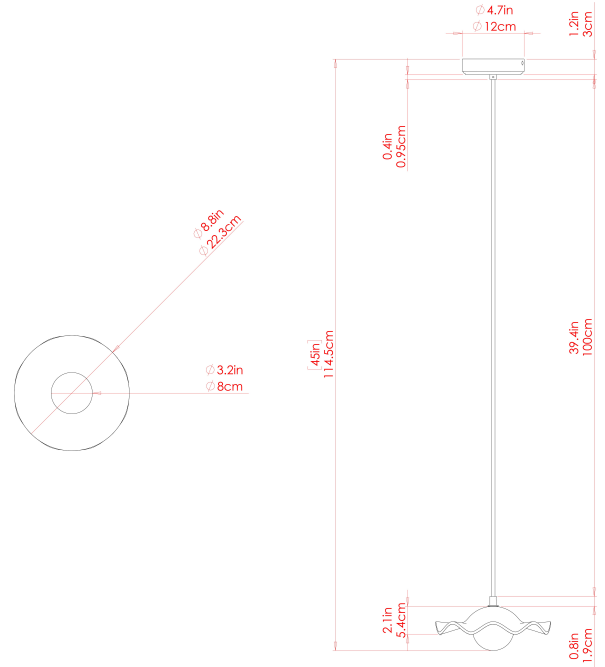
MATERIAL	Brass Ceramic Glass
HEIGHT	8.5cm
WIDTH DIAMETER	21cm
LENGTH PROJECTION	n/a
WEIGHT	0.6 kg
LAMPHOLDER	G9
MAX WATTAGE	6.5W
VOLTAGE	220/240v
IP RATING	IP20
CLASS PROTECTION	Class I
SHADE	MLCS111
FLEX BAR CHAIN LENGTH	100cm
CABLE TYPE	MLCA028 Black Fabric Braided Cable 2 Core Round

FIXING BRACKET: MLWB17 | Antique Silver



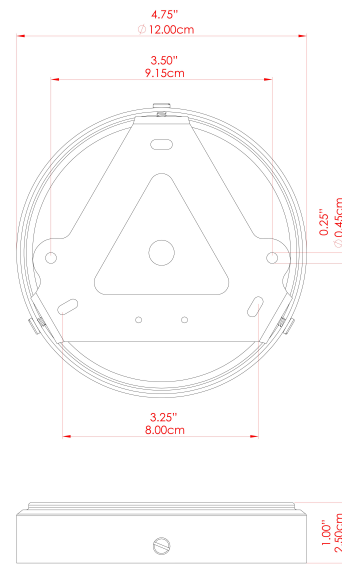
RIVALE Ceramic Pendant

MLCMP088PCMBKCL Matt Black



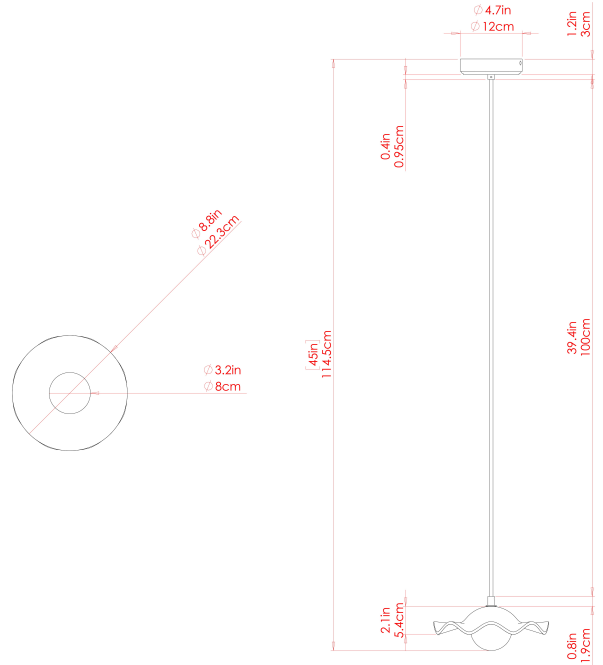
MATERIAL	Brass Ceramic Glass
HEIGHT	8.5cm
WIDTH DIAMETER	21cm
LENGTH PROJECTION	n/a
WEIGHT	0.6 kg
LAMPHOLDER	G9
MAX WATTAGE	6.5W
VOLTAGE	220/240v
IP RATING	IP20
CLASS PROTECTION	Class I
SHADE	MLCS111
FLEX BAR CHAIN LENGTH	100cm
CABLE TYPE	MLCA028 Black Fabric Braided Cable 2 Core Round

FIXING BRACKET: MLWB17 | Matt Black



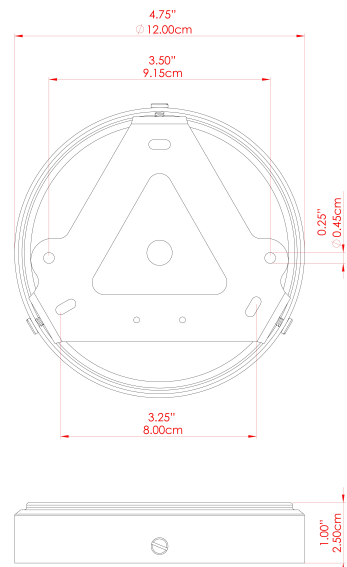
RIVALE Ceramic Pendant

MLCMP088PCMBKFR Matt Black



MATERIAL	Brass Ceramic Glass
HEIGHT	8.5cm
WIDTH DIAMETER	21cm
LENGTH PROJECTION	n/a
WEIGHT	0.6 kg
LAMPHOLDER	G9
MAX WATTAGE	6.5W
VOLTAGE	220/240v
IP RATING	IP20
CLASS PROTECTION	Class I
SHADE	MLCS111
FLEX BAR CHAIN LENGTH	100cm
CABLE TYPE	MLCA028 Black Fabric Braided Cable 2 Core Round

FIXING BRACKET: MLWB17 | Matt Black

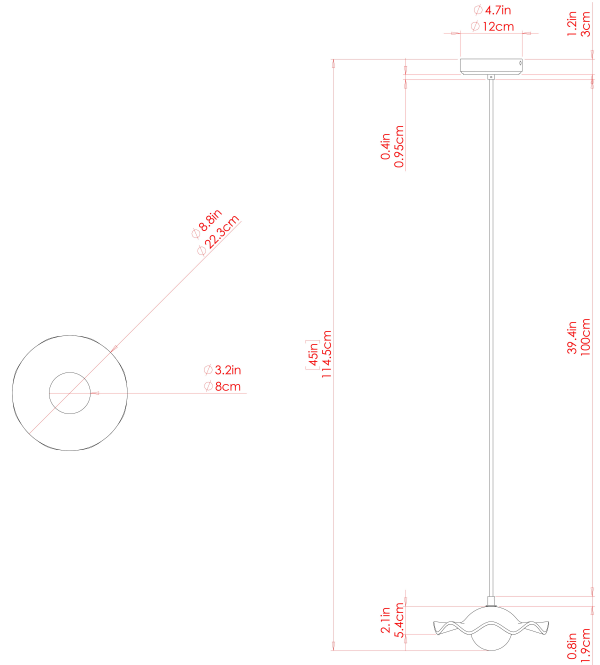


RIVALE Ceramic Pendant

MLCMP088PCMBKOP Matt Black

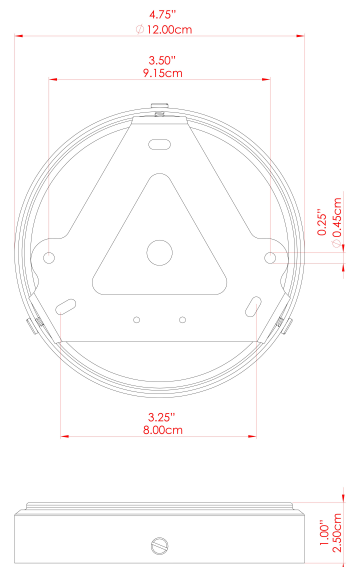


POWDER-COATED
MATTE BLACK



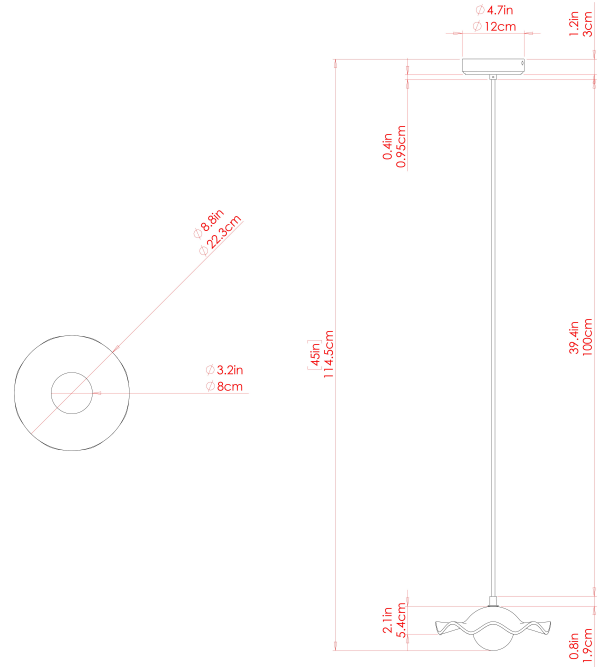
MATERIAL	Brass Ceramic Glass
HEIGHT	8.5cm
WIDTH DIAMETER	21cm
LENGTH PROJECTION	n/a
WEIGHT	0.6 kg
LAMPHOLDER	G9
MAX WATTAGE	6.5W
VOLTAGE	220/240v
IP RATING	IP20
CLASS PROTECTION	Class I
SHADE	MLCS111
FLEX BAR CHAIN LENGTH	100cm
CABLE TYPE	MLCA028 Black Fabric Braided Cable 2 Core Round

FIXING BRACKET: MLWB17 | Matt Black



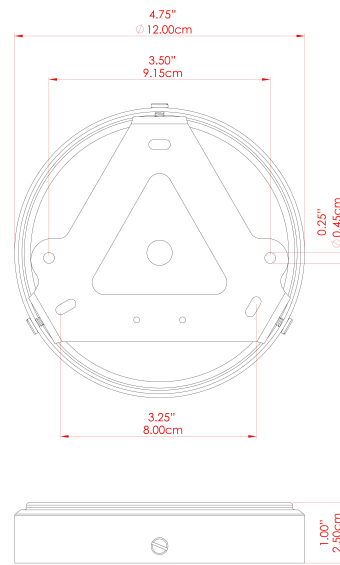
RIVALE Ceramic Pendant

MLCMP088POLBRSCS Polished Brass



MATERIAL	Brass Ceramic Glass
HEIGHT	8.5cm
WIDTH DIAMETER	21cm
LENGTH PROJECTION	n/a
WEIGHT	0.6 kg
LAMPHOLDER	G9
MAX WATTAGE	6.5W
VOLTAGE	220/240v
IP RATING	IP20
CLASS PROTECTION	Class I
SHADE	MLCS111
FLEX BAR CHAIN LENGTH	100cm
CABLE TYPE	MLCA028 Black Fabric Braided Cable 2 Core Round

FIXING BRACKET: MLWB17 | Polished Brass

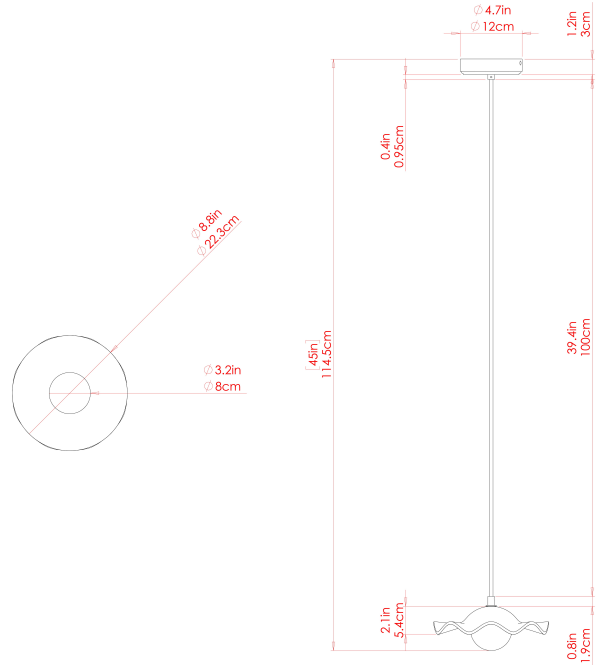


Product Notes:
 1) Bulbs not included. 2) Dimensions do not include bulbs. 3) All products are individually made-to-order and therefore may differ slightly within manufacturing tolerances. 4) Cable / chain can be shortened during installation. Longer cable / chain lengths available on request. 5) Additional colour finishes may be available on request. 6) Refer to our website for a full list of terms and conditions.



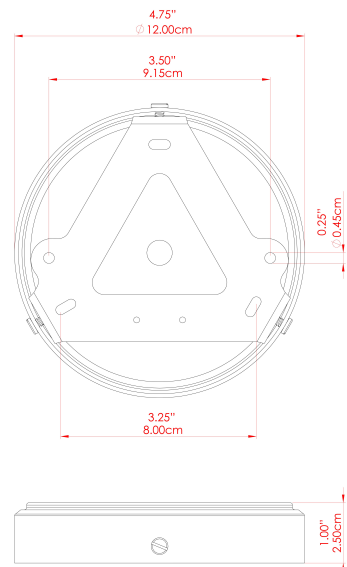
RIVALE Ceramic Pendant

MLCMP088POLBRSFR Polished Brass



MATERIAL	Brass Ceramic Glass
HEIGHT	8.5cm
WIDTH DIAMETER	21cm
LENGTH PROJECTION	n/a
WEIGHT	0.6 kg
LAMPHOLDER	G9
MAX WATTAGE	6.5W
VOLTAGE	220/240v
IP RATING	IP20
CLASS PROTECTION	Class I
SHADE	MLCS111
FLEX BAR CHAIN LENGTH	100cm
CABLE TYPE	MLCA028 Black Fabric Braided Cable 2 Core Round

FIXING BRACKET: MLWB17 | Polished Brass

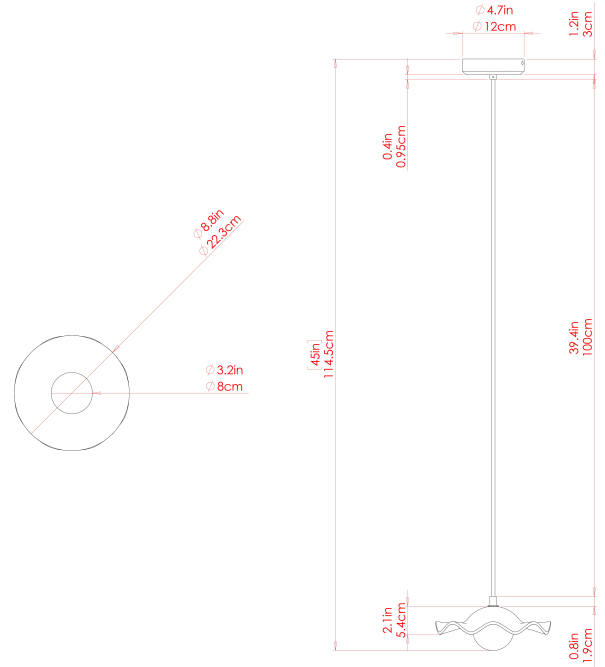


Product Notes:
 1) Bulbs not included. 2) Dimensions do not include bulbs. 3) All products are individually made-to-order and therefore may differ slightly within manufacturing tolerances. 4) Cable / chain can be shortened during installation. Longer cable / chain lengths available on request. 5) Additional colour finishes may be available on request. 6) Refer to our website for a full list of terms and conditions.



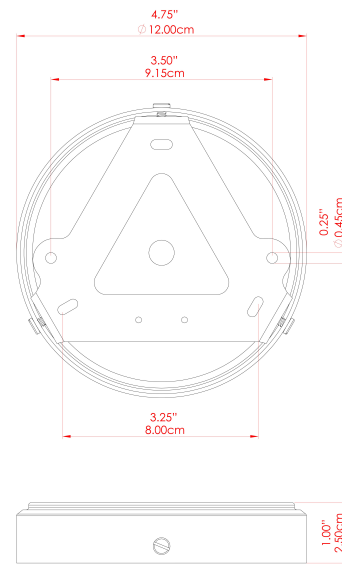
RIVALE Ceramic Pendant

MLCMP088POLBRSOP Polished Brass



MATERIAL	Brass Ceramic Glass
HEIGHT	8.5cm
WIDTH DIAMETER	21cm
LENGTH PROJECTION	n/a
WEIGHT	0.6 kg
LAMPHOLDER	G9
MAX WATTAGE	6.5W
VOLTAGE	220/240v
IP RATING	IP20
CLASS PROTECTION	Class I
SHADE	MLCS111
FLEX BAR CHAIN LENGTH	100cm
CABLE TYPE	MLCA028 Black Fabric Braided Cable 2 Core Round

FIXING BRACKET: MLWB17 | Polished Brass

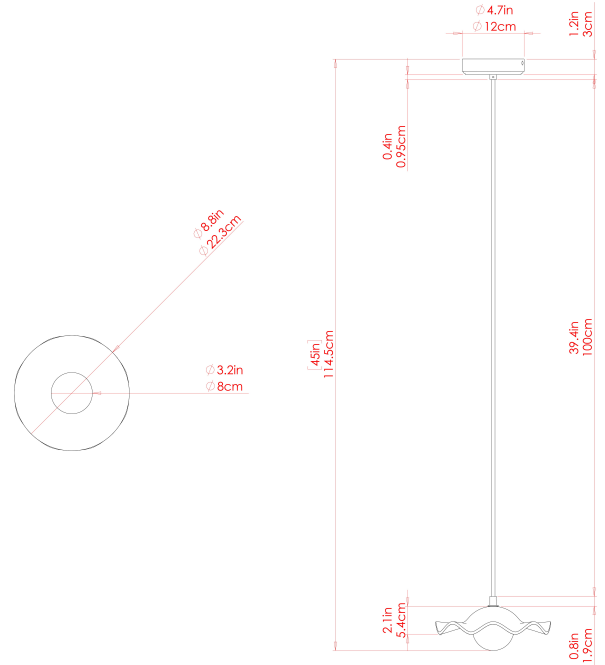


Product Notes:
 1) Bulbs not included. 2) Dimensions do not include bulbs. 3) All products are individually made-to-order and therefore may differ slightly within manufacturing tolerances. 4) Cable / chain can be shortened during installation. Longer cable / chain lengths available on request. 5) Additional colour finishes may be available on request. 6) Refer to our website for a full list of terms and conditions.



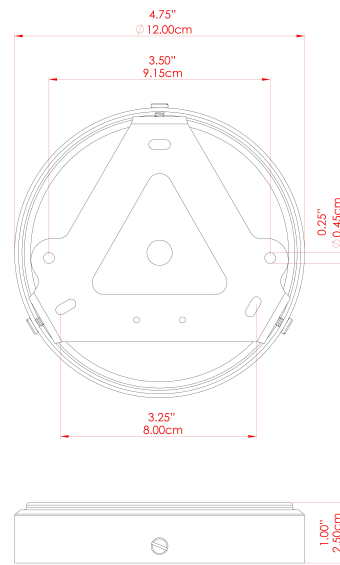
RIVALE Ceramic Pendant

MLCMP088SATBRSL Satin Brass



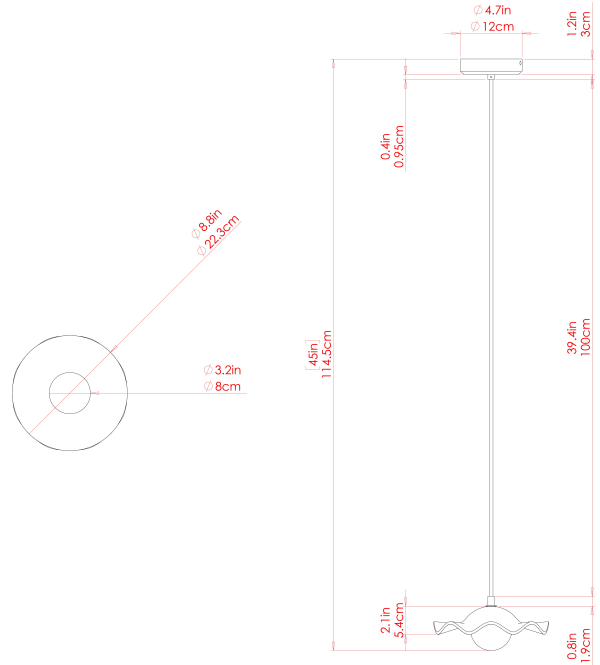
MATERIAL	Brass Ceramic Glass
HEIGHT	8.5cm
WIDTH DIAMETER	21cm
LENGTH PROJECTION	n/a
WEIGHT	0.6 kg
LAMPHOLDER	G9
MAX WATTAGE	6.5W
VOLTAGE	220/240v
IP RATING	IP20
CLASS PROTECTION	Class I
SHADE	MLCS111
FLEX BAR CHAIN LENGTH	100cm
CABLE TYPE	MLCA028 Black Fabric Braided Cable 2 Core Round

FIXING BRACKET: MLWB17 | Satin Brass



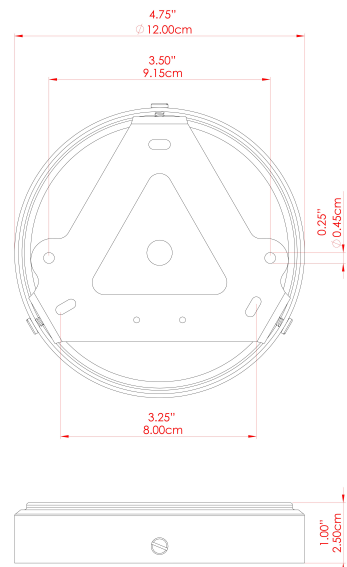
RIVALE Ceramic Pendant

MLCMP088SATBRSFR Satin Brass



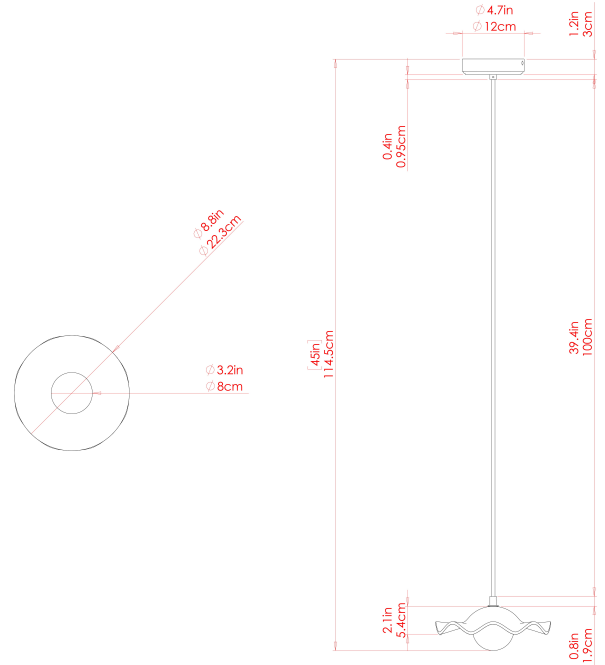
MATERIAL	Brass Ceramic Glass
HEIGHT	8.5cm
WIDTH DIAMETER	21cm
LENGTH PROJECTION	n/a
WEIGHT	0.6 kg
LAMPHOLDER	G9
MAX WATTAGE	6.5W
VOLTAGE	220/240v
IP RATING	IP20
CLASS PROTECTION	Class I
SHADE	MLCS111
FLEX BAR CHAIN LENGTH	100cm
CABLE TYPE	MLCA028 Black Fabric Braided Cable 2 Core Round

FIXING BRACKET: MLWB17 | Satin Brass



RIVALE Ceramic Pendant

MLCMP088SATBRSOP Satin Brass



MATERIAL	Brass Ceramic Glass
HEIGHT	8.5cm
WIDTH DIAMETER	21cm
LENGTH PROJECTION	n/a
WEIGHT	0.6 kg
LAMPHOLDER	G9
MAX WATTAGE	6.5W
VOLTAGE	220/240v
IP RATING	IP20
CLASS PROTECTION	Class I
SHADE	MLCS111
FLEX BAR CHAIN LENGTH	100cm
CABLE TYPE	MLCA028 Black Fabric Braided Cable 2 Core Round

FIXING BRACKET: MLWB17 | Satin Brass

