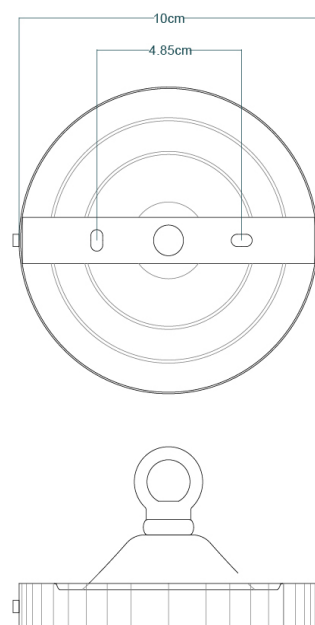


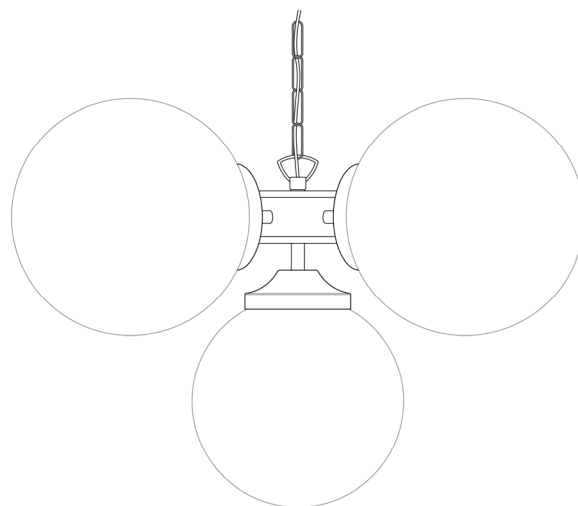
MATERIAL	Brass Glass
HEIGHT	28cm 11.02"
WIDTH DIAMETER	40cm 15.75"
LENGTH PROJECTION	n/a
WEIGHT	2.15KG 4.74lbs
LAMPHOLDER	G9 x 5
MAX WATTAGE	6.5W x 5
VOLTAGE	220/240v
IP RATING	20
CLASS PROTECTION	I
SHADE	GL044F x 5
FLEX BAR CHAIN LENGT	100cm 40"
CABLE TYPE	MLCA036 3 Core Round Brown PVC

Fixing Bracket MLROSE05HOOK | Antique Brass



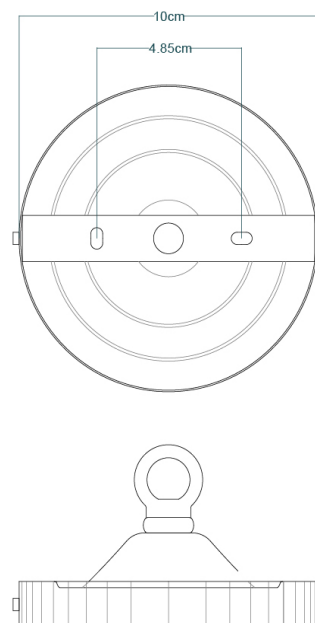
Product Notes:

1) Lamps not included with light fixture. 2) All products are individually hand crafted, therefore may differ slightly within manufacturing tolerances. 3) Please refer to: <http://www.mullanlighting.com/terms> for full list of Terms & Conditions. 4) Cable/Chain can be shortened during installation. 5) Longer Cable/Chain available on request. 6) Additional colour finishes available on request. 7.) Dimensions do not include lamps. 8.) Products wired to UL standards will operate at 110/120v with the appropriate lampholders.



MATERIAL	Brass Glass
HEIGHT	28cm 11.02"
WIDTH DIAMETER	40cm 15.75"
LENGTH PROJECTION	n/a
WEIGHT	2.15KG 4.74lbs
LAMPHOLDER	G9 x 5
MAX WATTAGE	6.5W x 5
VOLTAGE	220/240v
IP RATING	20
CLASS PROTECTION	I
SHADE	GL044F x 5
FLEX BAR CHAIN LENGT	100cm 40"
CABLE TYPE	MLCA013 3 Core Round Clear PVC

Fixing Bracket MLROSE05HOOK | Antique Silver

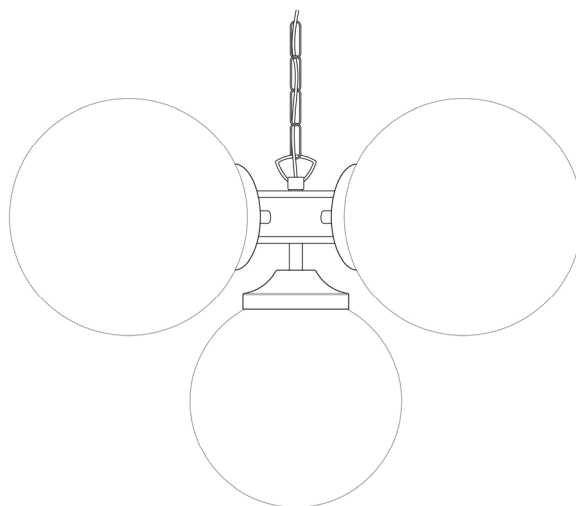


Product Notes:

1) Lamps not included with light fixture. 2) All products are individually hand crafted, therefore may differ slightly within manufacturing tolerances. 3) Please refer to: <http://www.mullanlighting.com/terms> for full list of Terms & Conditions. 4) Cable/Chain can be shortened during installation. 5) Longer Cable/Chain available on request. 6) Additional colour finishes available on request. 7.) Dimensions do not include lamps. 8.) Products wired to UL standards will operate at 110/120v with the appropriate lampholders.

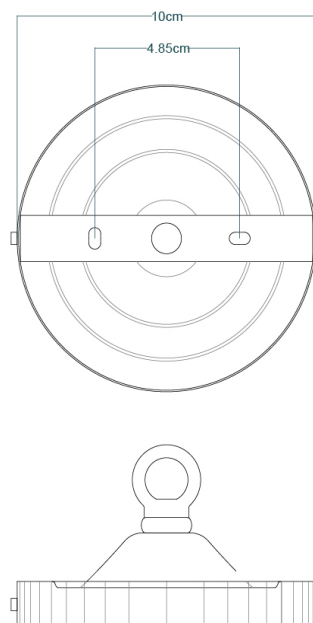
YAOUNDE Chandelier

MLF203POLBRS Polished Brass



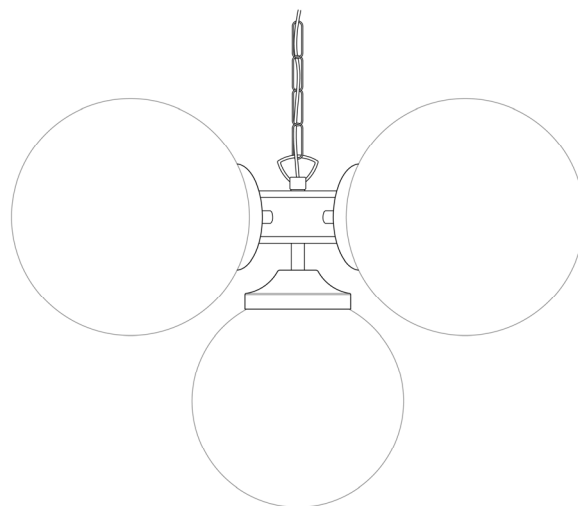
MATERIAL	Brass Glass
HEIGHT	28cm 11.02"
WIDTH DIAMETER	40cm 15.75"
LENGTH PROJECTION	n/a
WEIGHT	2.15KG 4.74lbs
LAMPHOLDER	G9 x 5
MAX WATTAGE	6.5W x 5
VOLTAGE	220/240v
IP RATING	20
CLASS PROTECTION	I
SHADE	GL044F x 5
FLEX BAR CHAIN LENGT	100cm 40"
CABLE TYPE	MLCA012 3 Core Round Gold PVC

Fixing Bracket MLROSE05HOOK | Polished Brass



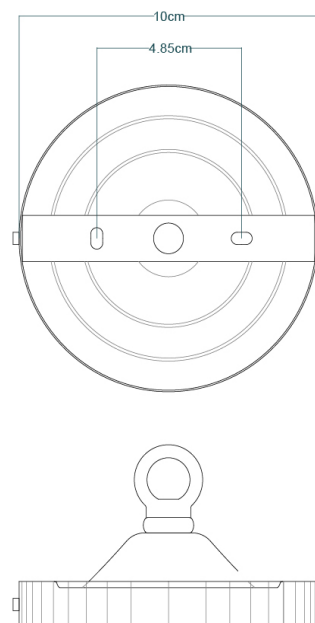
Product Notes:

1) Lamps not included with light fixture. 2) All products are individually hand crafted, therefore may differ slightly within manufacturing tolerances. 3) Please refer to: <http://www.mullanlighting.com/terms> for full list of Terms & Conditions. 4) Cable/Chain can be shortened during installation. 5) Longer Cable/Chain available on request. 6) Additional colour finishes available on request. 7.) Dimensions do not include lamps. 8.) Products wired to UL standards will operate at 110/120v with the appropriate lampholders.



MATERIAL	Brass Glass
HEIGHT	28cm 11.02"
WIDTH DIAMETER	40cm 15.75"
LENGTH PROJECTION	n/a
WEIGHT	2.15KG 4.74lbs
LAMPHOLDER	G9 x 5
MAX WATTAGE	6.5W x 5
VOLTAGE	220/240v
IP RATING	20
CLASS PROTECTION	I
SHADE	GL044F x 5
FLEX BAR CHAIN LENGT	100cm 40"
CABLE TYPE	MLCA012 3 Core Round Gold PVC

Fixing Bracket MLROSE05HOOK | Satin Brass



Product Notes:

1) Lamps not included with light fixture. 2) All products are individually hand crafted, therefore may differ slightly within manufacturing tolerances. 3) Please refer to: <http://www.mullanlighting.com/terms> for full list of Terms & Conditions. 4) Cable/Chain can be shortened during installation. 5) Longer Cable/Chain available on request. 6) Additional colour finishes available on request. 7.) Dimensions do not include lamps. 8.) Products wired to UL standards will operate at 110/120v with the appropriate lampholders.