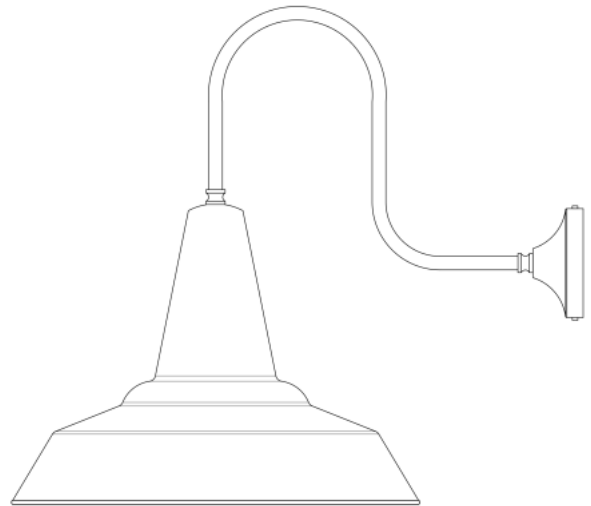


# HEX Wall Light

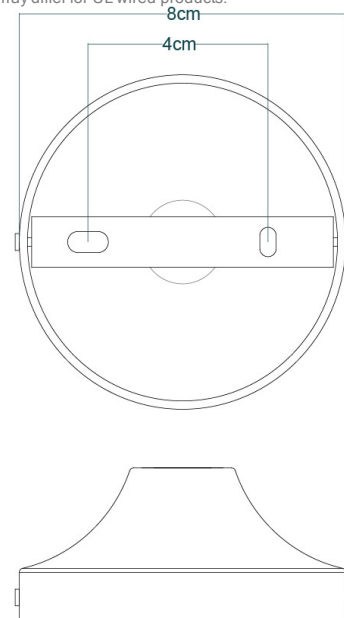
MLWL166PCBLK Black



MATERIAL	Brass   Aluminium
HEIGHT	33cm   12.99"
WIDTH   DIAMETER	30.5cm   12.01"
LENGTH   PROJECTION	42.5cm   16.73"
WEIGHT	0.74KG   1.63lbs
LAMP HOLDER	E27 or E26 *
MAX WATTAGE	40W x 1
VOLTAGE	220/240v or 110/120v *
IP RATING	20
CLASS PROTECTION	I
SHADE CODE	-
CABLE   CHAIN   BAR LENGT	n/a
CABLE TYPE	-

### Fixing Bracket MLWB03 | Back

\* Fixing bracket may differ for UL wired products.

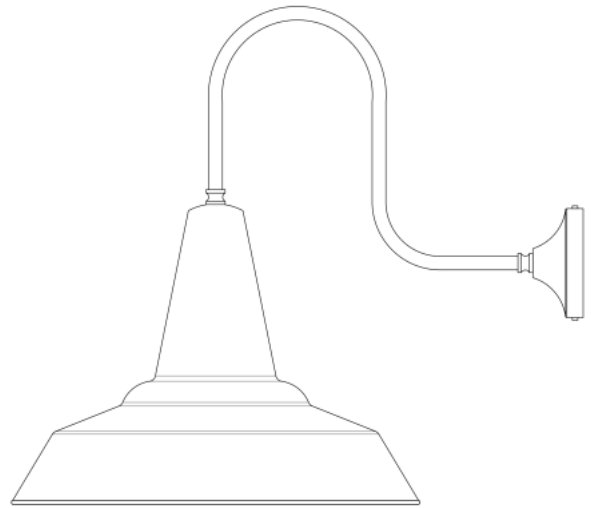


#### Product Notes:

1) Bulbs not included. 2) Dimensions do not include bulbs. 3) All products are individually made-to-order and therefore may differ slightly within manufacturing tolerances. 4) Cable / chain can be shortened during installation. Longer cable / chain lengths available on request. 5) Additional colour finishes may be available on request. 6) UL wired products operate at 110/120v with the appropriate lamp holder. 7) Twisted cable is not available for UL wired products. Round cable in black or brown only is supplied instead. 8) Refer to our website for a full list of terms and conditions.

# HEX Wall Light

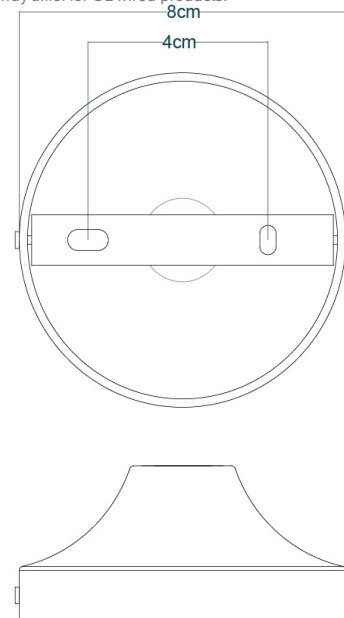
MLWL166PCBRZ Bronze



MATERIAL	Brass   Aluminium
HEIGHT	33cm   12.99"
WIDTH   DIAMETER	30.5cm   12.01"
LENGTH   PROJECTION	42.5cm   16.73"
WEIGHT	0.74KG   1.63lbs
LAMP HOLDER	E27 or E26 *
MAX WATTAGE	40W x 1
VOLTAGE	220/240v or 110/120v *
IP RATING	20
CLASS PROTECTION	I
SHADE CODE	-
CABLE   CHAIN   BAR LENGT	n/a
CABLE TYPE	-

### Fixing Bracket MLWB03 | Bronze

\* Fixing bracket may differ for UL wired products.

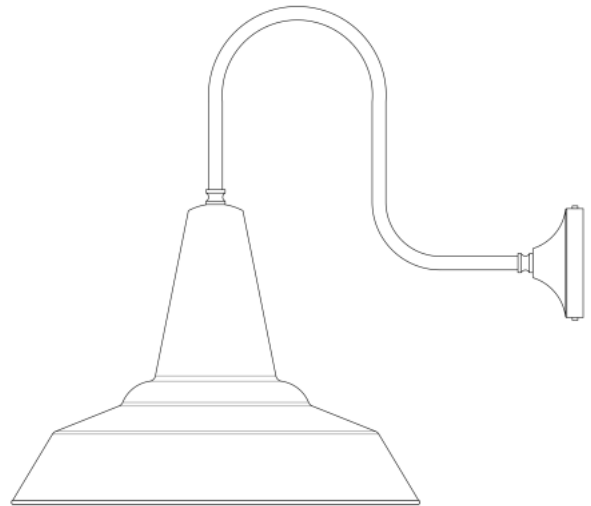


#### Product Notes:

1) Bulbs not included. 2) Dimensions do not include bulbs. 3) All products are individually made-to-order and therefore may differ slightly within manufacturing tolerances. 4) Cable / chain can be shortened during installation. Longer cable / chain lengths available on request. 5) Additional colour finishes may be available on request. 6) UL wired products operate at 110/120v with the appropriate lamp holder. 7) Twisted cable is not available for UL wired products. Round cable in black or brown only is supplied instead. 8) Refer to our website for a full list of terms and conditions.

# HEX Wall Light

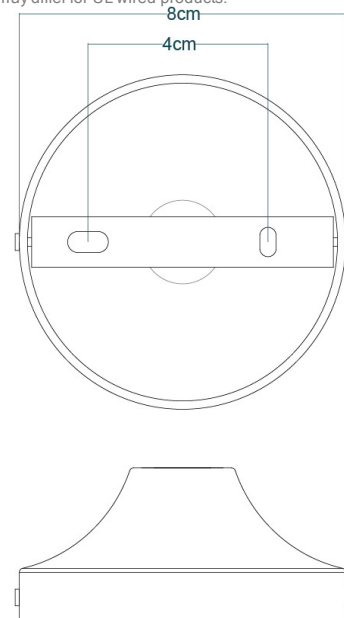
MLWL166PCGRN Sage Green



MATERIAL	Brass   Aluminium
HEIGHT	33cm   12.99"
WIDTH   DIAMETER	30.5cm   12.01"
LENGTH   PROJECTION	42.5cm   16.73"
WEIGHT	0.74KG   1.63lbs
LAMP HOLDER	E27 or E26 *
MAX WATTAGE	40W x 1
VOLTAGE	220/240v or 110/120v *
IP RATING	20
CLASS PROTECTION	I
SHADE CODE	-
CABLE   CHAIN   BAR LENGT	n/a
CABLE TYPE	-

### Fixing Bracket MLWB03 | Sage Green

\* Fixing bracket may differ for UL wired products.

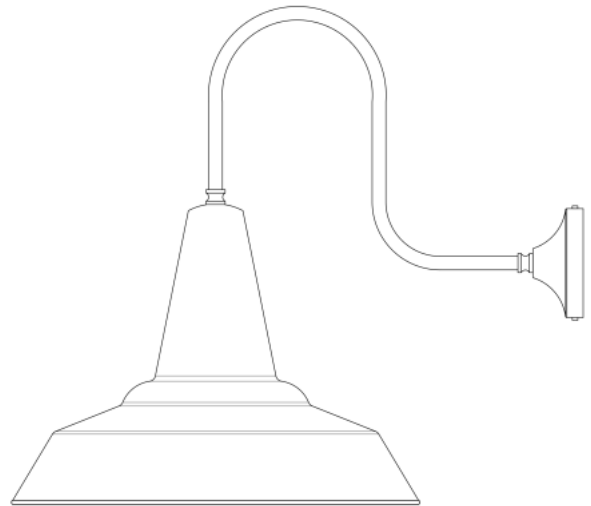


#### Product Notes:

1) Bulbs not included. 2) Dimensions do not include bulbs. 3) All products are individually made-to-order and therefore may differ slightly within manufacturing tolerances. 4) Cable / chain can be shortened during installation. Longer cable / chain lengths available on request. 5) Additional colour finishes may be available on request. 6) UL wired products operate at 110/120v with the appropriate lamp holder. 7) Twisted cable is not available for UL wired products. Round cable in black or brown only is supplied instead. 8) Refer to our website for a full list of terms and conditions.

# HEX Wall Light

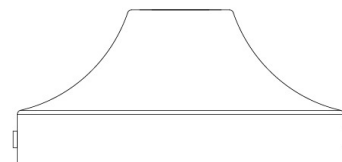
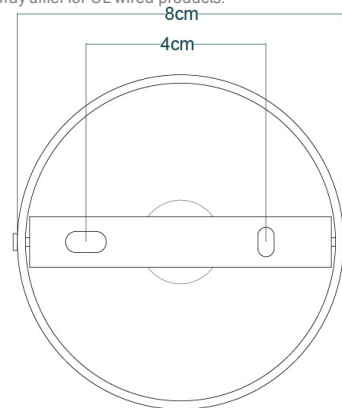
MLWL166PCGRY Grey



MATERIAL	Brass   Aluminium
HEIGHT	33cm   12.99"
WIDTH   DIAMETER	30.5cm   12.01"
LENGTH   PROJECTION	42.5cm   16.73"
WEIGHT	0.74KG   1.63lbs
LAMP HOLDER	E27 or E26 *
MAX WATTAGE	40W x 1
VOLTAGE	220/240v or 110/120v *
IP RATING	20
CLASS PROTECTION	I
SHADE CODE	-
CABLE   CHAIN   BAR LENGT	n/a
CABLE TYPE	-

### Fixing Bracket MLWB03 | Grey

\* Fixing bracket may differ for UL wired products.

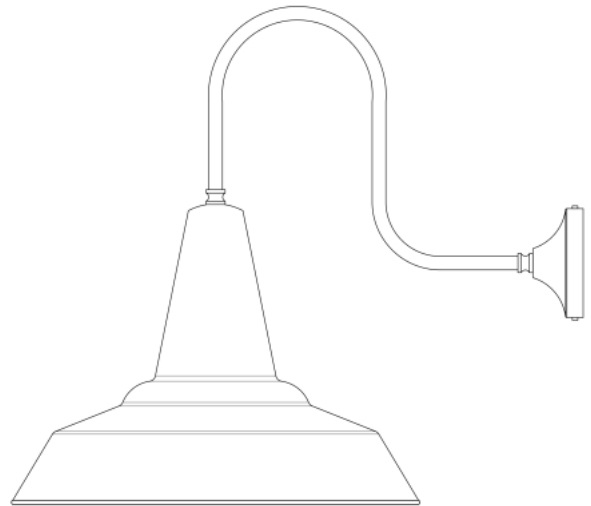


#### Product Notes:

1) Bulbs not included. 2) Dimensions do not include bulbs. 3) All products are individually made-to-order and therefore may differ slightly within manufacturing tolerances. 4) Cable / chain can be shortened during installation. Longer cable / chain lengths available on request. 5) Additional colour finishes may be available on request. 6) UL wired products operate at 110/120v with the appropriate lamp holder. 7) Twisted cable is not available for UL wired products. Round cable in black or brown only is supplied instead. 8) Refer to our website for a full list of terms and conditions.

# HEX Wall Light

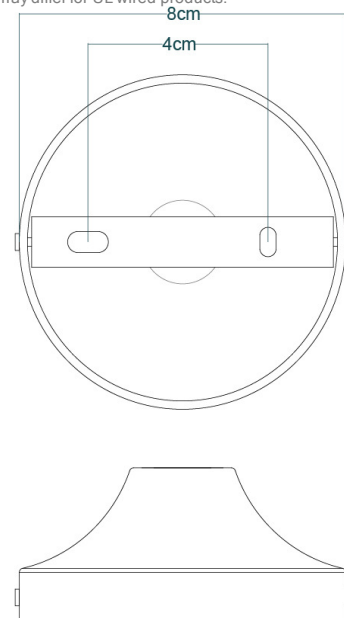
MLWL166PCMBK Matt Black



MATERIAL	Brass   Aluminium
HEIGHT	33cm   12.99"
WIDTH   DIAMETER	30.5cm   12.01"
LENGTH   PROJECTION	42.5cm   16.73"
WEIGHT	0.74KG   1.63lbs
LAMP HOLDER	E27 or E26 *
MAX WATTAGE	40W x 1
VOLTAGE	220/240v or 110/120v *
IP RATING	20
CLASS PROTECTION	I
SHADE CODE	-
CABLE   CHAIN   BAR LENGT	n/a
CABLE TYPE	-

### Fixing Bracket MLWB03 | Matt Black

\* Fixing bracket may differ for UL wired products.

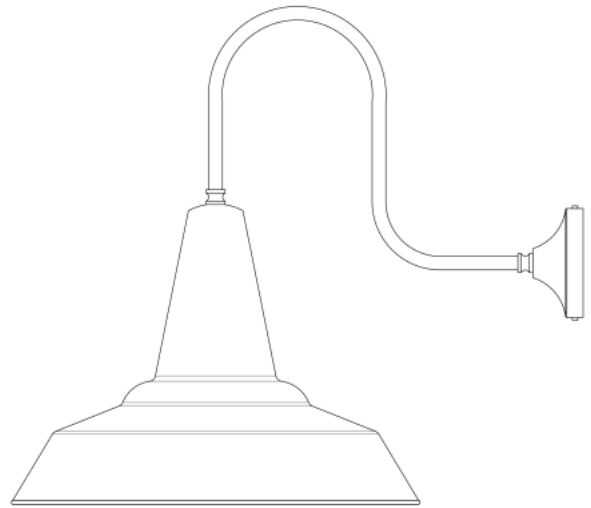


#### Product Notes:

1) Bulbs not included. 2) Dimensions do not include bulbs. 3) All products are individually made-to-order and therefore may differ slightly within manufacturing tolerances. 4) Cable / chain can be shortened during installation. Longer cable / chain lengths available on request. 5) Additional colour finishes may be available on request. 6) UL wired products operate at 110/120v with the appropriate lamp holder. 7) Twisted cable is not available for UL wired products. Round cable in black or brown only is supplied instead. 8) Refer to our website for a full list of terms and conditions.

## HEX Wall Light

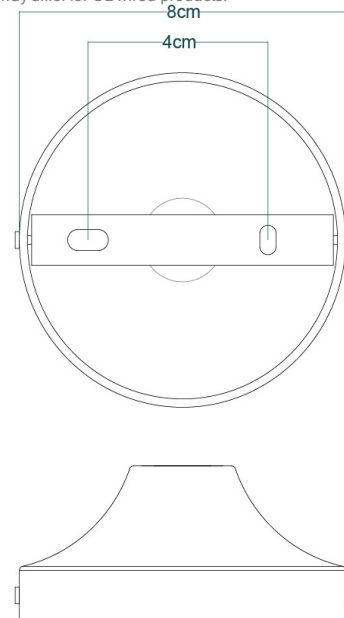
MLWL166PCORG Orange



MATERIAL	Brass   Aluminium
HEIGHT	33cm   12.99"
WIDTH   DIAMETER	30.5cm   12.01"
LENGTH   PROJECTION	42.5cm   16.73"
WEIGHT	0.74KG   1.63lbs
LAMP HOLDER	E27 or E26 *
MAX WATTAGE	40W x 1
VOLTAGE	220/240v or 110/120v *
IP RATING	20
CLASS PROTECTION	I
SHADE CODE	-
CABLE   CHAIN   BAR LENGT	n/a
CABLE TYPE	-

### Fixing Bracket MLWB03 | Orange

\* Fixing bracket may differ for UL wired products.

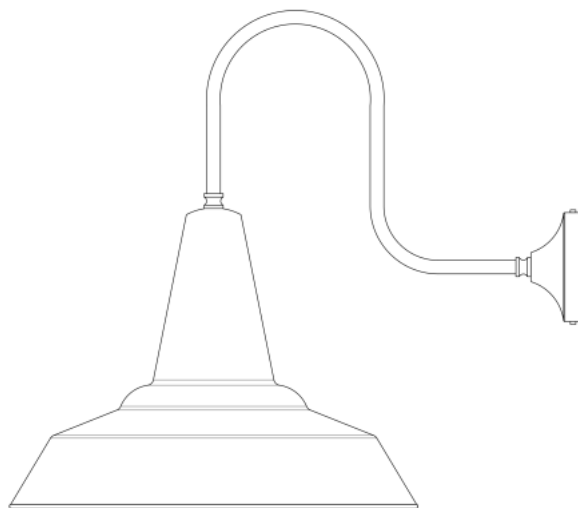


#### Product Notes:

1) Bulbs not included. 2) Dimensions do not include bulbs. 3) All products are individually made-to-order and therefore may differ slightly within manufacturing tolerances. 4) Cable / chain can be shortened during installation. Longer cable / chain lengths available on request. 5) Additional colour finishes may be available on request. 6) UL wired products operate at 110/120v with the appropriate lamp holder. 7) Twisted cable is not available for UL wired products. Round cable in black or brown only is supplied instead. 8) Refer to our website for a full list of terms and conditions.

## HEX Wall Light

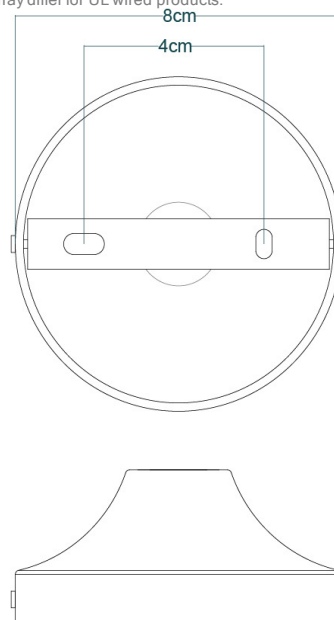
MLWL166PCRED Red



MATERIAL	Brass   Aluminium
HEIGHT	33cm   12.99"
WIDTH   DIAMETER	30.5cm   12.01"
LENGTH   PROJECTION	42.5cm   16.73"
WEIGHT	0.74KG   1.63lbs
LAMP HOLDER	E27 or E26 *
MAX WATTAGE	40W x 1
VOLTAGE	220/240v or 110/120v *
IP RATING	20
CLASS PROTECTION	I
SHADE CODE	-
CABLE   CHAIN   BAR LENGT	n/a
CABLE TYPE	-

### Fixing Bracket MLWB03 | Red

\* Fixing bracket may differ for UL wired products.

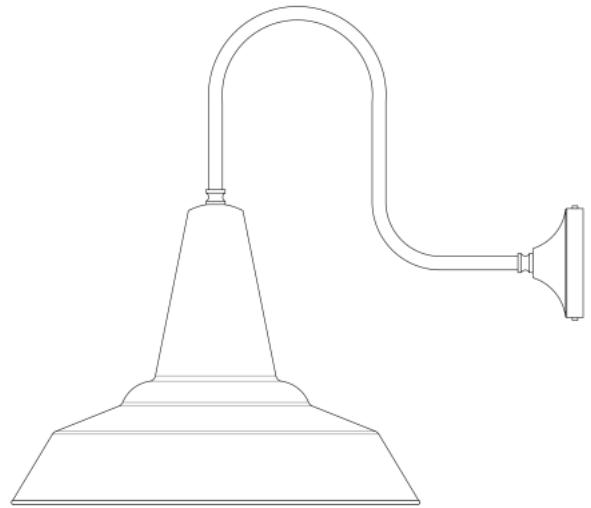


#### Product Notes:

1) Bulbs not included. 2) Dimensions do not include bulbs. 3) All products are individually made-to-order and therefore may differ slightly within manufacturing tolerances. 4) Cable / chain can be shortened during installation. Longer cable / chain lengths available on request. 5) Additional colour finishes may be available on request. 6) UL wired products operate at 110/120v with the appropriate lamp holder. 7) Twisted cable is not available for UL wired products. Round cable in black or brown only is supplied instead. 8) Refer to our website for a full list of terms and conditions.

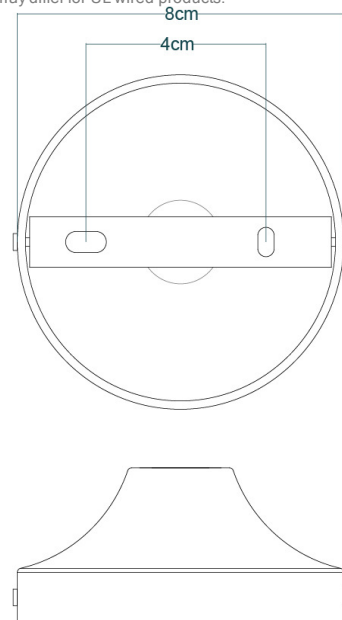
# HEX Wall Light

MLWL166PCRGR Racing Green



MATERIAL	Brass   Aluminium
HEIGHT	33cm   12.99"
WIDTH   DIAMETER	30.5cm   12.01"
LENGTH   PROJECTION	42.5cm   16.73"
WEIGHT	0.74KG   1.63lbs
LAMP HOLDER	E27 or E26 *
MAX WATTAGE	40W x 1
VOLTAGE	220/240v or 110/120v *
IP RATING	20
CLASS PROTECTION	I
SHADE CODE	-
CABLE   CHAIN   BAR LENGT	n/a
CABLE TYPE	-

Fixing Bracket MLWB03 | Racing Green  
 \* Fixing bracket may differ for UL wired products.



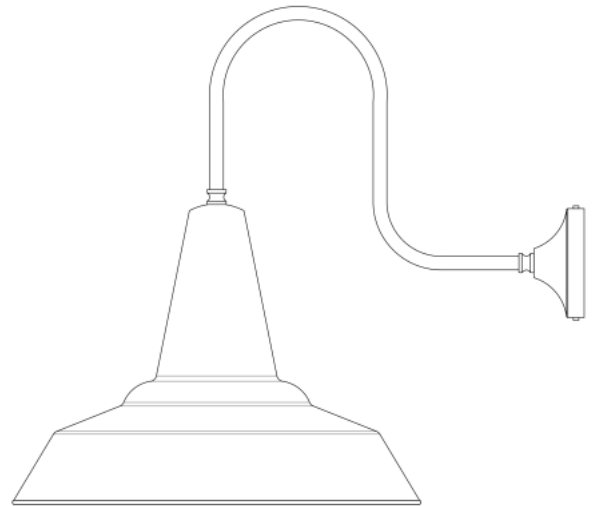
Product Notes:

1) Bulbs not included. 2) Dimensions do not include bulbs. 3) All products are individually made-to-order and therefore may differ slightly within manufacturing tolerances. 4) Cable / chain can be shortened during installation. Longer cable / chain lengths available on request. 5) Additional colour finishes may be available on request. 6) UL wired products operate at 110/120v with the appropriate lamp holder. 7) Twisted cable is not available for UL wired products. Round cable in black or brown only is supplied instead. 8) Refer to our website for a full list of terms and conditions.



# HEX Wall Light

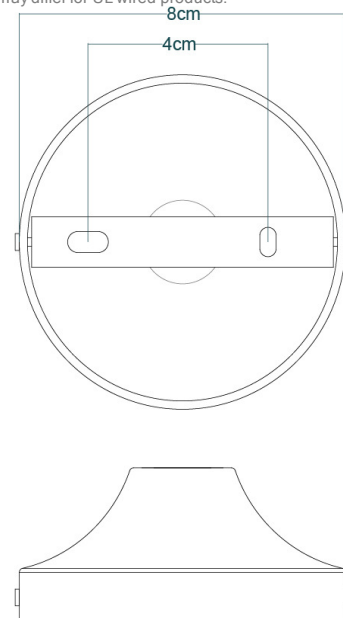
MLWL166PCWTE White



MATERIAL	Brass   Aluminium
HEIGHT	33cm   12.99"
WIDTH   DIAMETER	30.5cm   12.01"
LENGTH   PROJECTION	42.5cm   16.73"
WEIGHT	0.74KG   1.63lbs
LAMP HOLDER	E27 or E26 *
MAX WATTAGE	40W x 1
VOLTAGE	220/240v or 110/120v *
IP RATING	20
CLASS PROTECTION	I
SHADE CODE	-
CABLE   CHAIN   BAR LENGT	n/a
CABLE TYPE	-

### Fixing Bracket MLWB03 | White

\* Fixing bracket may differ for UL wired products.

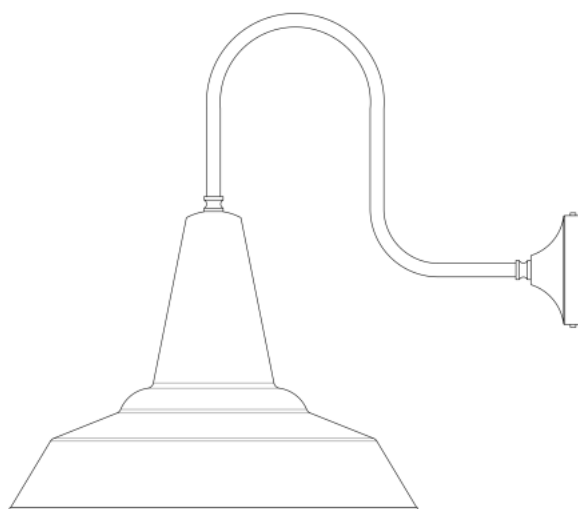


#### Product Notes:

1) Bulbs not included. 2) Dimensions do not include bulbs. 3) All products are individually made-to-order and therefore may differ slightly within manufacturing tolerances. 4) Cable / chain can be shortened during installation. Longer cable / chain lengths available on request. 5) Additional colour finishes may be available on request. 6) UL wired products operate at 110/120v with the appropriate lamp holder. 7) Twisted cable is not available for UL wired products. Round cable in black or brown only is supplied instead. 8) Refer to our website for a full list of terms and conditions.

# HEX Wall Light

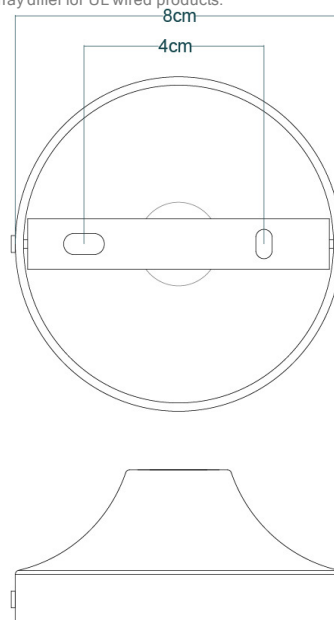
MLWL166PCYLW Yellow



MATERIAL	Brass   Aluminium
HEIGHT	33cm   12.99"
WIDTH   DIAMETER	30.5cm   12.01"
LENGTH   PROJECTION	42.5cm   16.73"
WEIGHT	0.74KG   1.63lbs
LAMP HOLDER	E27 or E26 *
MAX WATTAGE	40W x 1
VOLTAGE	220/240v or 110/120v *
IP RATING	20
CLASS PROTECTION	I
SHADE CODE	-
CABLE   CHAIN   BAR LENGT	n/a
CABLE TYPE	-

### Fixing Bracket MLWB03 | Yellow

\* Fixing bracket may differ for UL wired products.



#### Product Notes:

1) Bulbs not included. 2) Dimensions do not include bulbs. 3) All products are individually made-to-order and therefore may differ slightly within manufacturing tolerances. 4) Cable / chain can be shortened during installation. Longer cable / chain lengths available on request. 5) Additional colour finishes may be available on request. 6) UL wired products operate at 110/120v with the appropriate lamp holder. 7) Twisted cable is not available for UL wired products. Round cable in black or brown only is supplied instead. 8) Refer to our website for a full list of terms and conditions.