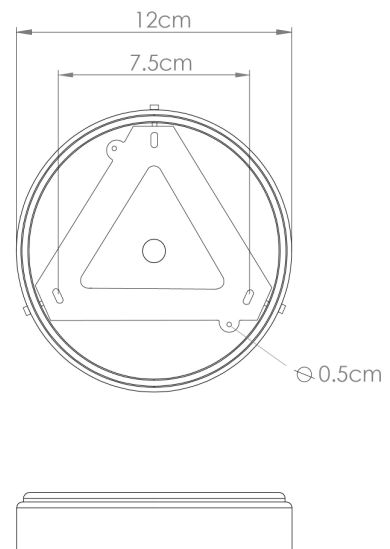


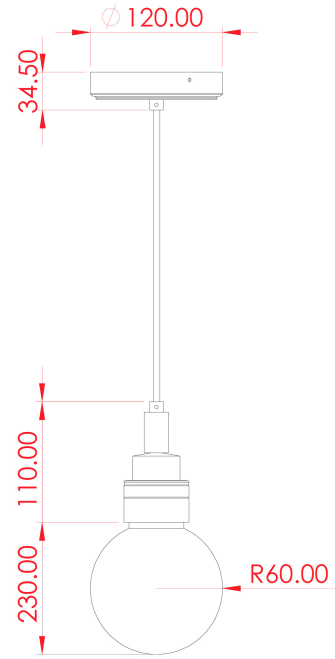
MATERIAL	Brass   Glass
HEIGHT	23cm   9.06"
WIDTH   DIAMETER	13.5cm   5.31"
LENGTH   PROJECTION	n/a
WEIGHT	0.7KG   1.54lbs
LAMPHOLDER	E27 x 1
MAX WATTAGE	6.5W x 1
VOLTAGE	220/240v
IP RATING	65
CLASS PROTECTION	II
SHADE	GL186
FLEX   BAR   CHAIN LENGT	100cm   40"
CABLE TYPE	MLOCA001   2 Core Round   Brown Braid   Rubber

Fixing Bracket MLROSE39 | Antique Brass



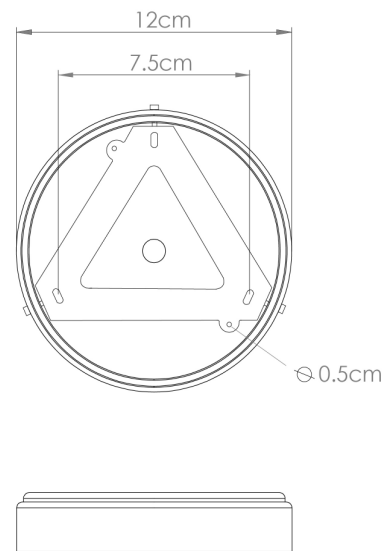
Product Notes:

1) Lamps not included with light fixture. 2) All products are individually hand crafted, therefore may differ slightly within manufacturing tolerances. 3) Please refer to: <http://www.mullanlighting.com/terms> for full list of Terms & Conditions. 4) Cable/Chain can be shortened during installation. 5) Longer Cable/Chain available on request. 6) Additional colour finishes available on request. 7.) Dimensions do not include lamps. 8.) Products wired to UL standards will operate at 110/120v with the appropriate lampholders.



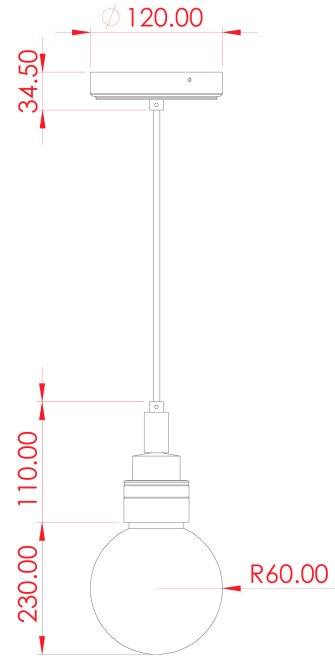
MATERIAL	Brass  Glass
HEIGHT	23cm   9.06"
WIDTH   DIAMETER	13.5cm   5.31"
LENGTH   PROJECTION	n/a
WEIGHT	0.7KG   1.54lbs
LAMPHOLDER	E27 x 1
MAX WATTAGE	6.5W x 1
VOLTAGE	220/240v
IP RATING	65
CLASS PROTECTION	II
SHADE	GL187
FLEX   BAR   CHAIN LENGT	100cm   40"
CABLE TYPE	MLOCA001   2 Core Round   Brown Braid   Rubber

Fixing Bracket MLROSE39 | Antique Brass



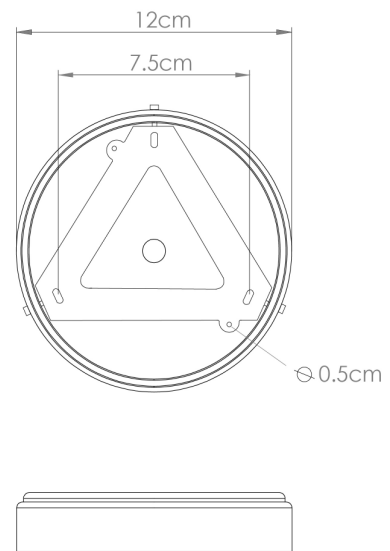
Product Notes:

1) Lamps not included with light fixture. 2) All products are individually hand crafted, therefore may differ slightly within manufacturing tolerances. 3) Please refer to: <http://www.mullanlighting.com/terms> for full list of Terms & Conditions. 4) Cable/Chain can be shortened during installation. 5) Longer Cable/Chain available on request. 6) Additional colour finishes available on request. 7.) Dimensions do not include lamps. 8.) Products wired to UL standards will operate at 110/120v with the appropriate lampholders.



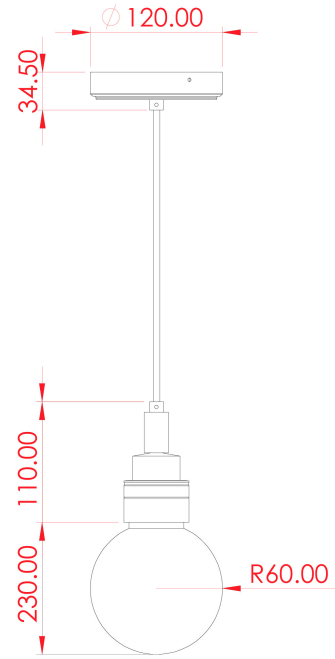
MATERIAL	Brass  Glass
HEIGHT	23cm   9.06"
WIDTH   DIAMETER	13.5cm   5.31"
LENGTH   PROJECTION	n/a
WEIGHT	0.7KG   1.54lbs
LAMPHOLDER	E27 x 1
MAX WATTAGE	6.5W x 1
VOLTAGE	220/240v
IP RATING	65
CLASS PROTECTION	II
SHADE	GL188
FLEX   BAR   CHAIN LENGT	100cm   40"
CABLE TYPE	MLOCA001   2 Core Round   Brown Braid   Rubber

Fixing Bracket MLROSE39 | Antique Brass



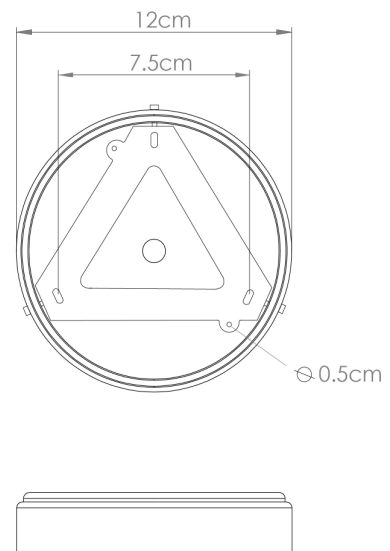
Product Notes:

1) Lamps not included with light fixture. 2) All products are individually hand crafted, therefore may differ slightly within manufacturing tolerances. 3) Please refer to: <http://www.mullanlighting.com/terms> for full list of Terms & Conditions. 4) Cable/Chain can be shortened during installation. 5) Longer Cable/Chain available on request. 6) Additional colour finishes available on request. 7.) Dimensions do not include lamps. 8.) Products wired to UL standards will operate at 110/120v with the appropriate lampholders.



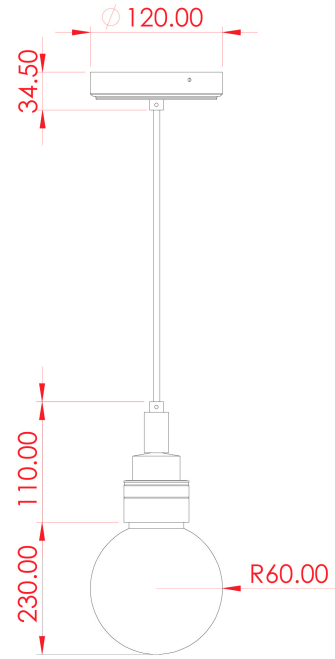
MATERIAL	Brass  Glass
HEIGHT	23cm   9.06"
WIDTH   DIAMETER	13.5cm   5.31"
LENGTH   PROJECTION	n/a
WEIGHT	0.7KG   1.54lbs
LAMPHOLDER	E27 x 1
MAX WATTAGE	6.5W x 1
VOLTAGE	220/240v
IP RATING	65
CLASS PROTECTION	II
SHADE	GL186
FLEX   BAR   CHAIN LENGT	100cm   40"
CABLE TYPE	MLOCA002   2 Core Round   Black Braid   Rubber

Fixing Bracket MLROSE39 | Antique Silver



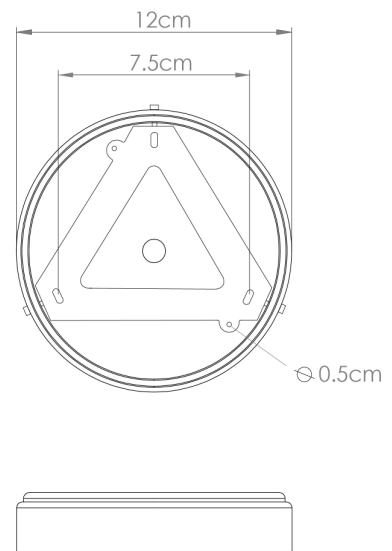
Product Notes:

1) Lamps not included with light fixture. 2) All products are individually hand crafted, therefore may differ slightly within manufacturing tolerances. 3) Please refer to: <http://www.mullanlighting.com/terms> for full list of Terms & Conditions. 4) Cable/Chain can be shortened during installation. 5) Longer Cable/Chain available on request. 6) Additional colour finishes available on request. 7.) Dimensions do not include lamps. 8.) Products wired to UL standards will operate at 110/120v with the appropriate lampholders.



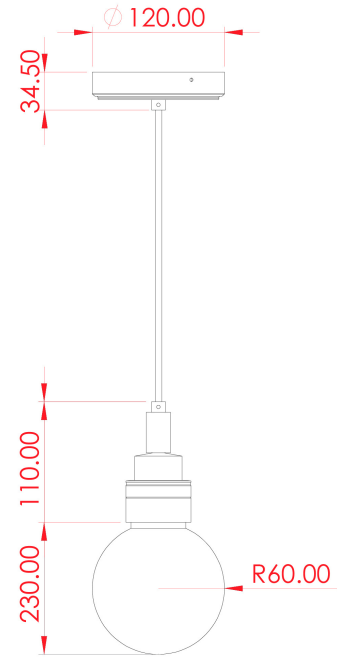
MATERIAL	Brass  Glass
HEIGHT	23cm   9.06"
WIDTH   DIAMETER	13.5cm   5.31"
LENGTH   PROJECTION	n/a
WEIGHT	0.7KG   1.54lbs
LAMPHOLDER	E27 x 1
MAX WATTAGE	6.5W x 1
VOLTAGE	220/240v
IP RATING	65
CLASS PROTECTION	II
SHADE	GL187
FLEX   BAR   CHAIN LENGT	100cm   40"
CABLE TYPE	MLOCA002   2 Core Round   Black Braid   Rubber

Fixing Bracket MLROSE39 | Antique Silver



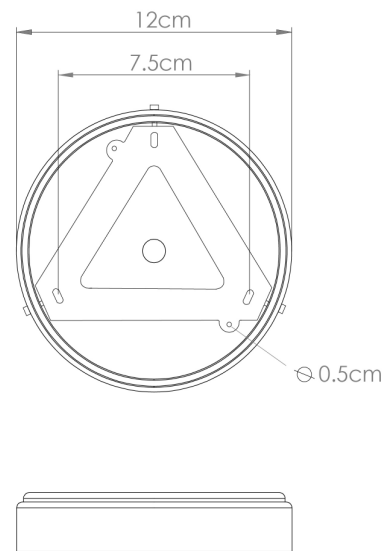
Product Notes:

1) Lamps not included with light fixture. 2) All products are individually hand crafted, therefore may differ slightly within manufacturing tolerances. 3) Please refer to: <http://www.mullanlighting.com/terms> for full list of Terms & Conditions. 4) Cable/Chain can be shortened during installation. 5) Longer Cable/Chain available on request. 6) Additional colour finishes available on request. 7) Dimensions do not include lamps. 8) Products wired to UL standards will operate at 110/120v with the appropriate lampholders.



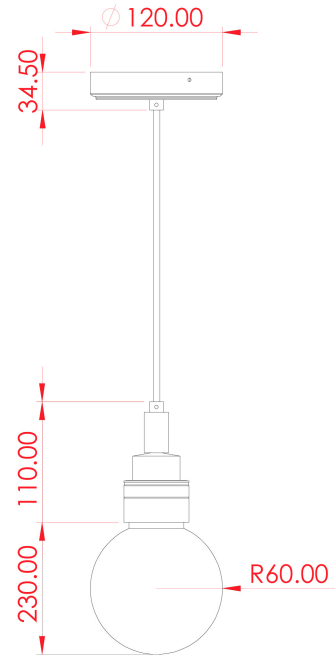
MATERIAL	Brass  Glass
HEIGHT	23cm   9.06"
WIDTH   DIAMETER	13.5cm   5.31"
LENGTH   PROJECTION	n/a
WEIGHT	0.7KG   1.54lbs
LAMPHOLDER	E27 x 1
MAX WATTAGE	6.5W x 1
VOLTAGE	220/240v
IP RATING	65
CLASS PROTECTION	II
SHADE	GL188
FLEX   BAR   CHAIN LENGT	100cm   40"
CABLE TYPE	MLOCA002   2 Core Round   Black Braid   Rubber

Fixing Bracket MLROSE39 | Antique Silver



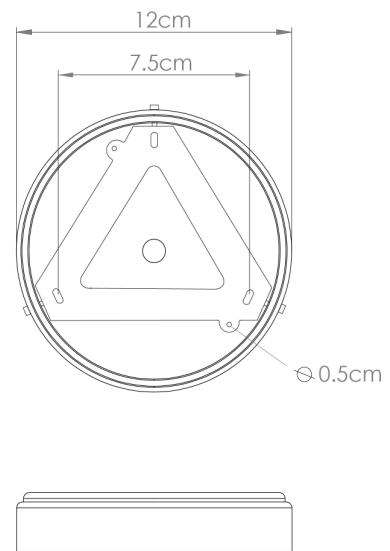
Product Notes:

1) Lamps not included with light fixture. 2) All products are individually hand crafted, therefore may differ slightly within manufacturing tolerances. 3) Please refer to: <http://www.mullanlighting.com/terms> for full list of Terms & Conditions. 4) Cable/Chain can be shortened during installation. 5) Longer Cable/Chain available on request. 6) Additional colour finishes available on request. 7.) Dimensions do not include lamps. 8.) Products wired to UL standards will operate at 110/120v with the appropriate lampholders.



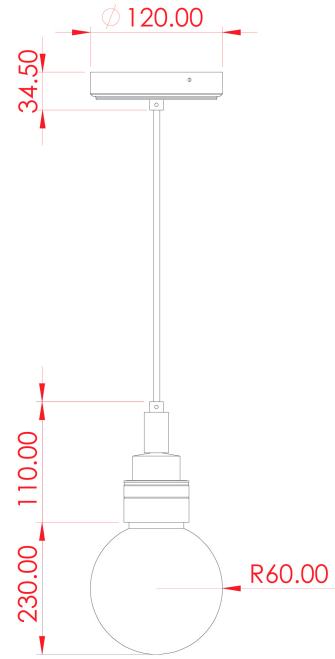
MATERIAL	Brass  Glass
HEIGHT	23cm   9.06"
WIDTH   DIAMETER	13.5cm   5.31"
LENGTH   PROJECTION	n/a
WEIGHT	0.7KG   1.54lbs
LAMPHOLDER	E27 x 1
MAX WATTAGE	6.5W x 1
VOLTAGE	220/240v
IP RATING	65
CLASS PROTECTION	II
SHADE	GL186
FLEX   BAR   CHAIN LENGT	100cm   40"
CABLE TYPE	MLOCA002   2 Core Round   Black Braid   Rubber

Fixing Bracket MLROSE39 | Natural Brass



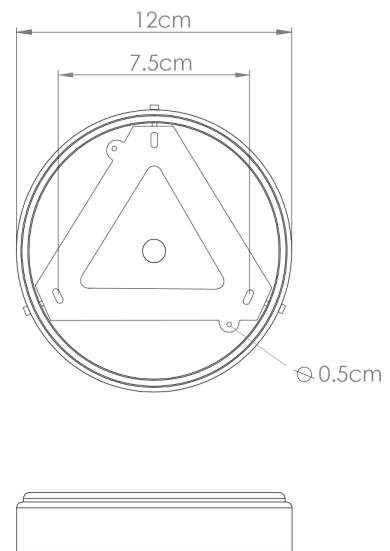
Product Notes:

1) Lamps not included with light fixture. 2) All products are individually hand crafted, therefore may differ slightly within manufacturing tolerances. 3) Please refer to: <http://www.mullanlighting.com/terms> for full list of Terms & Conditions. 4) Cable/Chain can be shortened during installation. 5) Longer Cable/Chain available on request. 6) Additional colour finishes available on request. 7.) Dimensions do not include lamps. 8.) Products wired to UL standards will operate at 110/120v with the appropriate lampholders.



MATERIAL	Brass  Glass
HEIGHT	23cm   9.06"
WIDTH   DIAMETER	13.5cm   5.31"
LENGTH   PROJECTION	n/a
WEIGHT	0.7KG   1.54lbs
LAMPHOLDER	E27 x 1
MAX WATTAGE	6.5W x 1
VOLTAGE	220/240v
IP RATING	65
CLASS PROTECTION	II
SHADE	GL187
FLEX   BAR   CHAIN LENGT	100cm   40"
CABLE TYPE	MLOCA002   2 Core Round   Black Braid   Rubber

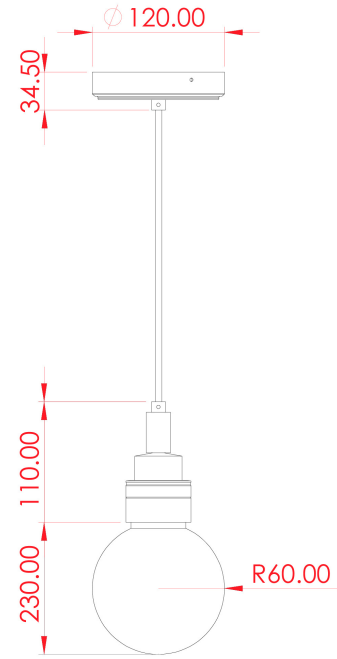
Fixing Bracket MLROSE39 | Natural Brass



Product Notes:

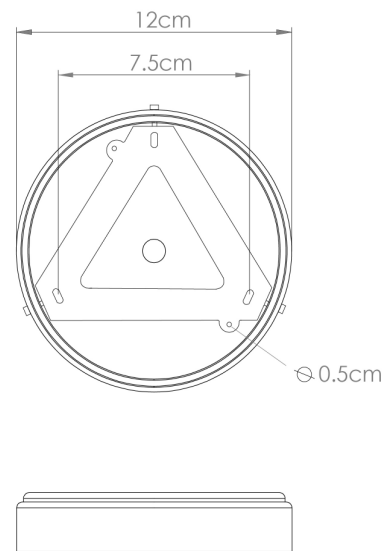
1) Lamps not included with light fixture. 2) All products are individually hand crafted, therefore may differ slightly within manufacturing tolerances. 3) Please refer to: <http://www.mullanlighting.com/terms> for full list of Terms & Conditions. 4) Cable/Chain can be shortened during installation. 5) Longer Cable/Chain available on request. 6) Additional colour finishes available on request. 7.) Dimensions do not include lamps. 8.) Products wired to UL standards will operate at 110/120v with the appropriate lampholders.





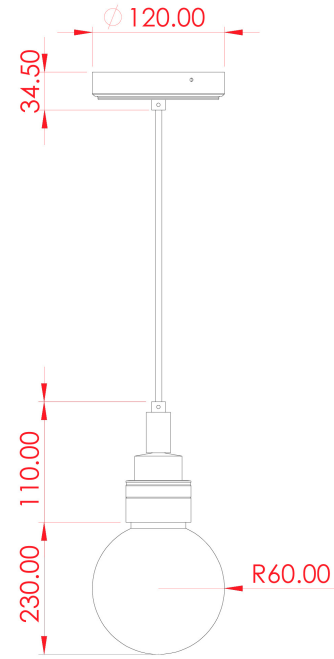
MATERIAL	Brass  Glass
HEIGHT	23cm   9.06"
WIDTH   DIAMETER	13.5cm   5.31"
LENGTH   PROJECTION	n/a
WEIGHT	0.7KG   1.54lbs
LAMPHOLDER	E27 x 1
MAX WATTAGE	6.5W x 1
VOLTAGE	220/240v
IP RATING	65
CLASS PROTECTION	II
SHADE	GL188
FLEX   BAR   CHAIN LENGT	100cm   40"
CABLE TYPE	MLOCA002   2 Core Round   Black Braid   Rubber

Fixing Bracket MLROSE39 | Natural Brass



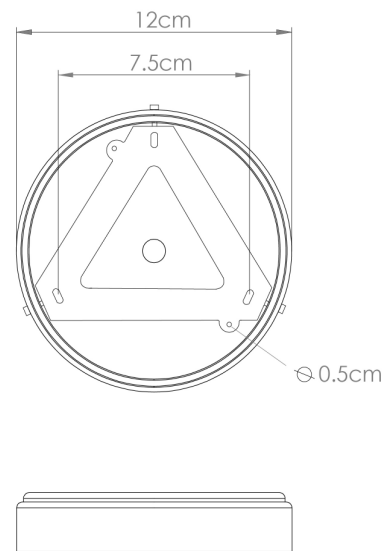
Product Notes:

1) Lamps not included with light fixture. 2) All products are individually hand crafted, therefore may differ slightly within manufacturing tolerances. 3) Please refer to: <http://www.mullanlighting.com/terms> for full list of Terms & Conditions. 4) Cable/Chain can be shortened during installation. 5) Longer Cable/Chain available on request. 6) Additional colour finishes available on request. 7.) Dimensions do not include lamps. 8.) Products wired to UL standards will operate at 110/120v with the appropriate lampholders.



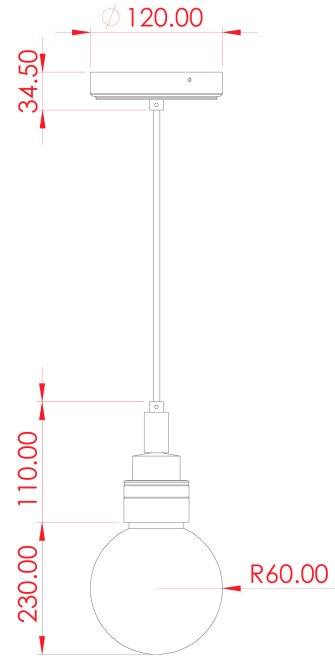
MATERIAL	Brass  Glass
HEIGHT	23cm   9.06"
WIDTH   DIAMETER	13.5cm   5.31"
LENGTH   PROJECTION	n/a
WEIGHT	0.7KG   1.54lbs
LAMPHOLDER	E27 x 1
MAX WATTAGE	6.5W x 1
VOLTAGE	220/240v
IP RATING	65
CLASS PROTECTION	II
SHADE	GL186
FLEX   BAR   CHAIN LENGT	100cm   40"
CABLE TYPE	MLOCA002   2 Core Round   Black Braid   Rubber

Fixing Bracket MLROSE39 | Matt Black



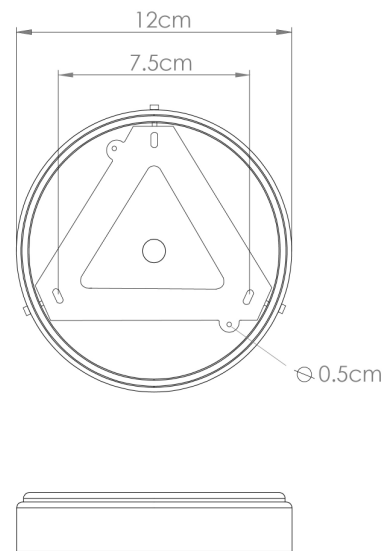
Product Notes:

1) Lamps not included with light fixture. 2) All products are individually hand crafted, therefore may differ slightly within manufacturing tolerances. 3) Please refer to: <http://www.mullanlighting.com/terms> for full list of Terms & Conditions. 4) Cable/Chain can be shortened during installation. 5) Longer Cable/Chain available on request. 6) Additional colour finishes available on request. 7.) Dimensions do not include lamps. 8.) Products wired to UL standards will operate at 110/120v with the appropriate lampholders.



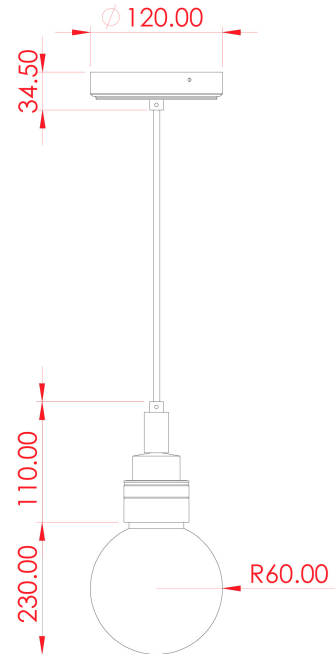
MATERIAL	Brass  Glass
HEIGHT	23cm   9.06"
WIDTH   DIAMETER	13.5cm   5.31"
LENGTH   PROJECTION	n/a
WEIGHT	0.7KG   1.54lbs
LAMPHOLDER	E27 x 1
MAX WATTAGE	6.5W x 1
VOLTAGE	220/240v
IP RATING	65
CLASS PROTECTION	II
SHADE	GL186
FLEX   BAR   CHAIN LENGT	100cm   40"
CABLE TYPE	MLOCA002   2 Core Round   Black Braid   Rubber

Fixing Bracket MLROSE39 | Matt Black



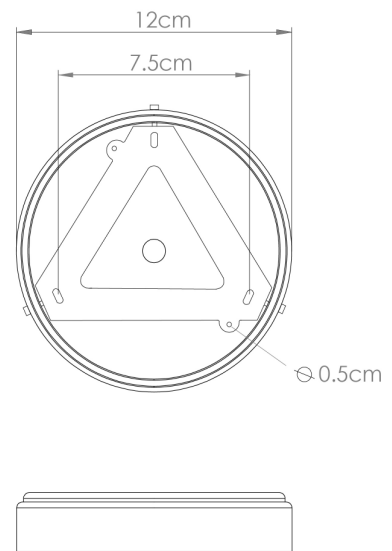
Product Notes:

1) Lamps not included with light fixture. 2) All products are individually hand crafted, therefore may differ slightly within manufacturing tolerances. 3) Please refer to: <http://www.mullanlighting.com/terms> for full list of Terms & Conditions. 4) Cable/Chain can be shortened during installation. 5) Longer Cable/Chain available on request. 6) Additional colour finishes available on request. 7.) Dimensions do not include lamps. 8.) Products wired to UL standards will operate at 110/120v with the appropriate lampholders.



MATERIAL	Brass  Glass
HEIGHT	23cm   9.06"
WIDTH   DIAMETER	13.5cm   5.31"
LENGTH   PROJECTION	n/a
WEIGHT	0.7KG   1.54lbs
LAMPHOLDER	E27 x 1
MAX WATTAGE	6.5W x 1
VOLTAGE	220/240v
IP RATING	65
CLASS PROTECTION	II
SHADE	GL188
FLEX   BAR   CHAIN LENGT	100cm   40"
CABLE TYPE	MLOCA002   2 Core Round   Black Braid   Rubber

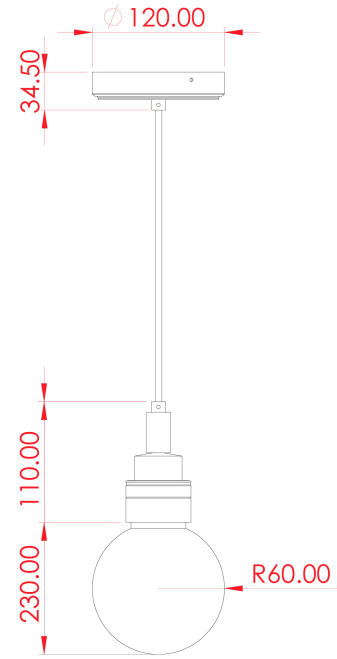
Fixing Bracket MLROSE39 | Matt Black



Product Notes:

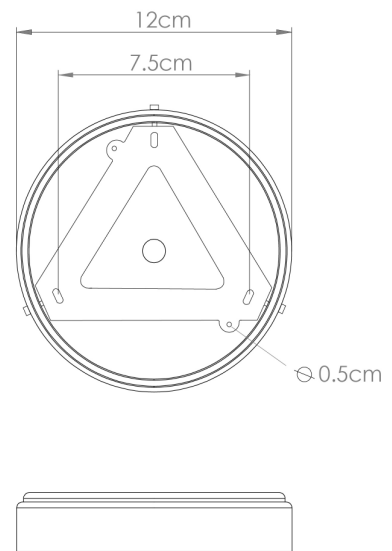
1) Lamps not included with light fixture. 2) All products are individually hand crafted, therefore may differ slightly within manufacturing tolerances. 3) Please refer to: <http://www.mullanlighting.com/terms> for full list of Terms & Conditions. 4) Cable/Chain can be shortened during installation. 5) Longer Cable/Chain available on request. 6) Additional colour finishes available on request. 7.) Dimensions do not include lamps. 8.) Products wired to UL standards will operate at 110/120v with the appropriate lampholders.





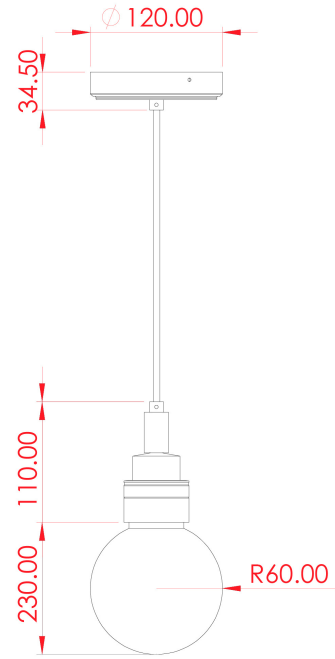
MATERIAL	Brass  Glass
HEIGHT	23cm   9.06"
WIDTH   DIAMETER	13.5cm   5.31"
LENGTH   PROJECTION	n/a
WEIGHT	0.7KG   1.54lbs
LAMPHOLDER	E27 x 1
MAX WATTAGE	6.5W x 1
VOLTAGE	220/240v
IP RATING	65
CLASS PROTECTION	II
SHADE	GL186
FLEX   BAR   CHAIN LENGT	100cm   40"
CABLE TYPE	MLOCA002   2 Core Round   Black Braid   Rubber

Fixing Bracket MLROSE39 | White



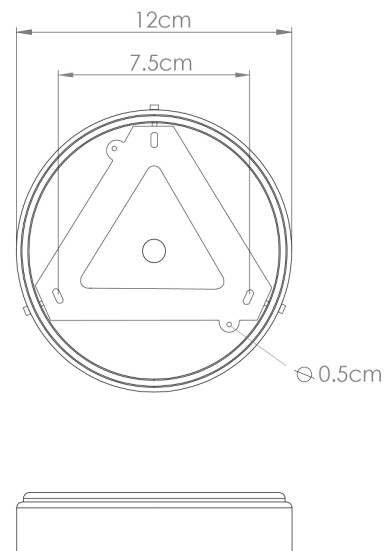
Product Notes:

1) Lamps not included with light fixture. 2) All products are individually hand crafted, therefore may differ slightly within manufacturing tolerances. 3) Please refer to: <http://www.mullanlighting.com/terms> for full list of Terms & Conditions. 4) Cable/Chain can be shortened during installation. 5) Longer Cable/Chain available on request. 6) Additional colour finishes available on request. 7.) Dimensions do not include lamps. 8.) Products wired to UL standards will operate at 110/120v with the appropriate lampholders.



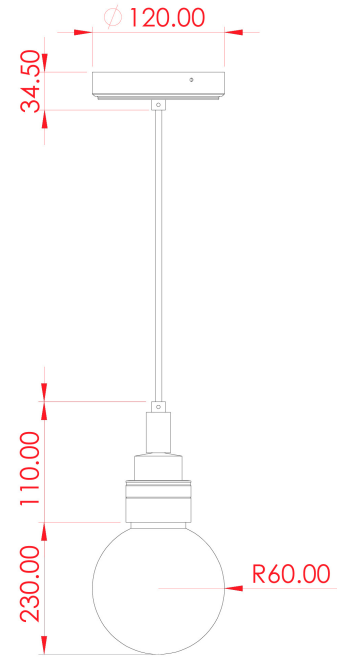
MATERIAL	Brass  Glass
HEIGHT	23cm   9.06"
WIDTH   DIAMETER	13.5cm   5.31"
LENGTH   PROJECTION	n/a
WEIGHT	0.7KG   1.54lbs
LAMPHOLDER	E27 x 1
MAX WATTAGE	6.5W x 1
VOLTAGE	220/240v
IP RATING	65
CLASS PROTECTION	II
SHADE	GL187
FLEX   BAR   CHAIN LENGT	100cm   40"
CABLE TYPE	MLOCA002   2 Core Round   Black Braid   Rubber

Fixing Bracket MLROSE39 | White



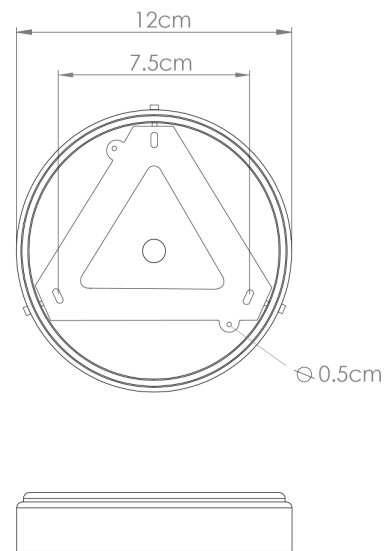
Product Notes:

- 1) Lamps not included with light fixture.
- 2) All products are individually hand crafted, therefore may differ slightly within manufacturing tolerances.
- 3) Please refer to: <http://www.mullanlighting.com/terms> for full list of Terms & Conditions.
- 4) Cable/Chain can be shortened during installation.
- 5) Longer Cable/Chain available on request.
- 6) Additional colour finishes available on request.
- 7) Dimensions do not include lamps.
- 8) Products wired to UL standards will operate at 110/120v with the appropriate lampholders.



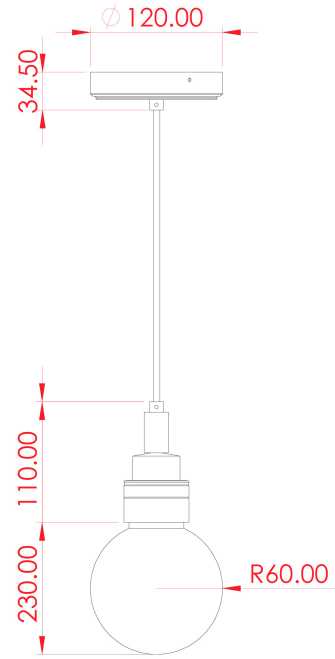
MATERIAL	Brass   Glass
HEIGHT	23cm   9.06"
WIDTH   DIAMETER	13.5cm   5.31"
LENGTH   PROJECTION	n/a
WEIGHT	0.7KG   1.54lbs
LAMPHOLDER	E27 x 1
MAX WATTAGE	6.5W x 1
VOLTAGE	220/240v
IP RATING	65
CLASS PROTECTION	II
SHADE	GL188
FLEX   BAR   CHAIN LENGT	100cm   40"
CABLE TYPE	MLOCA002   2 Core Round   Black Braid   Rubber

Fixing Bracket MLROSE39 | White



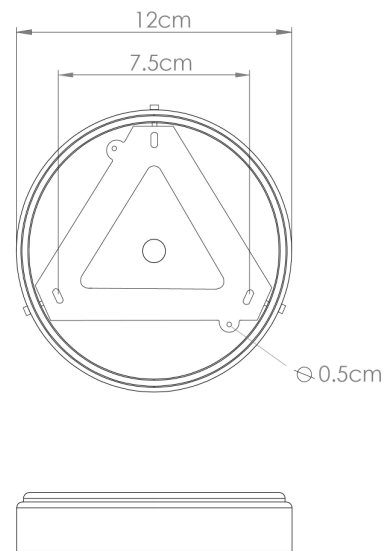
Product Notes:

1) Lamps not included with light fixture. 2) All products are individually hand crafted, therefore may differ slightly within manufacturing tolerances. 3) Please refer to: <http://www.mullanlighting.com/terms> for full list of Terms & Conditions. 4) Cable/Chain can be shortened during installation. 5) Longer Cable/Chain available on request. 6) Additional colour finishes available on request. 7.) Dimensions do not include lamps. 8.) Products wired to UL standards will operate at 110/120v with the appropriate lampholders.



MATERIAL	Brass  Glass
HEIGHT	23cm   9.06"
WIDTH   DIAMETER	13.5cm   5.31"
LENGTH   PROJECTION	n/a
WEIGHT	0.7KG   1.54lbs
LAMPHOLDER	E27 x 1
MAX WATTAGE	6.5W x 1
VOLTAGE	220/240v
IP RATING	65
CLASS PROTECTION	II
SHADE	GL186
FLEX   BAR   CHAIN LENGT	100cm   40"
CABLE TYPE	MLOCA002   2 Core Round   Black Braid   Rubber

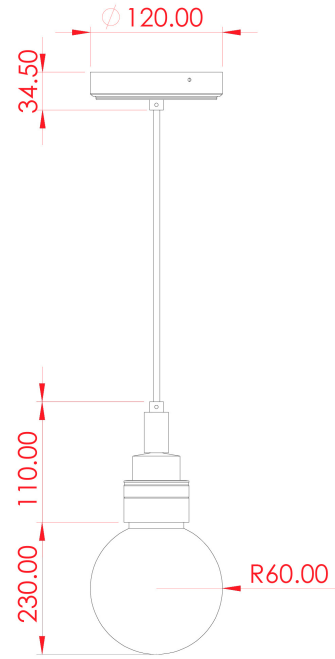
Fixing Bracket MLROSE39 | Polished Brass



Product Notes:

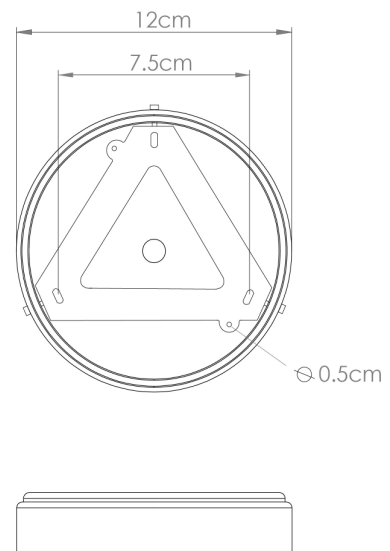
1) Lamps not included with light fixture. 2) All products are individually hand crafted, therefore may differ slightly within manufacturing tolerances. 3) Please refer to: <http://www.mullanlighting.com/terms> for full list of Terms & Conditions. 4) Cable/Chain can be shortened during installation. 5) Longer Cable/Chain available on request. 6) Additional colour finishes available on request. 7) Dimensions do not include lamps. 8) Products wired to UL standards will operate at 110/120v with the appropriate lampholders.





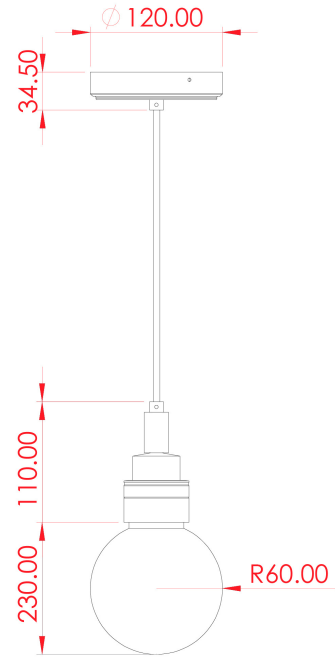
MATERIAL	Brass  Glass
HEIGHT	23cm   9.06"
WIDTH   DIAMETER	13.5cm   5.31"
LENGTH   PROJECTION	n/a
WEIGHT	0.7KG   1.54lbs
LAMPHOLDER	E27 x 1
MAX WATTAGE	6.5W x 1
VOLTAGE	220/240v
IP RATING	65
CLASS PROTECTION	II
SHADE	GL187
FLEX   BAR   CHAIN LENGT	100cm   40"
CABLE TYPE	MLOCA002   2 Core Round   Black Braid   Rubber

Fixing Bracket MLROSE39 | Polished Brass



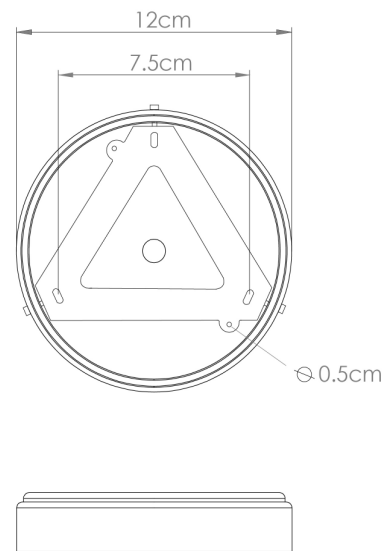
Product Notes:

1) Lamps not included with light fixture. 2) All products are individually hand crafted, therefore may differ slightly within manufacturing tolerances. 3) Please refer to: <http://www.mullanlighting.com/terms> for full list of Terms & Conditions. 4) Cable/Chain can be shortened during installation. 5) Longer Cable/Chain available on request. 6) Additional colour finishes available on request. 7.) Dimensions do not include lamps. 8.) Products wired to UL standards will operate at 110/120v with the appropriate lampholders.



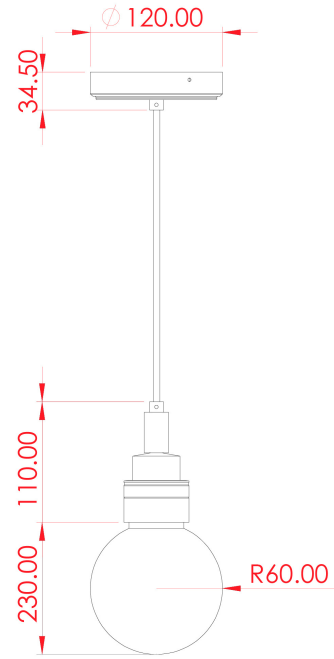
MATERIAL	Brass  Glass
HEIGHT	23cm   9.06"
WIDTH   DIAMETER	13.5cm   5.31"
LENGTH   PROJECTION	n/a
WEIGHT	0.7KG   1.54lbs
LAMPHOLDER	E27 x 2
MAX WATTAGE	6.5W x 2
VOLTAGE	220/240v
IP RATING	65
CLASS PROTECTION	II
SHADE	GL188
FLEX   BAR   CHAIN LENGT	100cm   40"
CABLE TYPE	MLOCA002   2 Core Round   Black Braid   Rubber

Fixing Bracket MLROSE39 | Polished Brass



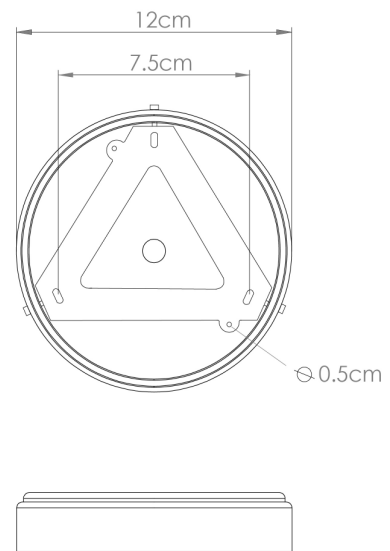
Product Notes:

1) Lamps not included with light fixture. 2) All products are individually hand crafted, therefore may differ slightly within manufacturing tolerances. 3) Please refer to: <http://www.mullanlighting.com/terms> for full list of Terms & Conditions. 4) Cable/Chain can be shortened during installation. 5) Longer Cable/Chain available on request. 6) Additional colour finishes available on request. 7.) Dimensions do not include lamps. 8.) Products wired to UL standards will operate at 110/120v with the appropriate lampholders.



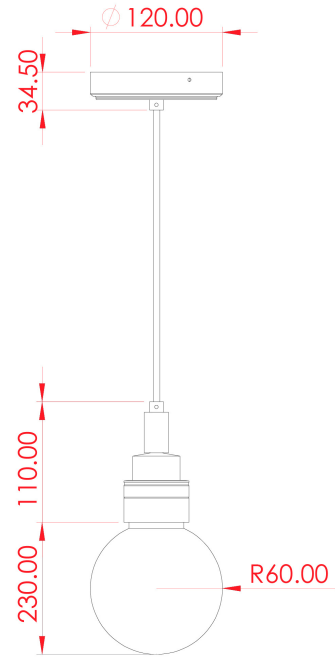
MATERIAL	Brass   Glass
HEIGHT	23cm   9.06"
WIDTH   DIAMETER	13.5cm   5.31"
LENGTH   PROJECTION	n/a
WEIGHT	0.7KG   1.54lbs
LAMPHOLDER	E27 x 2
MAX WATTAGE	6.5W x 2
VOLTAGE	220/240v
IP RATING	65
CLASS PROTECTION	II
SHADE	GL186
FLEX   BAR   CHAIN LENGT	100cm   40"
CABLE TYPE	MLOCA002   2 Core Round   Black Braid   Rubber

Fixing Bracket MLROSE39 | Satin Brass



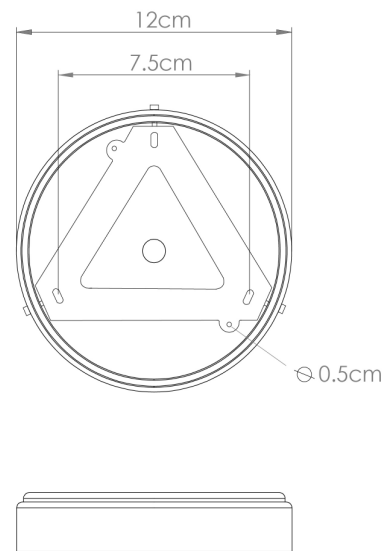
Product Notes:

1) Lamps not included with light fixture. 2) All products are individually hand crafted, therefore may differ slightly within manufacturing tolerances. 3) Please refer to: <http://www.mullanlighting.com/terms> for full list of Terms & Conditions. 4) Cable/Chain can be shortened during installation. 5) Longer Cable/Chain available on request. 6) Additional colour finishes available on request. 7.) Dimensions do not include lamps. 8.) Products wired to UL standards will operate at 110/120v with the appropriate lampholders.



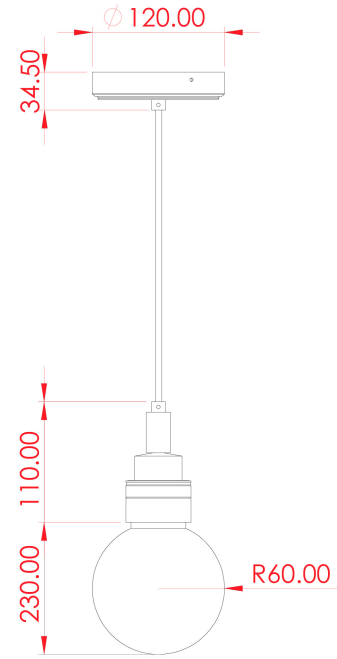
MATERIAL	Brass  Glass
HEIGHT	23cm   9.06"
WIDTH   DIAMETER	13.5cm   5.31"
LENGTH   PROJECTION	n/a
WEIGHT	0.7KG   1.54lbs
LAMPHOLDER	E27 x 1
MAX WATTAGE	6.5W x 1
VOLTAGE	220/240v
IP RATING	65
CLASS PROTECTION	II
SHADE	GL187
FLEX   BAR   CHAIN LENGT	100cm   40"
CABLE TYPE	MLOCA002   2 Core Round   Black Braid   Rubber

Fixing Bracket MLROSE39 | Satin Brass



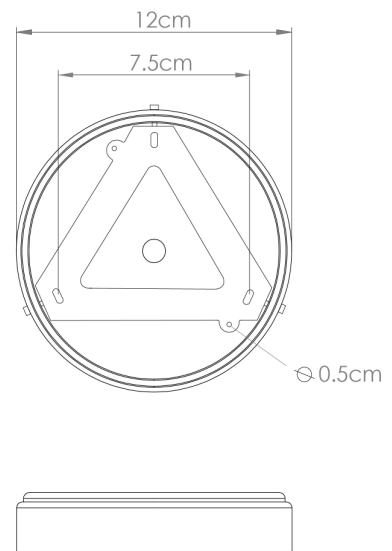
Product Notes:

1) Lamps not included with light fixture. 2) All products are individually hand crafted, therefore may differ slightly within manufacturing tolerances. 3) Please refer to: <http://www.mullanlighting.com/terms> for full list of Terms & Conditions. 4) Cable/Chain can be shortened during installation. 5) Longer Cable/Chain available on request. 6) Additional colour finishes available on request. 7.) Dimensions do not include lamps. 8.) Products wired to UL standards will operate at 110/120v with the appropriate lampholders.



MATERIAL	Brass  Glass
HEIGHT	23cm   9.06"
WIDTH   DIAMETER	13.5cm   5.31"
LENGTH   PROJECTION	n/a
WEIGHT	0.7KG   1.54lbs
LAMPHOLDER	E27 x 1
MAX WATTAGE	6.5W x 1
VOLTAGE	220/240v
IP RATING	65
CLASS PROTECTION	II
SHADE	GL188
FLEX   BAR   CHAIN LENGT	100cm   40"
CABLE TYPE	MLOCA002   2 Core Round   Black Braid   Rubber

Fixing Bracket MLROSE39 | Satin Brass



Product Notes:

1) Lamps not included with light fixture. 2) All products are individually hand crafted, therefore may differ slightly within manufacturing tolerances. 3) Please refer to: <http://www.mullanlighting.com/terms> for full list of Terms & Conditions. 4) Cable/Chain can be shortened during installation. 5) Longer Cable/Chain available on request. 6) Additional colour finishes available on request. 7.) Dimensions do not include lamps. 8.) Products wired to UL standards will operate at 110/120v with the appropriate lampholders.