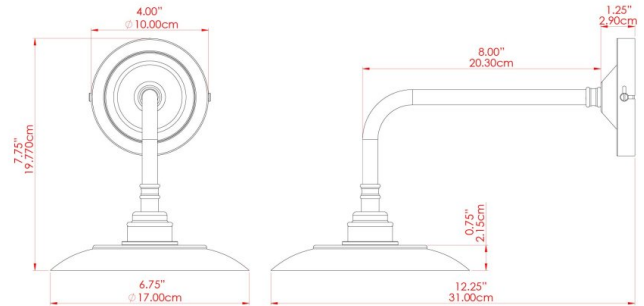


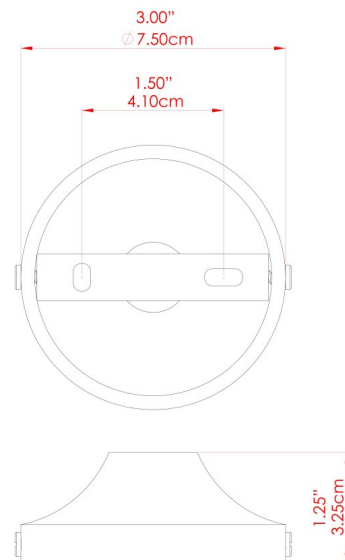
REZNOR Wall Light

MLWL361ANTBRS Antique Brass



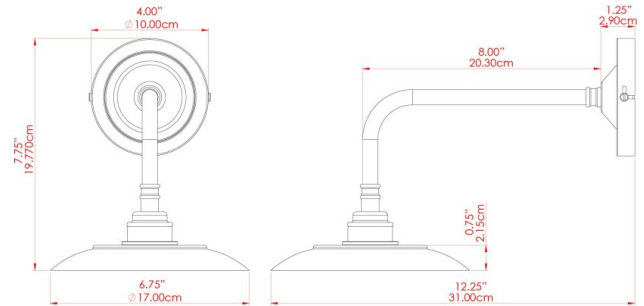
MATERIAL	Brass
HEIGHT	18cm
WIDTH DIAMETER	16cm
LENGTH PROJECTION	31cm
WEIGHT	0.52 kg
LAMPHOLDER	E27
MAX WATTAGE	60W
VOLTAGE	220/240v
IP RATING	IP20
CLASS PROTECTION	Class I
SHADE	-
FLEX BAR CHAIN LENGTH	n/a
CABLE TYPE	-

FIXING BRACKET: MLWB03 | Antique Brass



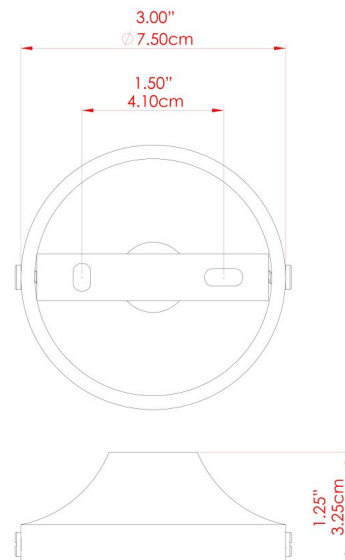
REZNOR Wall Light

MLWL361ANTSLV Antique Silver



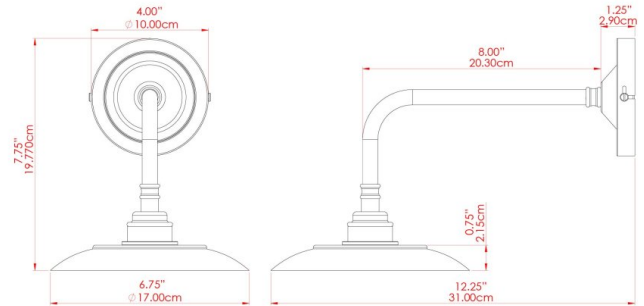
MATERIAL	Brass
HEIGHT	18cm
WIDTH DIAMETER	16cm
LENGTH PROJECTION	31cm
WEIGHT	0.52 kg
LAMPHOLDER	E27
MAX WATTAGE	60W
VOLTAGE	220/240v
IP RATING	IP20
CLASS PROTECTION	Class I
SHADE	-
FLEX BAR CHAIN LENGTH	n/a
CABLE TYPE	-

FIXING BRACKET: MLWB03 | Antique Silver



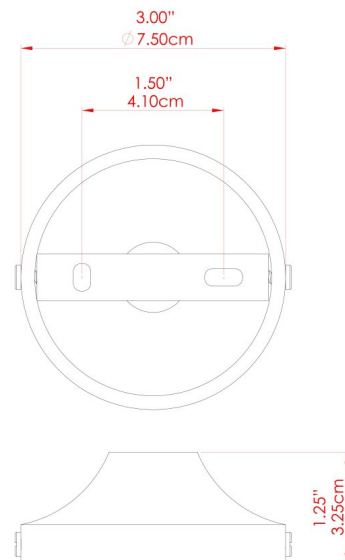
REZNOR Wall Light

MLWL361POLBRS Polished Brass



MATERIAL	Brass
HEIGHT	18cm
WIDTH DIAMETER	16cm
LENGTH PROJECTION	31cm
WEIGHT	0.52 kg
LAMPHOLDER	E27
MAX WATTAGE	60W
VOLTAGE	220/240v
IP RATING	IP20
CLASS PROTECTION	Class I
SHADE	-
FLEX BAR CHAIN LENGTH	n/a
CABLE TYPE	-

FIXING BRACKET: MLWB03 | Polished Brass



WWW.MULLANLIGHTING.COM

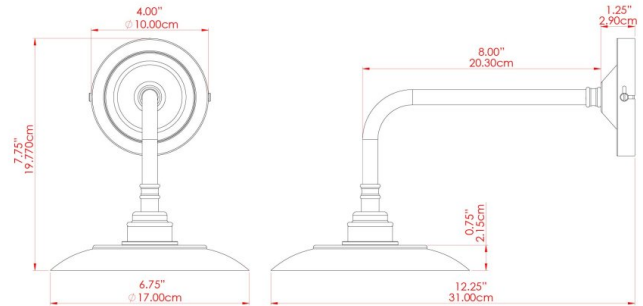
Product Notes:

1) Bulbs not included. 2) Dimensions do not include bulbs. 3) All products are individually made-to-order and therefore may differ slightly within manufacturing tolerances. 4) Cable / chain can be shortened during installation. Longer cable / chain lengths available on request. 5) Additional colour finishes may be available on request. 6) Refer to our website for a full list of terms and conditions.



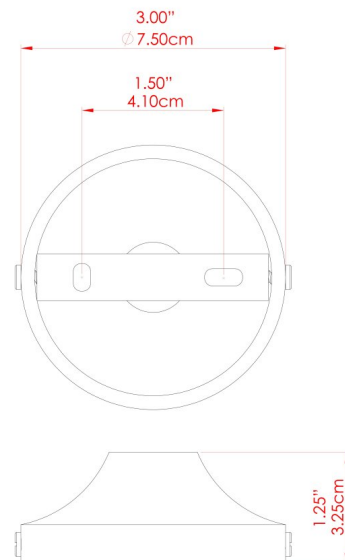
REZNOR Wall Light

MLWL361SATBRS Satin Brass



MATERIAL	Brass
HEIGHT	18cm
WIDTH DIAMETER	16cm
LENGTH PROJECTION	31cm
WEIGHT	0.52 kg
LAMPHOLDER	E27
MAX WATTAGE	60W
VOLTAGE	220/240v
IP RATING	IP20
CLASS PROTECTION	Class I
SHADE	-
FLEX BAR CHAIN LENGTH	n/a
CABLE TYPE	-

FIXING BRACKET: MLWB03 | Satin Brass



WWW.MULLANLIGHTING.COM

Product Notes:

1) Bulbs not included. 2) Dimensions do not include bulbs. 3) All products are individually made-to-order and therefore may differ slightly within manufacturing tolerances. 4) Cable / chain can be shortened during installation. Longer cable / chain lengths available on request. 5) Additional colour finishes may be available on request. 6) Refer to our website for a full list of terms and conditions.

