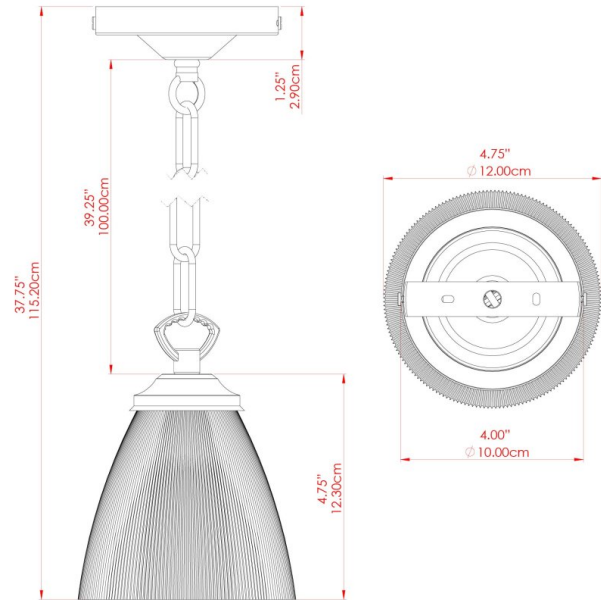


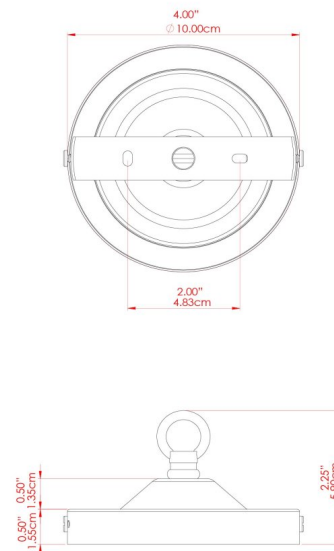
GADAR Pendant

MLP389ANTBRS Antique Brass



MATERIAL	Brass Steel Glass
HEIGHT	16cm
WIDTH DIAMETER	12cm
LENGTH PROJECTION	n/a
WEIGHT	0.74 kg
LAMPHOLDER	E14
MAX WATTAGE	40W
VOLTAGE	220/240v
IP RATING	IP20
CLASS PROTECTION	Class I
SHADE	GL117
FLEX BAR CHAIN LENGTH	100cm
CABLE TYPE	MLCA010 Brown PVC Flexible Cable 2 Core

FIXING BRACKET: MLROSE05HOOK | Antique Brass



WWW.MULLANLIGHTING.COM

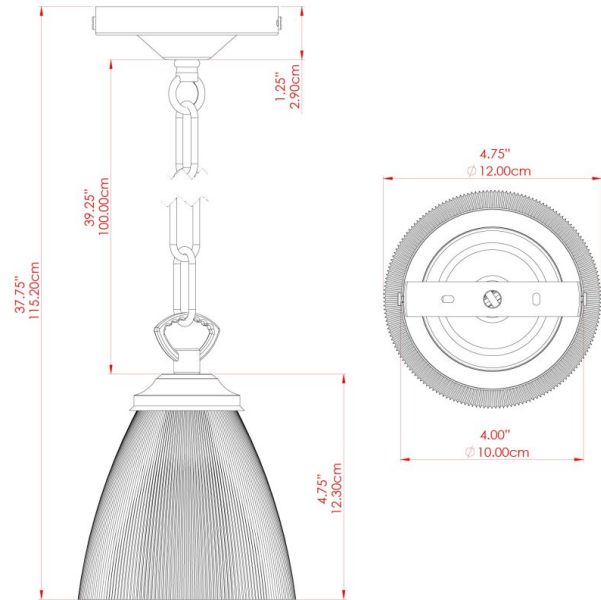
Product Notes:

1) Bulbs not included. 2) Dimensions do not include bulbs. 3) All products are individually made-to-order and therefore may differ slightly within manufacturing tolerances. 4) Cable / chain can be shortened during installation. Longer cable / chain lengths available on request. 5) Additional colour finishes may be available on request. 6) Refer to our website for a full list of terms and conditions.



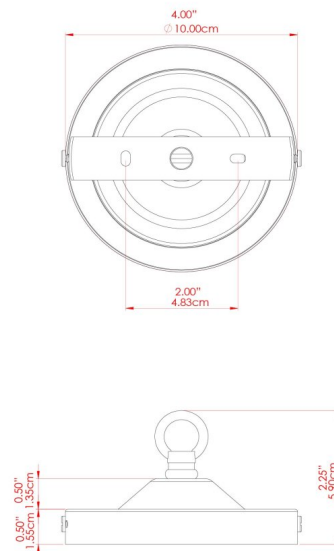
GADAR Pendant

MLP389ANTSLV Antique Silver



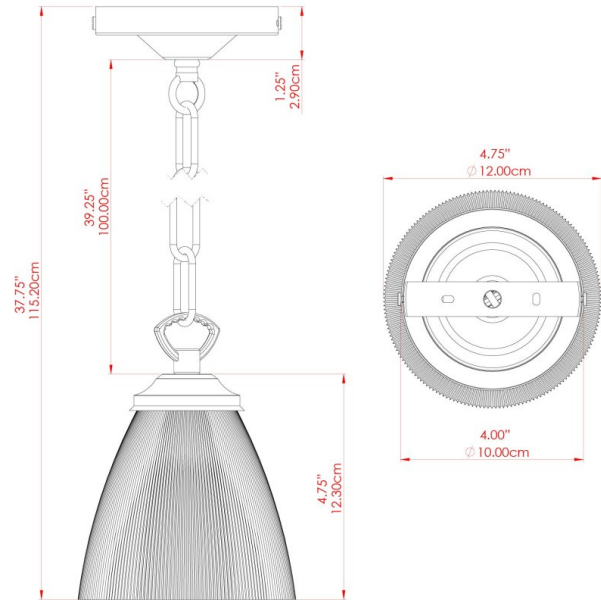
MATERIAL	Brass Steel Glass
HEIGHT	16cm
WIDTH DIAMETER	12cm
LENGTH PROJECTION	n/a
WEIGHT	0.74 kg
LAMPHOLDER	E14
MAX WATTAGE	40W
VOLTAGE	220/240v
IP RATING	IP20
CLASS PROTECTION	Class I
SHADE	GL117
FLEX BAR CHAIN LENGTH	100cm
CABLE TYPE	MLCA014 Clear PVC Flexible Cable 2 Core

FIXING BRACKET: MLROSE05HOOK | Antique Silver



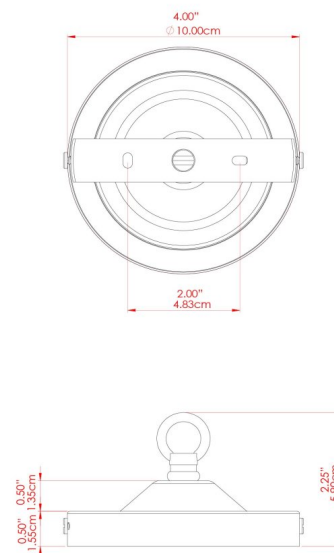
GADAR Pendant

MLP389POLBRS Polished Brass



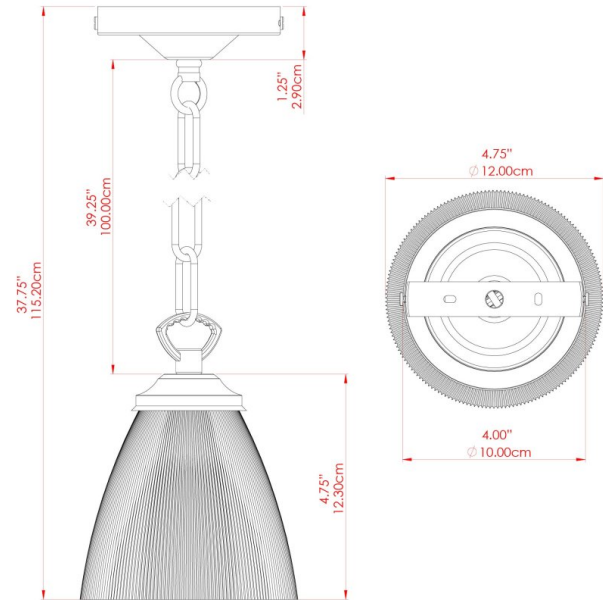
MATERIAL	Brass Steel Glass
HEIGHT	16cm
WIDTH DIAMETER	12cm
LENGTH PROJECTION	n/a
WEIGHT	0.74 kg
LAMPHOLDER	E14
MAX WATTAGE	40W
VOLTAGE	220/240v
IP RATING	IP20
CLASS PROTECTION	Class I
SHADE	GL117
FLEX BAR CHAIN LENGTH	100cm
CABLE TYPE	MLCA038 Gold PVC Flexible Cable 2 Core

FIXING BRACKET: MLROSE05HOOK | Polished Brass



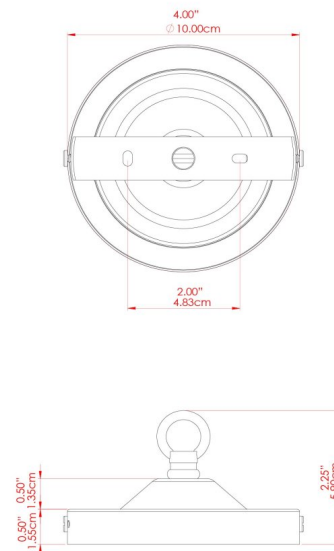
GADAR Pendant

MLP389POLCHR Polished Chrome



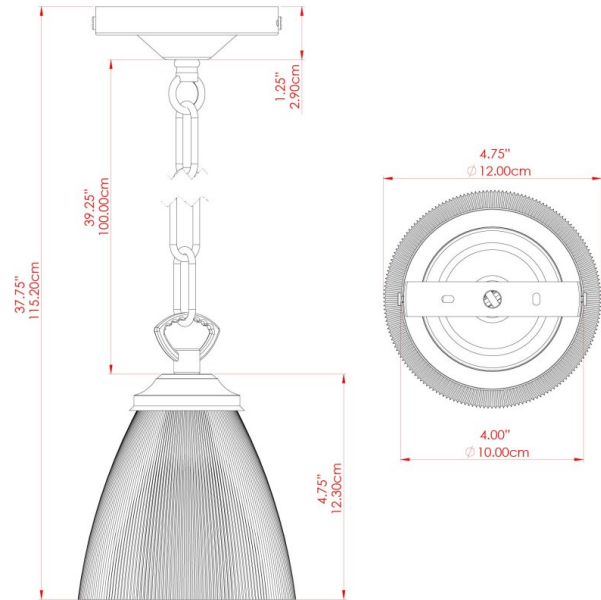
MATERIAL	Brass Steel Glass
HEIGHT	16cm
WIDTH DIAMETER	12cm
LENGTH PROJECTION	n/a
WEIGHT	0.74 kg
LAMPHOLDER	E14
MAX WATTAGE	40W
VOLTAGE	220/240v
IP RATING	IP20
CLASS PROTECTION	Class I
SHADE	GL117
FLEX BAR CHAIN LENGTH	100cm
CABLE TYPE	MLCA014 Clear PVC Flexible Cable 2 Core

FIXING BRACKET: MLROSE05HOOK | Polished Chrome



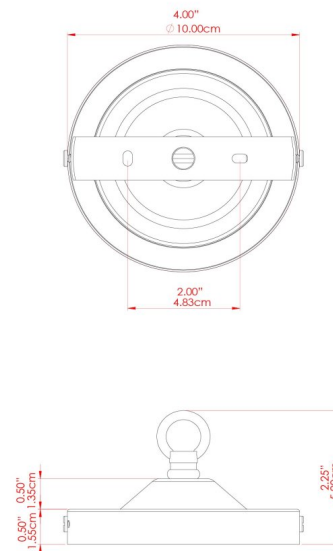
GADAR Pendant

MLP389SATBRS Satin Brass



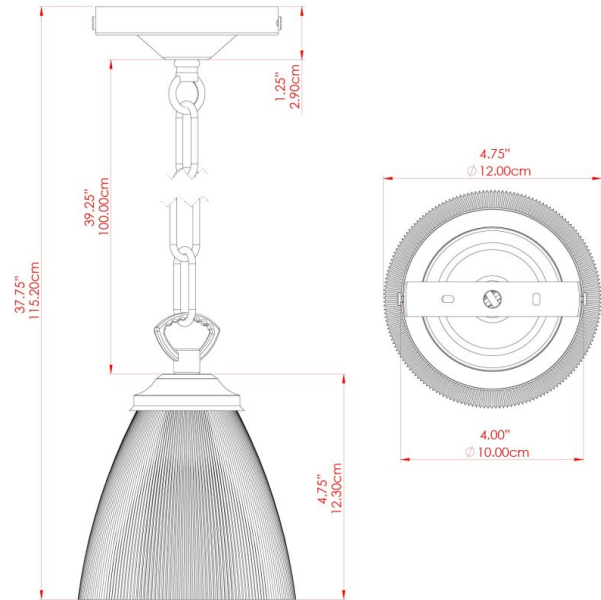
MATERIAL	Brass Steel Glass
HEIGHT	16cm
WIDTH DIAMETER	12cm
LENGTH PROJECTION	n/a
WEIGHT	0.74 kg
LAMPHOLDER	E14
MAX WATTAGE	40W
VOLTAGE	220/240v
IP RATING	IP20
CLASS PROTECTION	Class I
SHADE	GL117
FLEX BAR CHAIN LENGTH	100cm
CABLE TYPE	MLCA038 Gold PVC Flexible Cable 2 Core

FIXING BRACKET: MLROSE05HOOK | Satin Brass



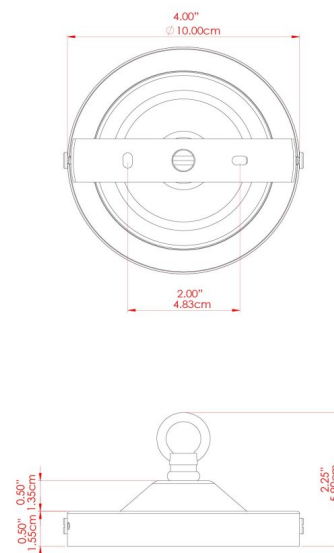
GADAR Pendant

MLP389SATCHR Satin Chrome



MATERIAL	Brass Steel Glass
HEIGHT	16cm
WIDTH DIAMETER	12cm
LENGTH PROJECTION	n/a
WEIGHT	0.74 kg
LAMPHOLDER	E14
MAX WATTAGE	40W
VOLTAGE	220/240v
IP RATING	IP20
CLASS PROTECTION	Class I
SHADE	GL117
FLEX BAR CHAIN LENGTH	100cm
CABLE TYPE	MLCA014 Clear PVC Flexible Cable 2 Core

FIXING BRACKET: MLROSE05HOOK | Satin Chrome



WWW.MULLANLIGHTING.COM

Product Notes:

1) Bulbs not included. 2) Dimensions do not include bulbs. 3) All products are individually made-to-order and therefore may differ slightly within manufacturing tolerances. 4) Cable / chain can be shortened during installation. Longer cable / chain lengths available on request. 5) Additional colour finishes may be available on request. 6) Refer to our website for a full list of terms and conditions.

